

OPTIONAL ACCESSORIES

MASTER PALLET (Base Plate)

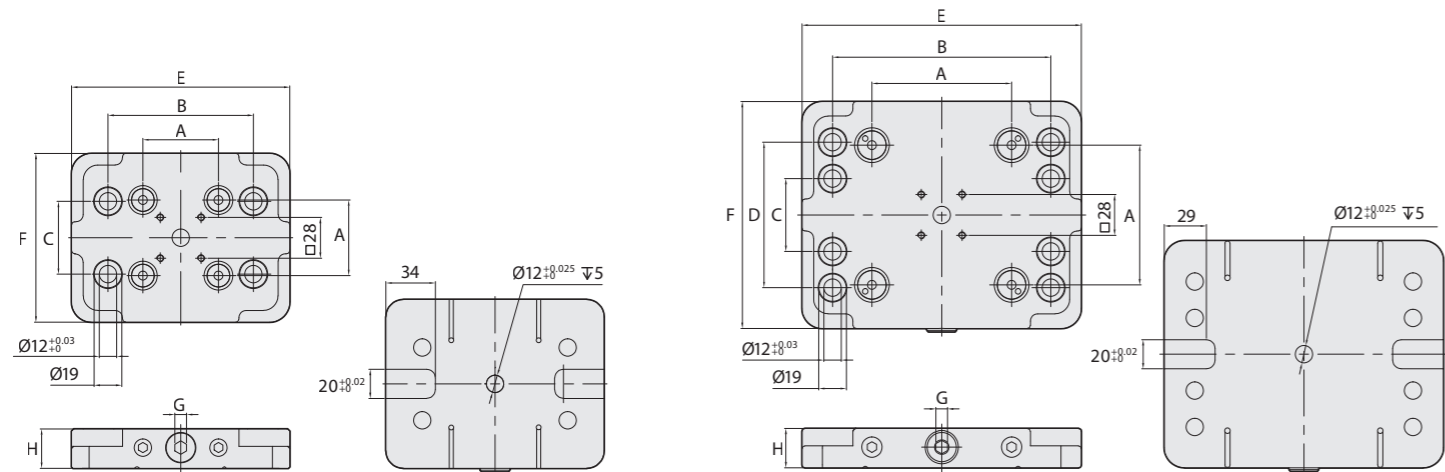
Model: M-52x52, M-96x96



M-52x52
 • Suitable for
 ASC-75x115
 ASC-100x125
 ASC-100x200



M-96x96
 • Suitable for
 ASC-130x195
 ASC-130x250
 ASC-160x300



SPECIFICATIONS Unit: mm

Model	A	B	C	D	E	F	G	H	Weight (kg)
M-52x52	52±0.01	100±0.01	50±0.01	-	150	116	8	27±0.01	3
M-96x96	96±0.01	150±0.01	50±0.01	100±0.01	192	156	8	27±0.01	5.5

Pull Stud (for M-52x52)

Model: M-52x52PS
 • 4pcs / set
 • Weight: 0.16 kg / set



Pull Stud (for M-96x96)

Model: M-96x96PS
 • 4pcs / set
 • Weight: 0.28 kg / set



FIVE-AXIS ADJUSTABLE SELF-CENTERING VISE

Significantly upgrade CNC 5-Axis Machines



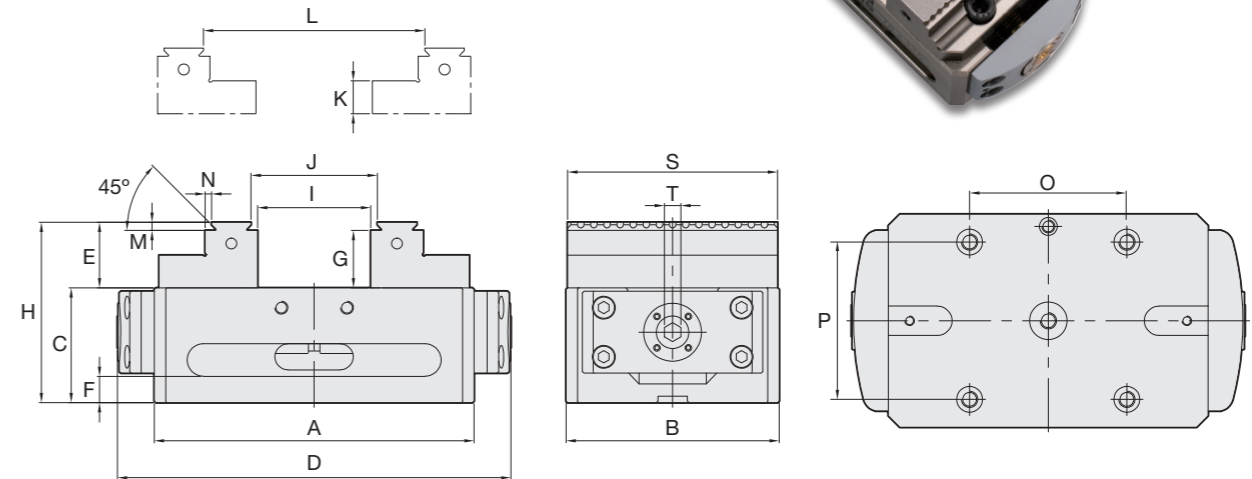
- Special 45° dovetail structure with teeth
- The patented calibration system can regulate clamping center easily and rapidly

FIVE-AXIS ADJUSTABLE SELF-CENTERING VISE

PATENTED

Model: ASC-75x115
 ASC-100x125, 100x200
 ASC-130x195, 130x250
 ASC-160x300

1. Vise body is made of **High quality Steel (S50C)** and its slideways gone through high-frequency hardening to achieve **HRC50°**, which makes the whole part durable.
2. Detachable jaws are made of **High quality Tool Steel (SCM440)** and gone through carburizing to achieve **HRC55°**. Since both sides are fixed size and able to be used as a datum, users can reverse them to increase clamping range.
3. The vise's clamping force can achieve **1300KG**, the repeatability positioning precision of its clamping center is within **0.015mm**.
4. With the patented center positioning threaded pin and the copper ring calibration structure, users can regulate clamping center easily and rapidly.
5. The **45° dovetail structure with teeth** on the upper jaw ensures the bottom of the workpiece to be firmly clamped.



SPECIFICATIONS (Material: Vise body S50C: HRC50° / Detachable Jaws SCM440: HRC55°)

Unit: mm

Model	A	B	C	D	E	F	G	H	I	J
ASC-75x115	115	77	43	142	27	10	24	70	40	45
ASC-100x125	125	102	47	159	30	12	27	77	50	55
ASC-100x200	200	102	47	234	30	12	27	77	125	130
ASC-130x195	195	130	65	240	40	16	35	105	84	90
ASC-130x250	250	130	65	295	40	16	35	105	139	145
ASC-160x300	300	160	65	345	40	16	35	105	189	195

Model	K	L	M	N	O	P	S	T	Weight (kg)
ASC-75x115	17	39-81	3	2.5	52	52	77	8	3.5
ASC-100x125	20	39-91	3	2.5	52	52	100	8	5.5
ASC-100x200	20	39-166	3	2.5	52	52	100	8	9
ASC-130x195	20	60-146	5	3	96	96	128	10	17
ASC-130x250	20	60-201	5	3	96	96	128	10	19
ASC-160x300	20	60-251	5	3	96	96	158	10	27