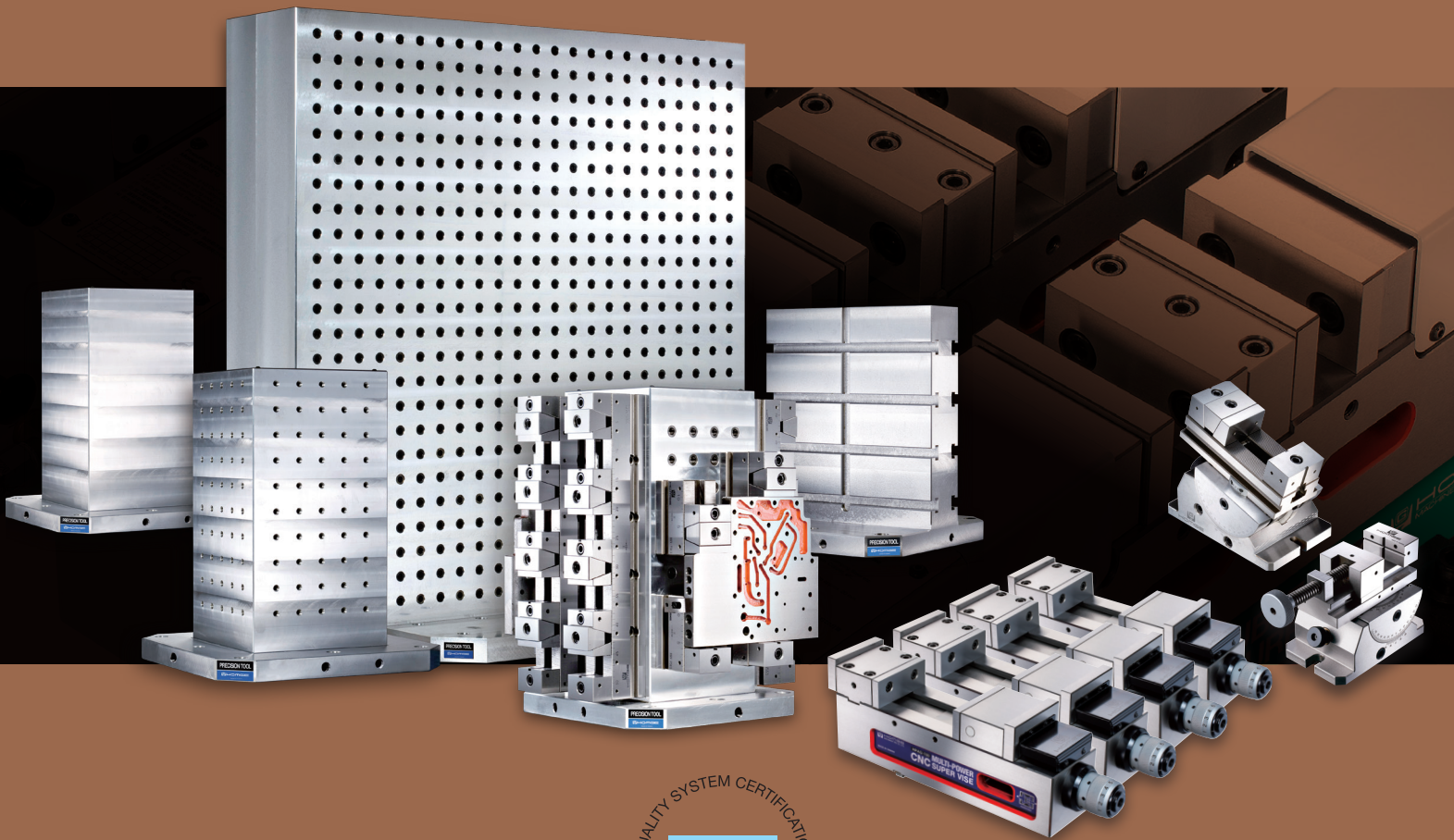




HOMGE

Machine Tool Accessories

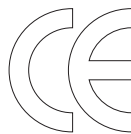


www.homge.com.tw



HOMGE

Quality engineering equipment
enhanced by continual research
and development for long
durability, high accuracy
and efficient operation



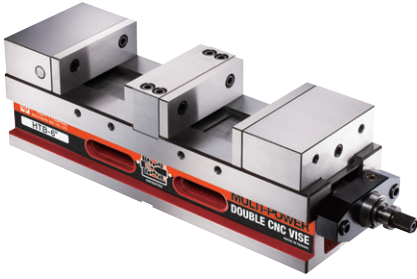
Established in 1978

Manufacturer: Specialist In Milling Accessories



P.16

DOUBLE CNC MULTI-POWER VISE
MODEL: HTB-5", 6", 8"



P.18

DOUBLE CNC PRECISION VISE
MODEL: HDL-4", 6"



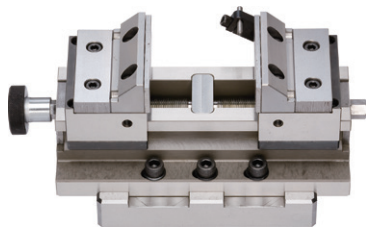
P.19

COMPACT DOUBLE-LOCK VISE
MODEL: CD-4"



P.21

SELF-CENTERING VISE
MODEL: S-100, 150, 200



P.22

5-AXIS CLAMP
MODEL: 5AC-20, 26, 34, 20T, 26T, 34T



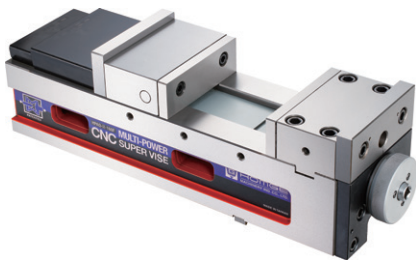
P.24

PNEUMATIC SUPER HI-PRESSURE VISE
MODEL: HBV-4"G, 5"G, 6"G



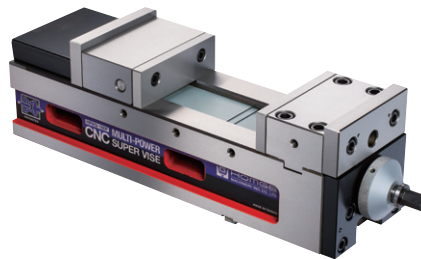
P.34

**MULTI-POWER CNC SUPER VISE
(FRONT-MOUNTING TYPE)**
MODEL: HPAQ-II-160F



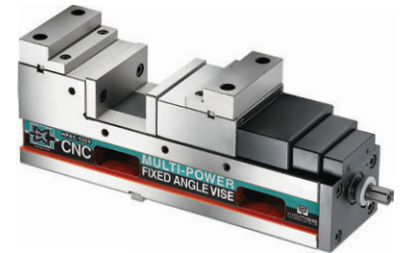
P.35

MULTI-POWER CNC SUPER VISE
MODEL: HPAQ-160F, 200F



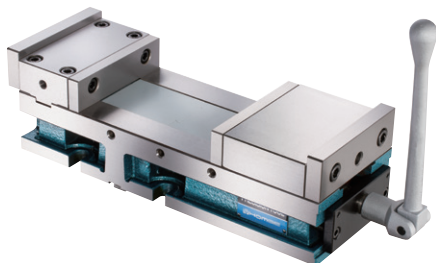
P.36

**MULTI-POWER CNC PRECISION
FIXED ANGLE VISE**
MODEL: HPAC-100S, 130S, 160S



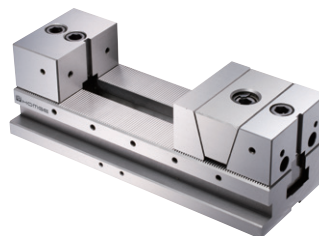
P.46

CNC PRECISION VECTOR VISE
MODEL: HVV-4", 6", 8"



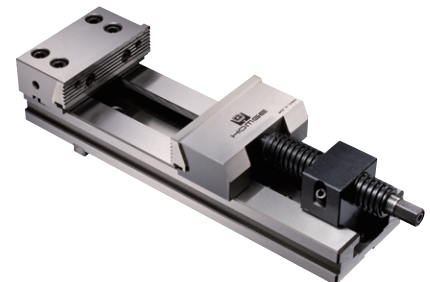
P.47

CNC COMPACT VISE
MODEL: S-100



P.48

PRECISION RAPID VISE (HYDRAULIC TYPE)
MODEL: HG-150h(A,B,C,D),
HG-175h(B,C,D), 200h(A,B,C)





HIGHLY RECOMMENDED

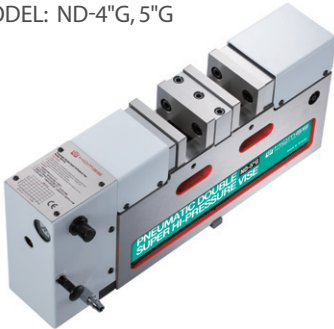
P.20

SELF-CENTERING VISE
MODEL: SC-1-4"



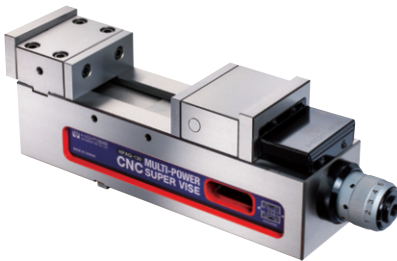
P.26

PNEUMATIC DOUBLE SUPER HI-PRESSURE VISE
MODEL: ND-4"G, 5"G



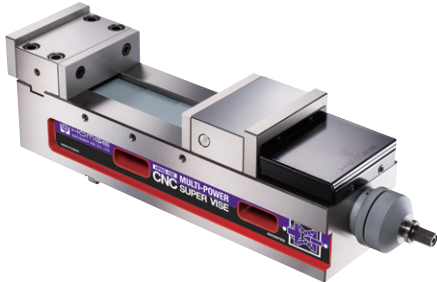
P.28/30

MULTI-POWER CNC SUPER VISE
MODEL: HPAQ-100, 130



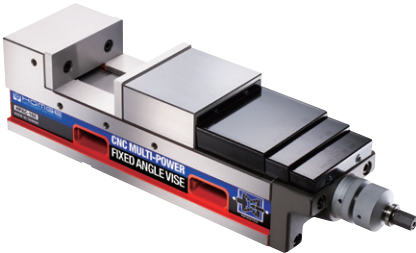
P.28/32

MULTI-POWER CNC SUPER VISE
MODEL: HPAQ-160, 200, 250
HPAQ-160L, 200L



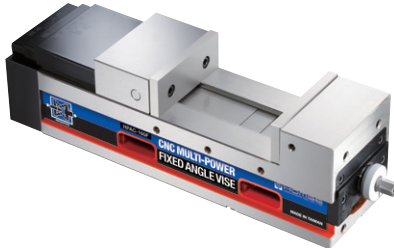
P.40

MULTI-POWER CNC PRECISION FIXED ANGLE VISE
MODEL: HPAC-130, 160, 200
HPAC-160L



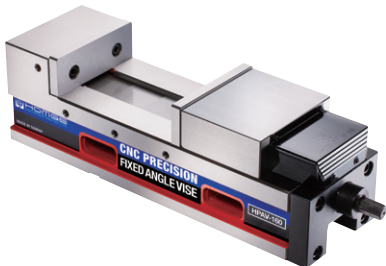
P.44

MULTI-POWER CNC PRECISION FIXED ANGLE VISE (FRONT-MOUNTING TYPE)
MODEL: HPAC-160F, 200F



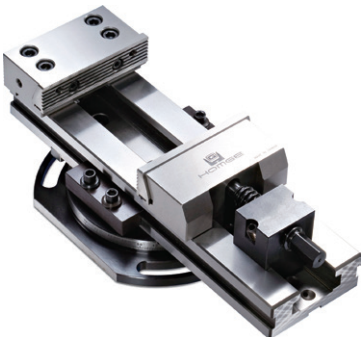
P.45

CNC PRECISION FIXED ANGLE VISE
MODEL: HPAV-130, 160, 160L, 200



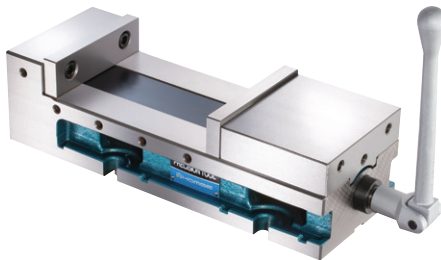
P.49

PRECISION RAPID VISE
MODEL: HG-100, 150 (A,B,C,D), 175 (B,C,D)
HG-200 (A,B,C)



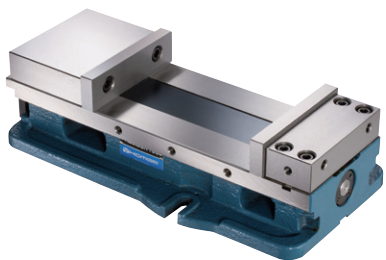
P.50

SUPER-OPEN M/C ANGLE VISE
MODEL: GH-6" SUPER-OPEN 8"
GH-8" SUPER-OPEN 12"



P.51

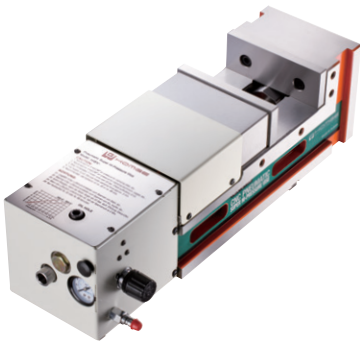
PRECISION ANGLE LOCK VISE (FRONT-PULLING TYPE)
MODEL: TV-6" SUPER-OPEN 10"
TV-8" SUPER-OPEN 12"



AUTOMATION EQUIPMENT

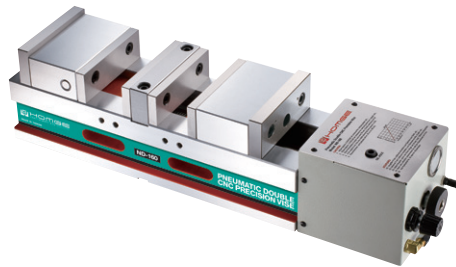
P.53

PNEUMATIC SUPER HI-PRESSURE VISE
MODEL: HBV-4", 5", 6", 8"



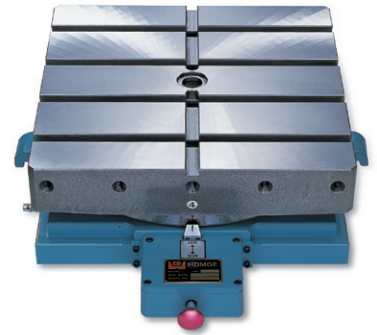
P.56

PNEUMATIC DOUBLE CNC PRECISION VISE
MODEL: ND-160



P.57

PRECISION INDEX TABLE
MODEL: HPI-300, 450, 600, 800, 1000, 1200



P.62-68

M/C SQUARE & DOUBLE SIDED TOOLING COLUMNS

- Heat treated (Normalized)
- Application: Good for horizontal M/C
- Material: FCD 50 / Aluminum A356

M/C SQUARE TOOLING COLUMNS



■ HSF - TYPE



■ HSH - TYPE



■ HST - TYPE

M/C DOUBLE SIDED TOOLING COLUMNS



■ HDF - TYPE



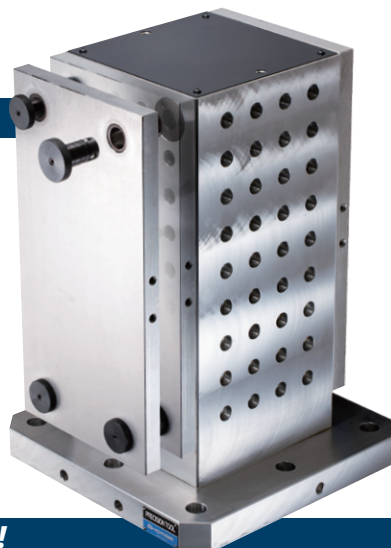
■ HDH - TYPE



■ HDT - TYPE

QUICK MOLDS CHANGE SYSTEM

P.60

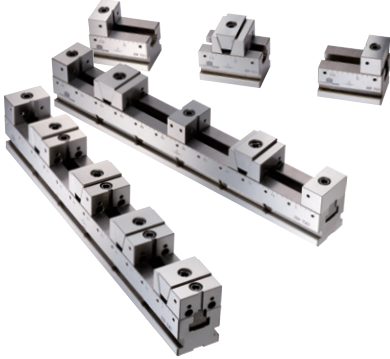


We Accept Order for Special Design !!

P.70

WISE IN-ROW

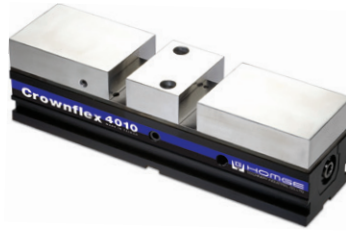
MODEL: HRV-50, 75, 100



P.78

ALUMINUM VISE

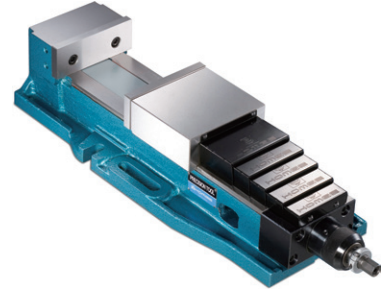
MODEL: Crownflex-4010, 5015



P.82

**MULTI-POWER FIXED ANGLE
PRECISION VISE (EXTENDED TYPE)**

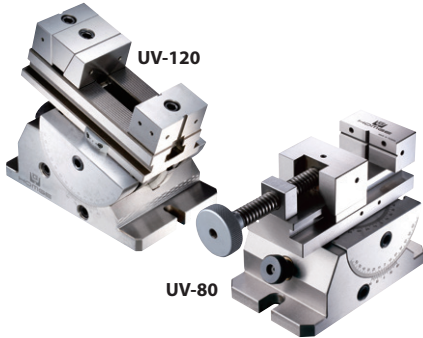
MODEL: HMAV-160, 200



P.85

PRECISION UNIVERSAL VISE

MODEL: UV-80,120



P.86

**PRECISION ANGLE LOCK
MACHINE VISE**

MODEL: HAV- 4", 5", 6", 8", 12"



P.86

**PRECISION ANGLE LOCK
MACHINE VISE**

MODEL: 6" SUPER-OPEN 8"



P.89

HYDRAULIC MACHINE VISE

MODEL: HH-100,125,150,200



P.89

TILTING HYDRAULIC MACHINE VISE

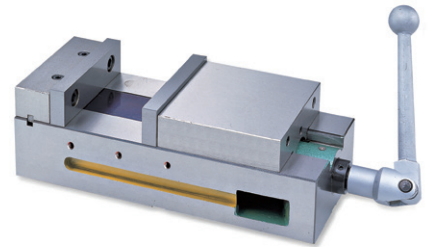
MODEL: HW-100,150



P.90

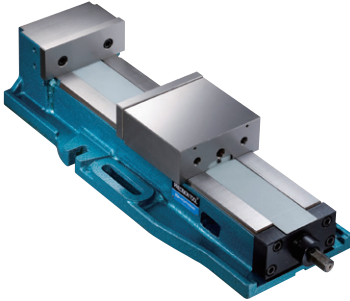
LOCK II MACHINE VISE

MODEL: HMC-6"



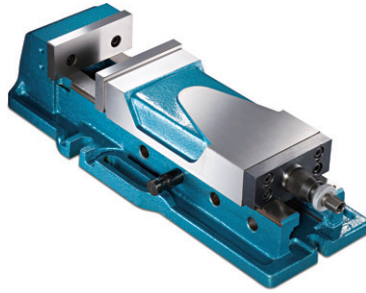
P.82

**STANDARD FIXED ANGLE
PRECISION VISE (EXTENDED TYPE)**
MODEL: HEAV-160, 200



P.84

SUPER-OPEN QUICK ACTION VISE
MODEL: HSAC-160



P.88

SUPER-OPEN MILLING VISE
MODEL: H-400, 600, 800



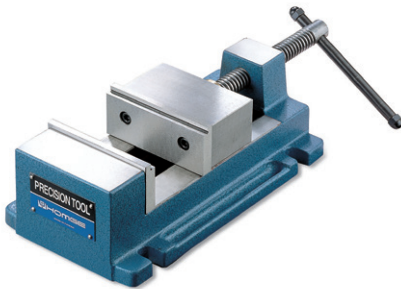
P.88

TILTING SUPER-OPEN VISE
MODEL: HHY-100, 150



P.90

ANGLE-LOCK DRILL PRESS VISE
MODEL: HDV-100, 130



P.91

UNIVERSAL 3-WAY TILTING VISE
MODEL: HY-3", 4", 5"



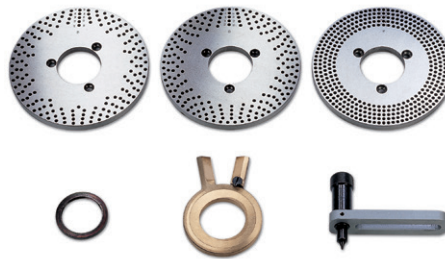
P.91

K-TYPE MACHINE VISE
MODEL: HKV-100, 125, 150, 200



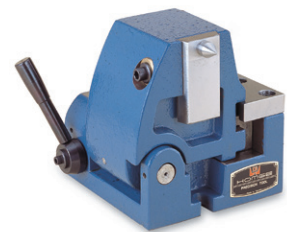
P.93

DIVIDING PLATE SET FOR HUT-300
MODEL: HUT-300DP



P.93

TAIL STOCK FOR HUT-300
MODEL: HUT-300TS



D-07

P.97

UNIVERSAL DIVIDING HEAD
MODEL: BS-2



P.98

SIMPLE INDEXING SPACER
MODEL: CC-6", 8"



P.99

SUPER INDEXING SPACER
MODEL: CS-6", 8"



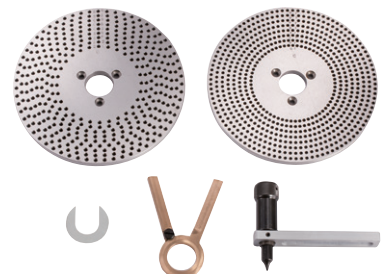
P.101

TAIL STOCK FOR ROTARY TABLE
MODEL: TS-1, 2, 3



P.101

DIVIDING PLATE SET FOR ROTARY TABLE
MODEL: DP-1, 2, 3





DIVIDING EQUIPMENT

P.93

UNIVERSAL TILTING ROTARY TABLE
MODEL: HUT-300



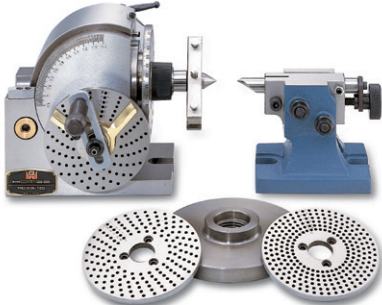
P.94

SUPER DIVIDER
MODEL: HSD-7"



P.96

SEMI-UNIVERSAL DIVIDING HEAD
MODEL: BS-0, 1



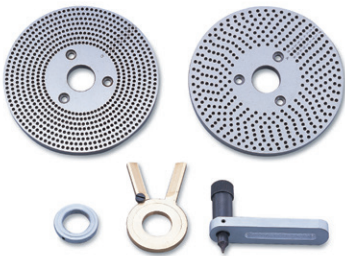
P.98

TAIL STOCK FOR CC & CS-TYPE SPACERS
MODEL: TS-4, 5



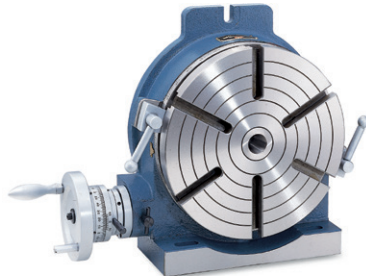
P.99

DIVIDING PLATE SET FOR CS-6"8"
MODEL: DP-4, 5



P.100

HORIZONTAL / VERTICAL ROTARY TABLE
MODEL: HHV-150, 200, 250, 300, 350, 400



P.102

SUPERIOR UNIVERSAL DIVIDING HEAD
MODEL: HCM-2

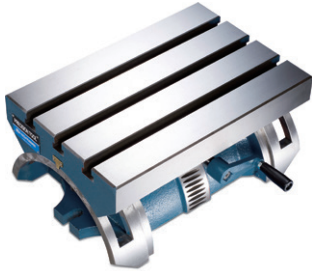


ANGLE FIXTURES

P.104

TILTING TABLE

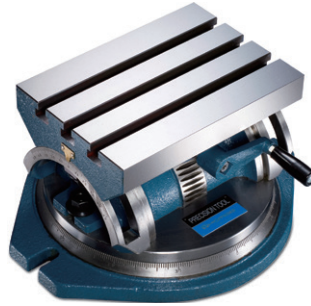
MODEL: HAP-180, 250, 380, 600



P.104

TILTING TABLE WITH SWIVEL BASE

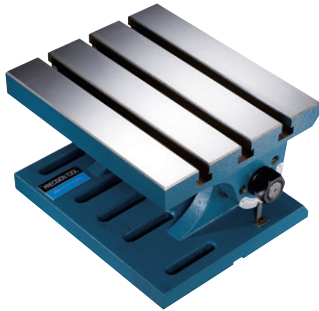
MODEL: HAP-180S, 250S, 380S



P.105

TILTING ANGLE PLATE

MODEL: HSAP-1, 2, 3, 4



P.105

SLOTTED ANGLE PLATE

MODEL: HL-4", 6", 8", 10", 12"



P.107

HORIZONTAL MILLING ATTACHMENT

(RIGHT ANGLE MILLING HEAD + ARBOR + SUPPORT)
MODEL: R8, NT30, NT40



PERMANENT MAGNETIC SERIES

P.109

PERMANENT MAGNETIC LIFTER

MODEL: ECMC-M 100, M 300, M+600,
ECMC-M 1000, M 2000



P.110

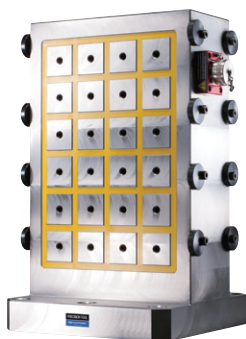
ELECTRO-PERMANENT MAGNETIC CHUCK

MODEL: ECMC- A, B, C, D SERIES



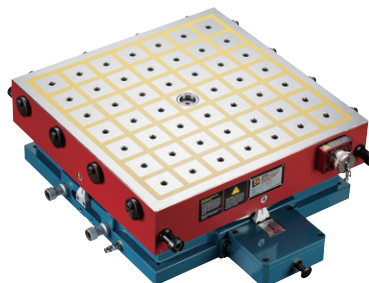
P.114

M/C ELECTRO-PERMANENT MAGNETIC COLUMN (SQUARE, DOUBLE-SIDED)



P.116

ELECTRO-PERMANENT MAGNETIC INDEX TABLE

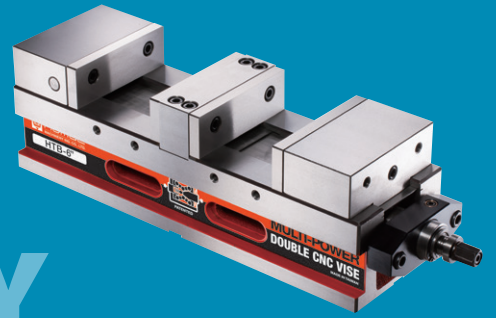


P.118

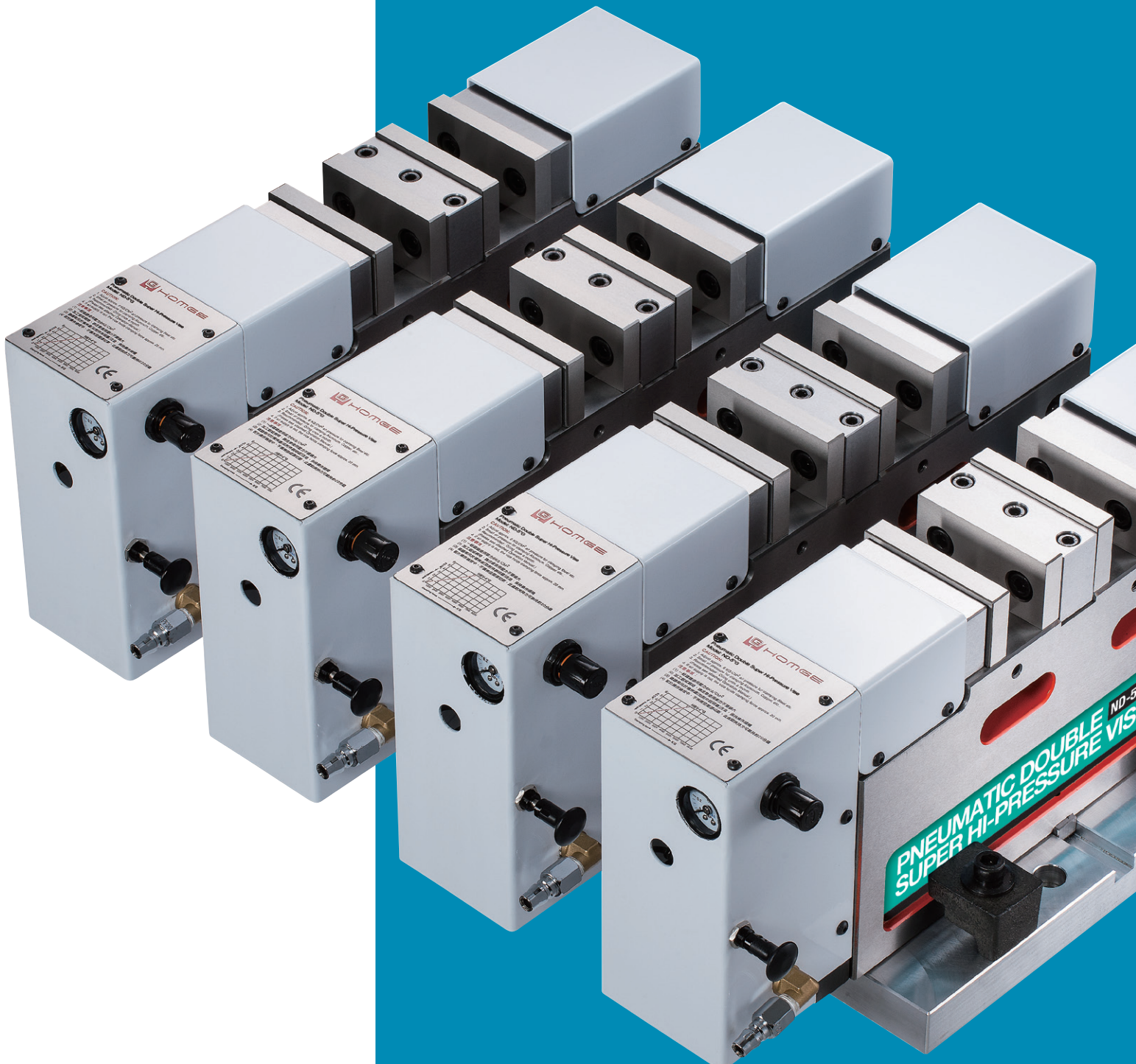
PERMANENT MAGNETIC VISE

MODEL: ECMC-220, 130



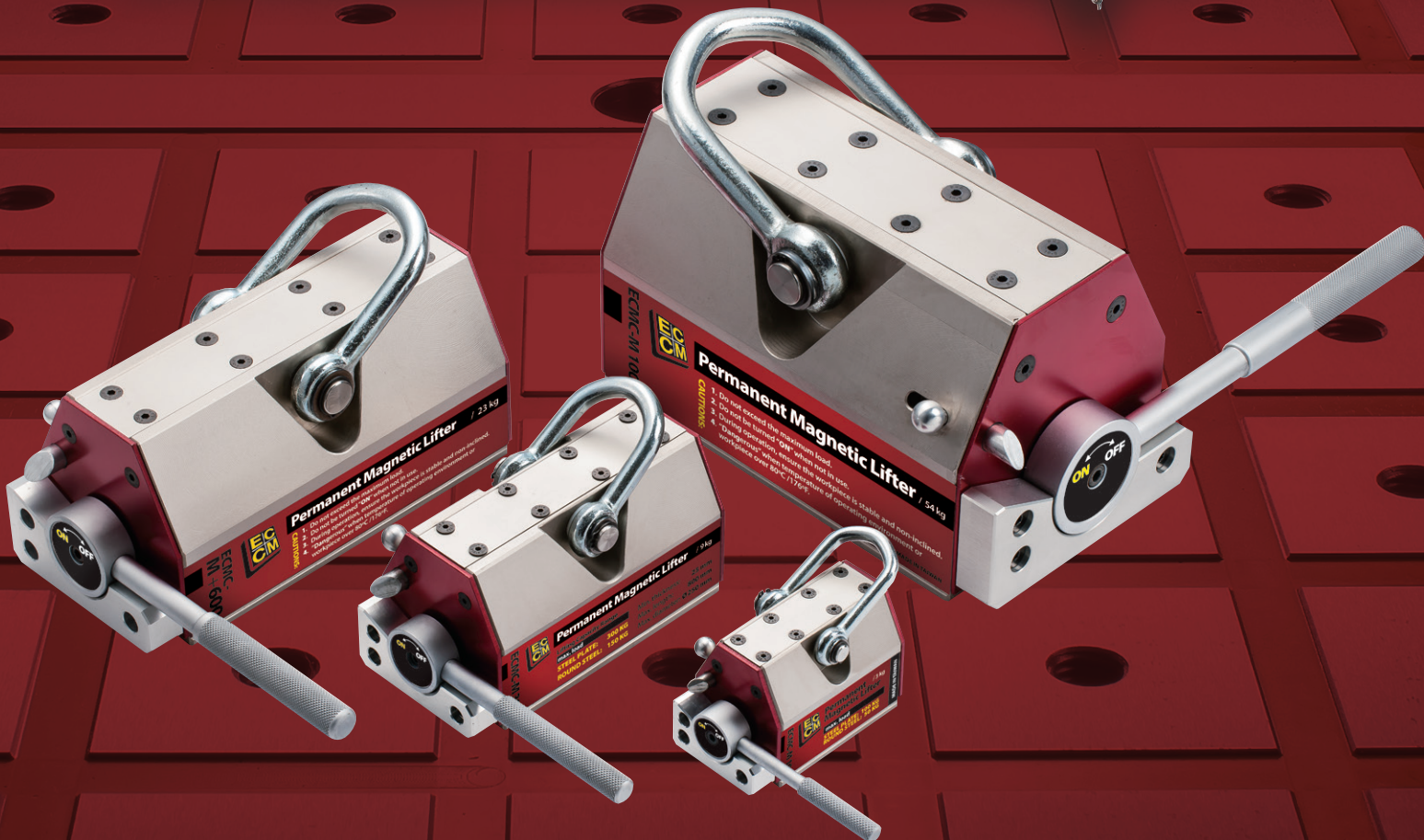


HIGHLY RECOMMENDED



PERMANENT MAGNETIC SERIES:

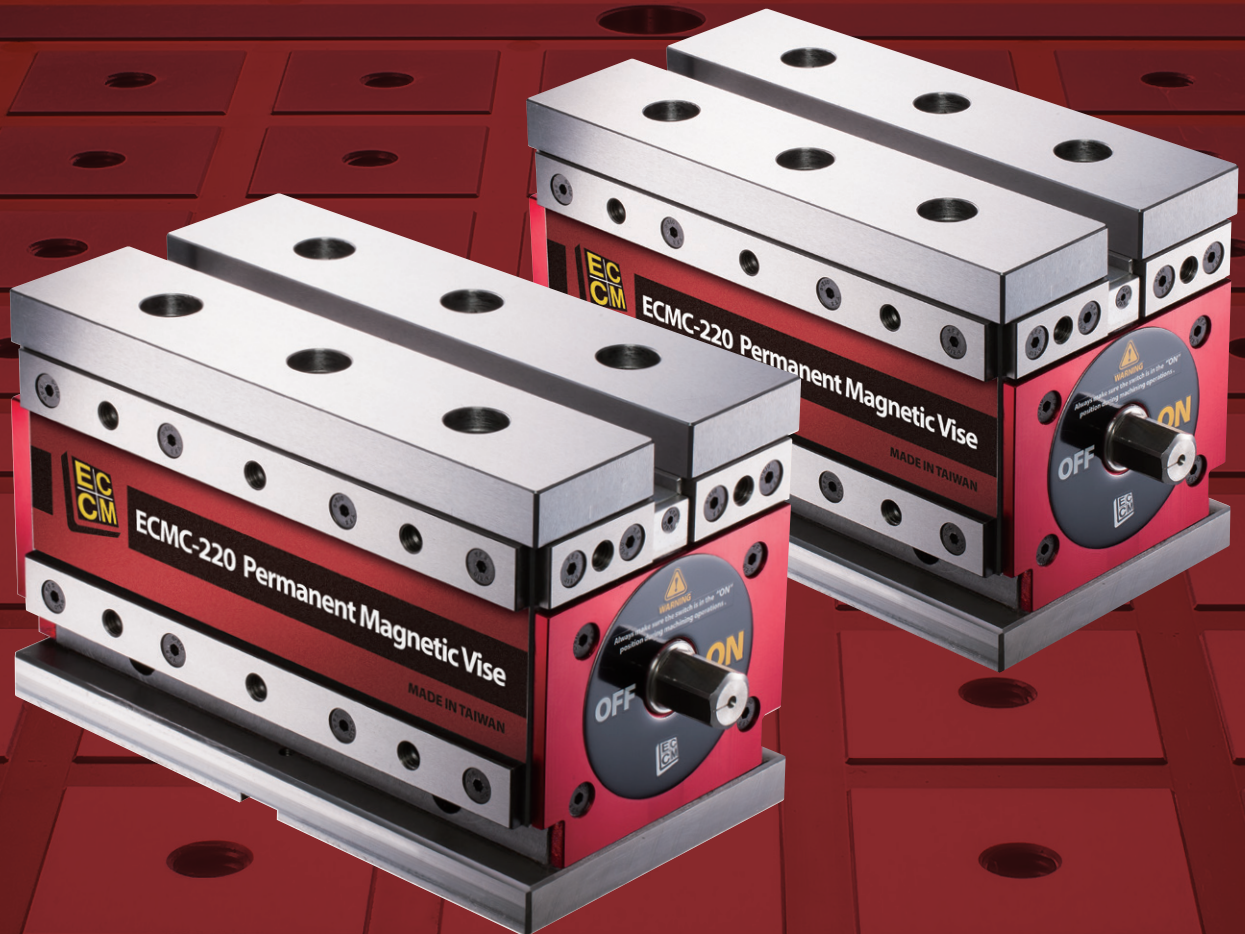
- Electro-Permanent Magnetic Chuck
- Electro-Permanent Magnetic Column
- Electro-Permanent Magnetic Index Table
- Permanent Magnetic Vise
- Permanent Magnetic Lifter



PERMANENT MAGNETIC VISE

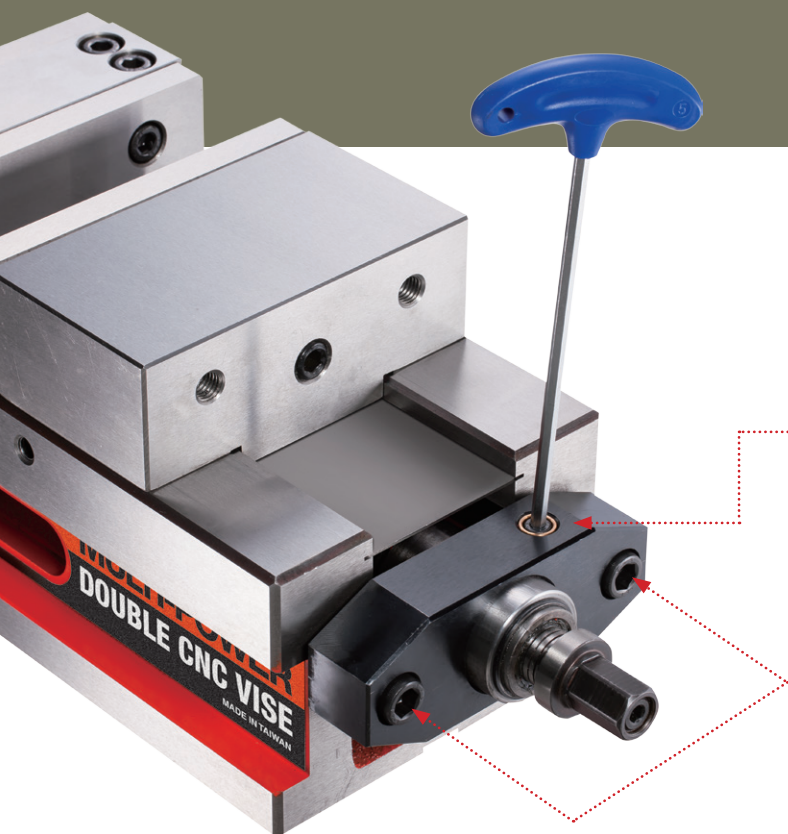
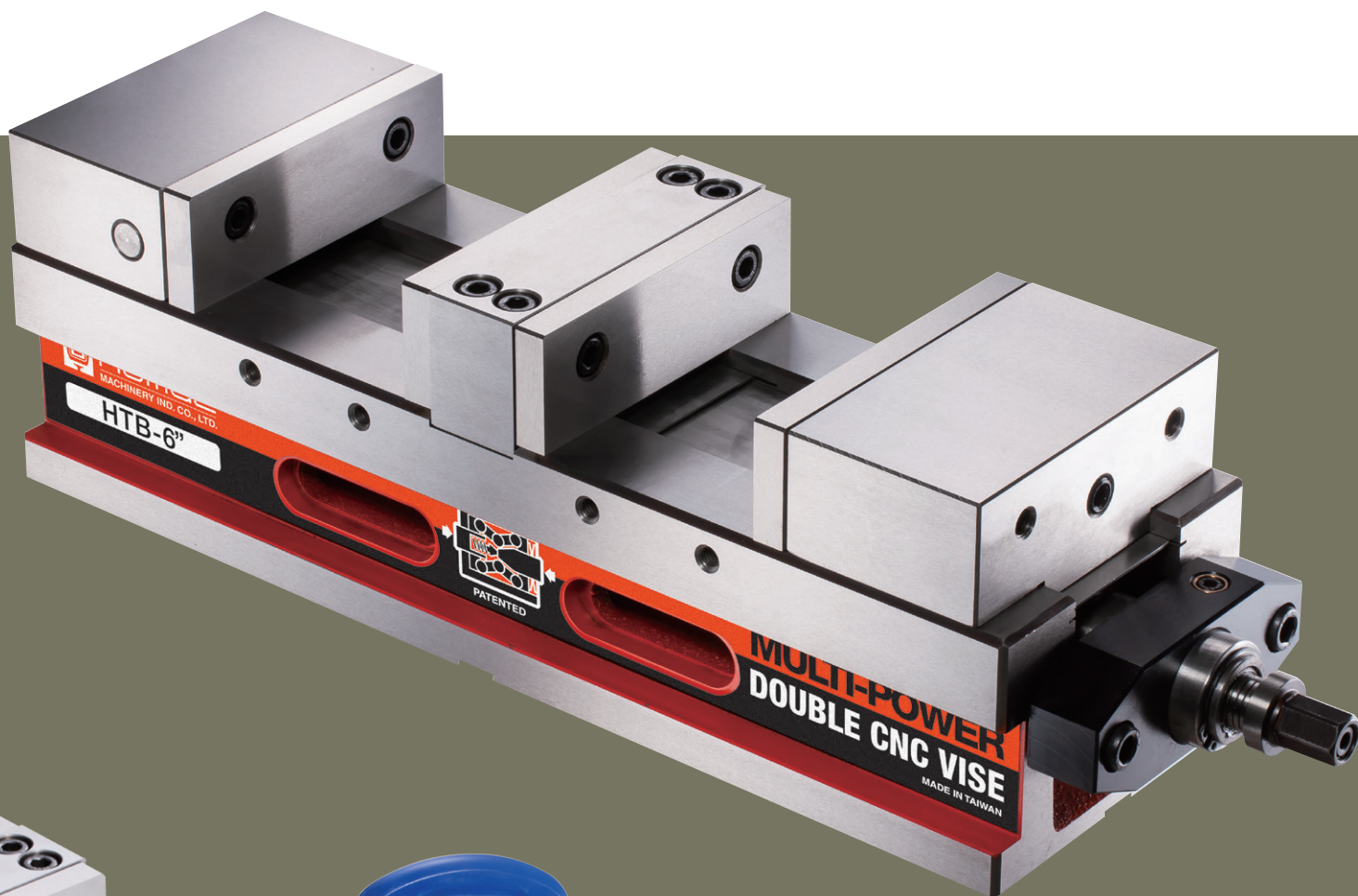
Model: ECMC-220, 130

- Suitable for the magnetic material processing
- Quick clamping the workpiece and provide five-sided processing
- Work with various magnetic soft jaws, flexible adjustment and configuration according to processing needs



DOUBLE CNC MULTI-POWER VISE

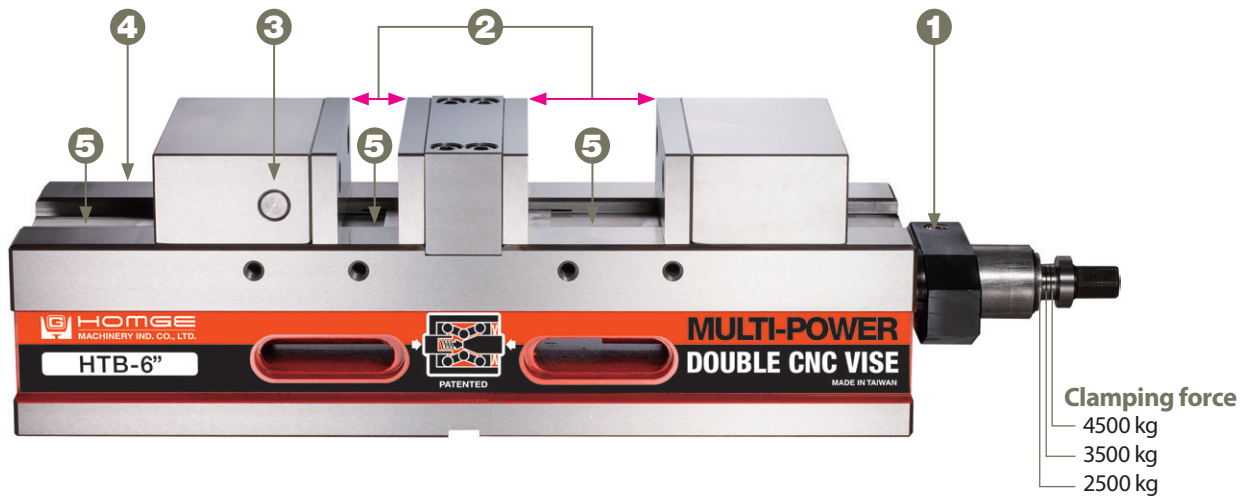
Model: HTB-5", 6", 8"



If the tolerance of work-piece is more than **5mm**, please adjust this screw.

A special **SPRING DEVICE** allows an extra tolerance of up to **5mm** in workpiece size enabling quick positioning and clamping.

1. A special **SPRING DEVICE** allows an extra tolerance of up to **5mm** in workpiece sizes, which enables automatically quick positioning and clamping.
2. The vise can hold 2 workpieces of different sizes with max. difference of **25mm**.
3. The **Special ANGLE-LOCK SYSTEM** with compact design and high-grade iron of over FCD 60 grade for high rigidity automatically pulls the workpiece down to its accurate position.
4. **Fixed Height**, so several vises can be used together.
5. Double Leadscrew Covers protect Leadscrew from swarf.

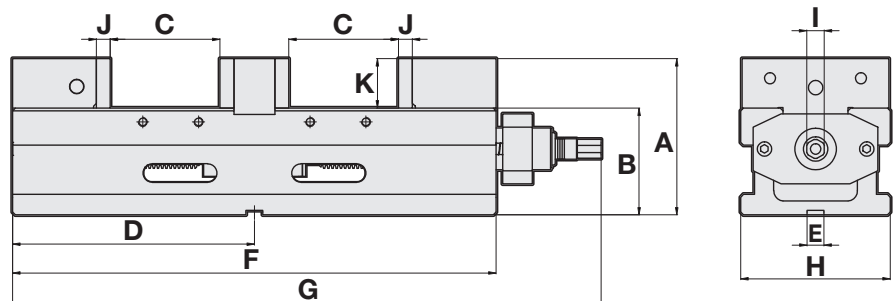


DIMENSIONS



STANDARD ACCESSORIES

- 2pcs of Alignment Wedge
- 4pcs of Clamp
- 1pc of Wrench
- 1pc T Type Wrench



SPECIFICATIONS (FCD 60 ductile Iron. Hardness: HRC50°)

Unit: mm

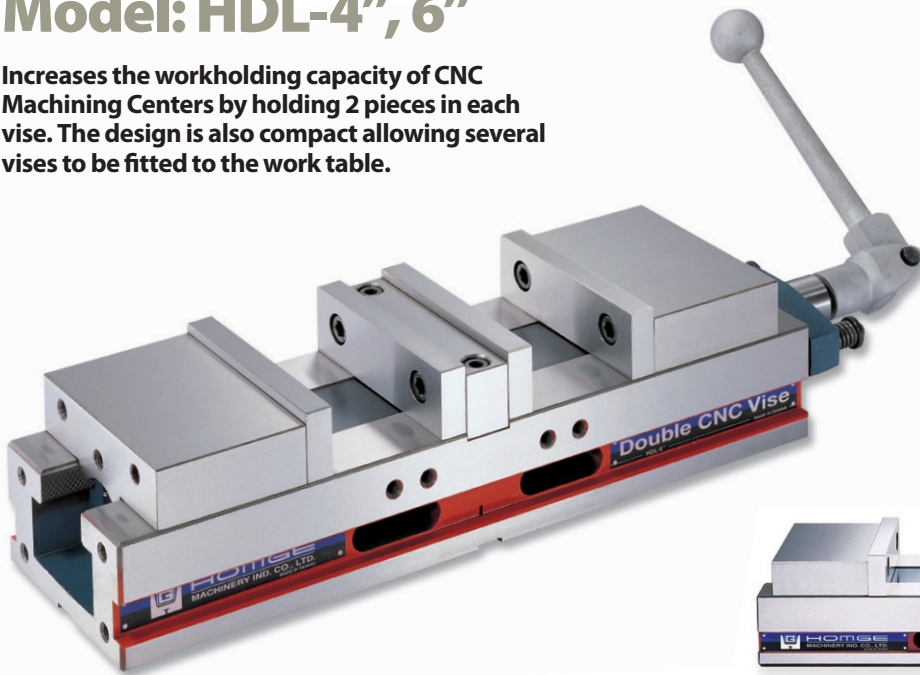
MODEL	A	B	C	D	E	F	G	H	I	J	K	Weight (kg)
HTB-5"	168	115±0.01	94	236	18	472	584	134	19	15	53	53
HTB-6"	168	115±0.01	120	260	18	520	632	161	19	15	53	62
HTB-8"	187	120±0.01	150	310	18	620	732	200	19	18	66	112

DOUBLE CNC PRECISION VISE

Model: HDL-4", 6"

PATENTED
1 2 6 2 1 9
M307481

Increases the workholding capacity of CNC Machining Centers by holding 2 pieces in each vise. The design is also compact allowing several vises to be fitted to the work table.



The vise can hold 2 workpieces of different sizes. The maximum opening difference is **70mm**.

STANDARD ACCESSORIES:

- 2 pcs of Alignment Wedge
- 4 pcs of Clamp
- 1 pc of Handle

OPTIONAL ACCESSORY:

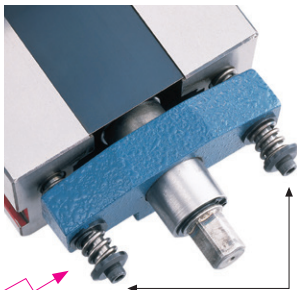
- Soft Jaws (4 pcs / per set)



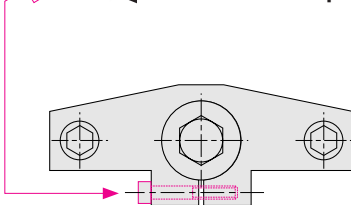
Centre Jaw maybe removed to hold larger workpieces.



Once the centering Jaw is removed the vise is self centring.

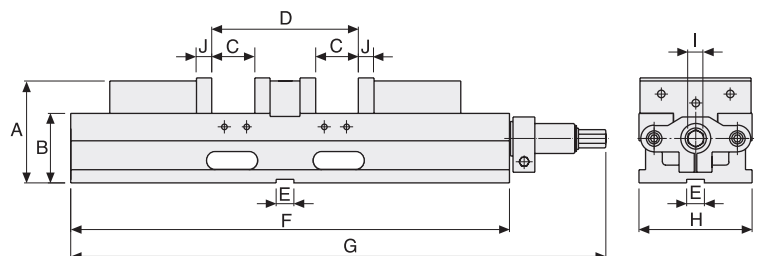


A special **SPRING DEVICE** allows an extra tolerance of up to **5mm** in workpiece size enabling quick positioning and clamping.



If the tolerance of work-piece is more than 5mm, please adjust this screw.

DIMENSIONS



SPECIFICATIONS (Material: FCD 55 Ductile Iron. Hardness: HRC 50°)

Unit: mm

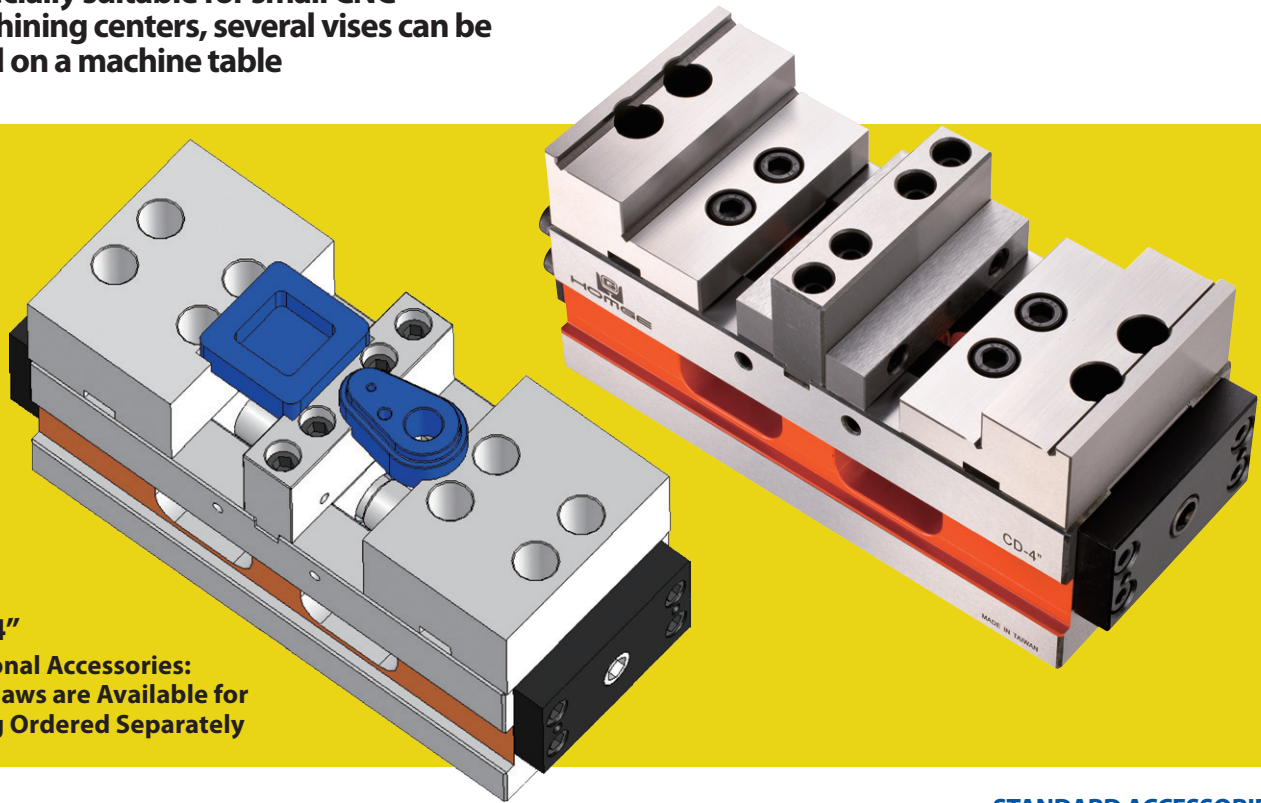
Model	A	B	C	D	E	F	G	H	I	J	Weight (kg)
HDL-4"	92	63 ± 0.01	74	200	18	395	480	104	14	14	20
HDL-6"	118	80 ± 0.01	100	270	18	517	615	154	19	18	46

COMPACT DOUBLE-LOCK VISE

Model: CD-4"

PATENTED
M461511
M456255

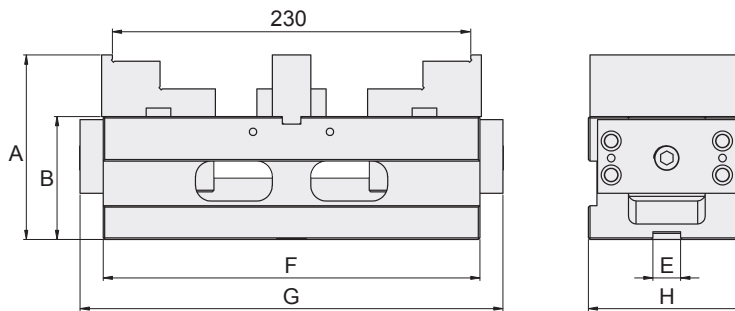
- Designed with special device to hold 2 workpieces in different sizes (max. tolerance of 1.5mm) at the same time
- The combinations of jaws enable different clamping tasks, center fixed jaw can be removed for clamping larger work piece.
- Modular vise with fixed height, can be used vertically or horizontally
- Especially suitable for small CNC machining centers, several vises can be used on a machine table



CD-4"
Optional Accessories:
Soft Jaws are Available for
being Ordered Separately

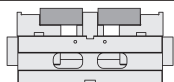
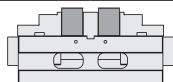
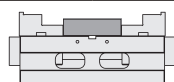
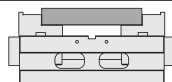
STANDARD ACCESSORIES:

- 4 pcs of Clamp
- 1 pc of Wrench



SPECIFICATIONS (Material: FCD 60 Ductile Iron. Hardness: HRC 50° / Material of Soft Jaw: Steel)

Unit: mm

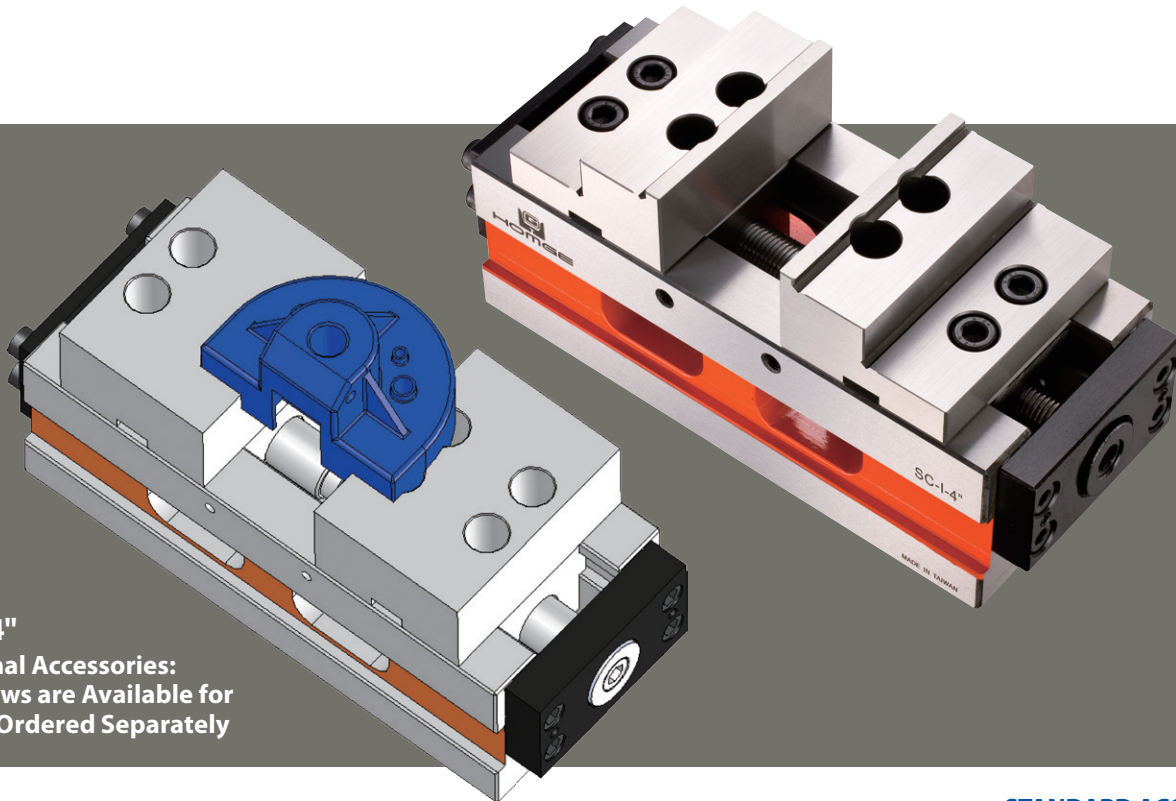
MODEL	A	B	E	F	G	H	Weight (kg)
CD-4"	120	80	18	245	275	102	18
MODEL	C		C1		C2	C3	
							
CD-4"	70		35		95	166	

SELF-CENTERING VISE

Model: SC-I-4"

PATENTED
M456256

- Specially designed for 5-axis & CNC machining centers
- Both sides of Vise Jaws are available for multiple clamping
- Modular vise with fixed height, can be used vertically or horizontally

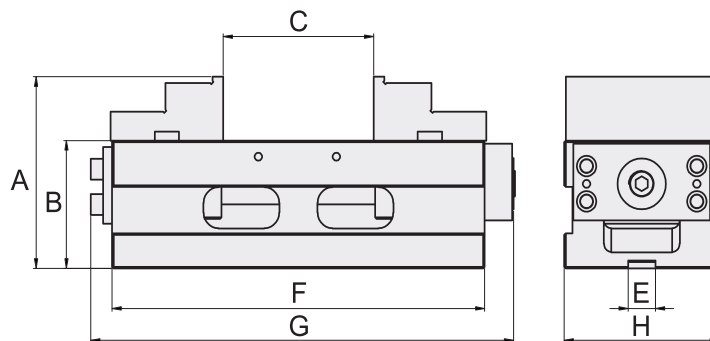


SC-I-4"

Optional Accessories:
Soft Jaws are Available for
being Ordered Separately

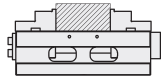
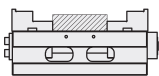
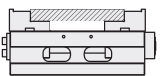
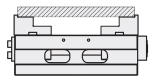
STANDARD ACCESSORIES:

- 4 pcs of Clamp
- 1 pc of Wrench



SPECIFICATIONS (Material: FCD 60 Ductile Iron. Hardness: HRC 50° / Material of Soft Jaw: Steel)

Unit: mm

MODEL	A	B	E	F	G	H	Weight (kg)
SC-I-4"	120	80	18	245	278	102	15
MODEL	C		C1		C2	C3	
							
SC-I-4"	95		95		166	230	

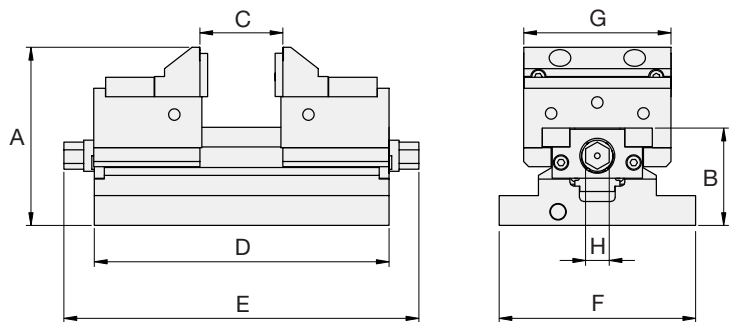
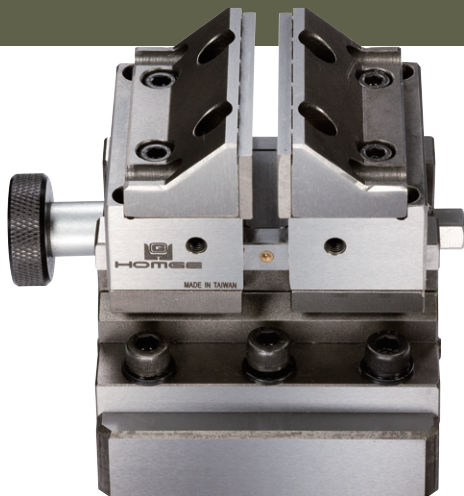
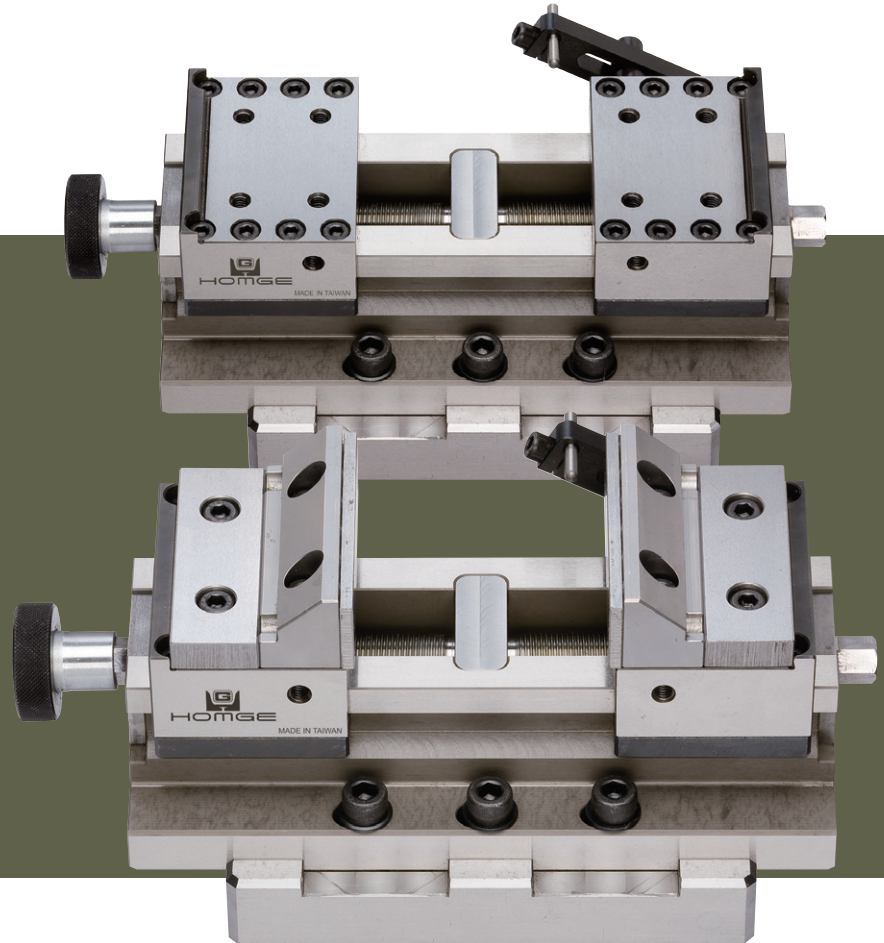
SELF-CENTERING VISE

Model: SC-100, 150, 200

- Designed especially for small work-pieces which require multi-direction processing
- Two-sided operation
- Ideal for small working piece

STANDARD ACCESSORIES:

- 2 pcs of Supporting Block
- 1 pc of Datum Plate



SPECIFICATIONS (Material: Tool Steel. Hardness: over HRC 58°)

Unit: mm

MODEL	A	B	C	D	E	F	G	H	Weight (kg)
SC-100	91	50	25	100	116	100	75	12	6
SC-150			55	150	170				8
SC-200			105	200	224				9.5

5-AXIS CLAMP

Model: 5AC-20, 26, 34, 20T, 26T, 34T

PATENTED
M380189

- Especial for CNC 5-axis machines
- Allows the machine spindle to freely access the work-piece
- Can easily clamp both small and large work-pieces



Optional Long-Type Vise Body is also Available
for being Ordered Separately.

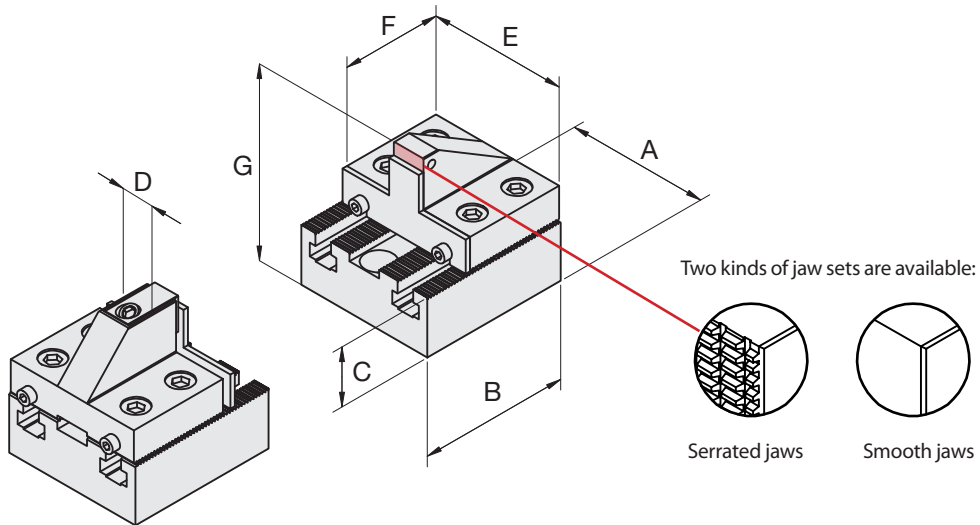
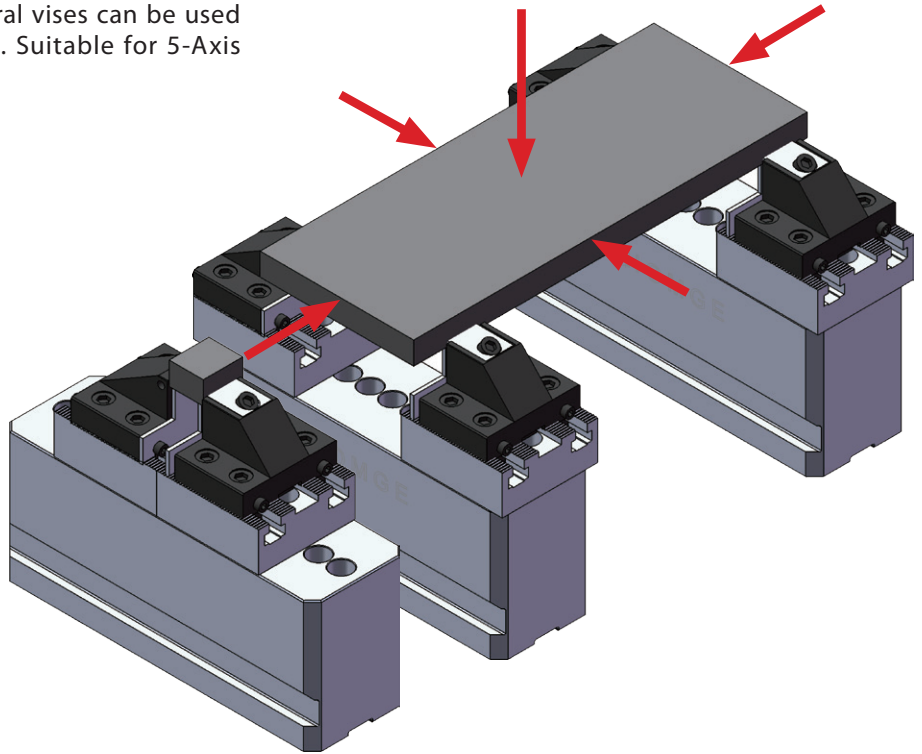
Designed especially for small work-pieces which require multi-direction Processing. **Fixed height**, several vises can be used together for clamping large workpieces. Suitable for 5-Axis Machining Centers.

STANDARD ACCESSORIES:

- 2 pcs of Supporting Block
- 1 pc of Wrench

OPTIONAL ACCESSORIES:

- Aluminum Base: 280 x 85 x 115
mm Jaw Opening: **19-155mm**



SPECIFICATIONS (Material: Tool Steel. Hardness: over HRC 58°)

Unit: mm

MODEL	A	B	C	D	E	F	G	Weight (kg)
5AC-20	85	90	35	20	83	60	85	12.5
5AC-26				26				12.6
5AC-34				34				13.5

SPECIFICATIONS (with SERRATED JAW) (Material: Tool Steel. Hardness: over HRC 58°)

Unit: mm

MODEL	A	B	C	D	E	F	G	Weight (kg)
5AC-20T	85	90	35	20	83	60	85	12.5
5AC-26T				26				12.6
5AC-34T				34				13.5

PNEUMATIC SUPER HI-PRESSURE VISE

Model: HBV-4"G, 5"G, 6"G



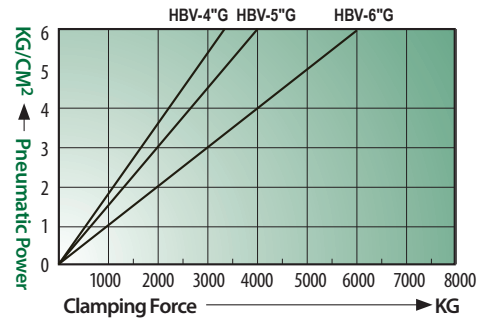
- High-Force Cylinders hardly malfunction
- Fixed Height so several vises can be used together

STANDARD ACCESSORIES:

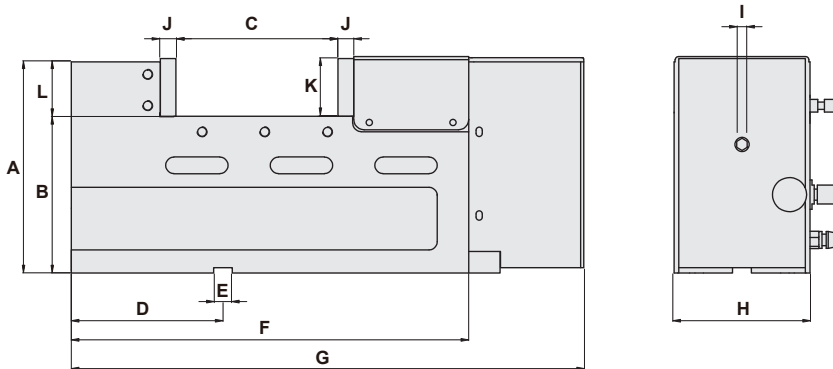
- 2 pcs of Alignment Wedge
- 4 pcs of Clamp
- 1 pc of Wrench



- Special **High-Force Cylinders** are designed to enhance clamping force of 0-6000kg and can be adjusted depends on the material of work-piece.
- Vise body is made of Ductile Iron above FCD 60 grade for high precision and durability.
- Slide ways are **HARDENED** to **HRC 50°** to further increase durability and maintain positioning height over long use.
- The special **ANGLE-LOCK SYSTEM** with compact design for high rigidity automatically pulls the work-piece down to the accurate position.
- **High-Force Cylinders** hardly malfunction.
- Special **safety device** to ensure the vise holds clamping force 20 minutes if the air supply is cut.
- Safety range is **4-4.5 mm**.


 Pneumatic power source 6kg/cm²


DIMENSIONS



SPECIFICATIONS (Material: FCD 60 ductile Iron. Hardness: HRC50°)

Unit: mm

Model	A	B	C	D	E	F	G	H	I
HBV-4\"G	195	150±0.01	0 - 105	145	18	325	435	102	10
HBV-5\"G	202	150±0.01	0 - 185	145	18	390	490	130	10
HBV-6\"G	205	150±0.01	0 - 220	145	18	440	550	161	10

Model	J	K	L	Max. Clamping Force	Safety Range	Weight (kg)
HBV-4\"G	15	48	45	0-3000 kg	4 mm	37
HBV-5\"G	15	55	52	0-4000 kg	4 mm	50
HBV-6\"G	15	58	55	0-4000 kg	4 mm	70

PNEUMATIC DOUBLE SUPER HI-PRESSURE VISE

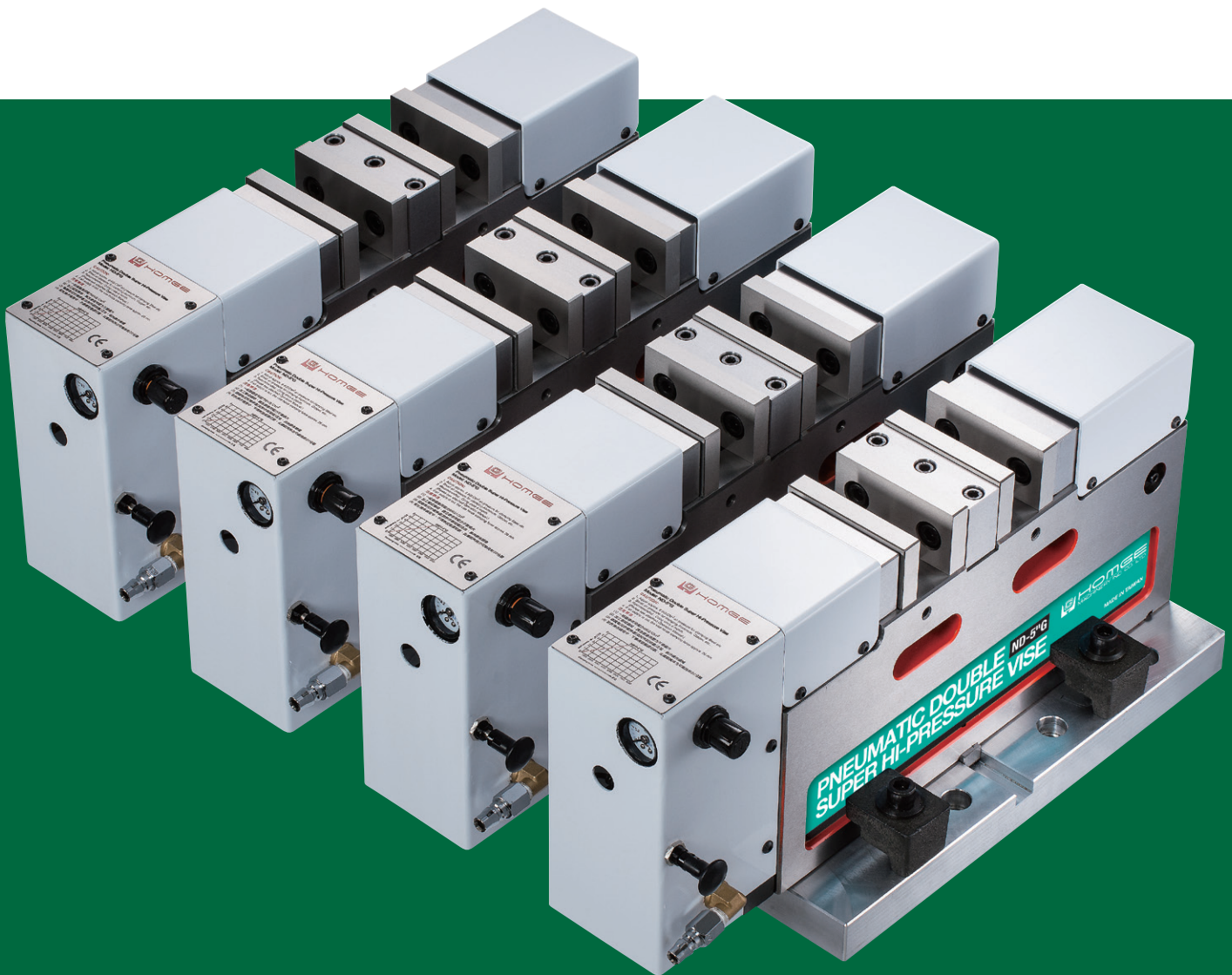
Model: ND-4"G, 5"G



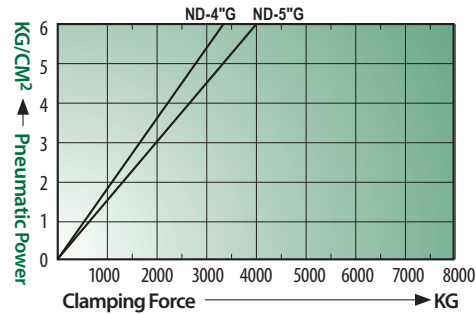
- High-Force Cylinders hardly malfunction
- Fixed Height so several vises can be used together

STANDARD ACCESSORIES:

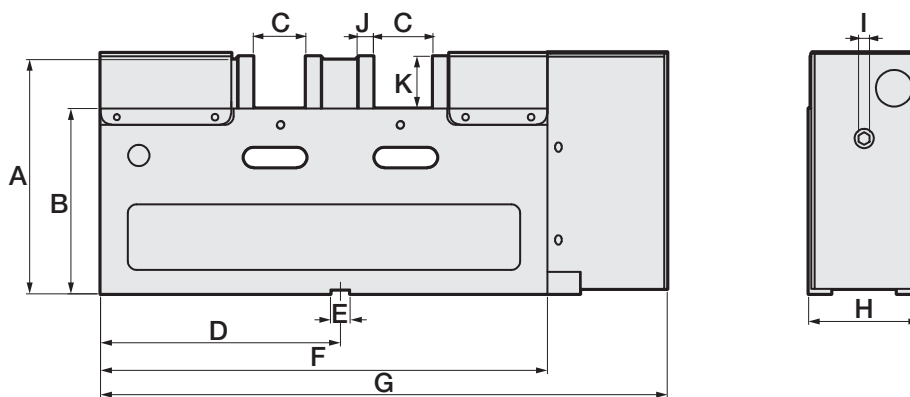
- 2 pcs of Alignment Wedge
- 4 pcs of Clamp
- 1 pc of Wrench



- The vise can hold 2 workpieces of different sizes. Allows an extra tolerance of up to 2 mm in workpieces.
- Special High-Force Cylinders are designed to enhance clamping force of 0-4000kg and can be adjusted depends on the material of work-piece.
- Vise body is made of Ductile Iron above FCD 60 grade for high precision and durability. Slide ways are HARDENED to HRC 50° to further increase durability and maintain positioning height over long use.
- Pressure Adjusting Knob: for quick operations.
- High-Force Cylinders hardly malfunction.
- Special safety device to ensure the vise holds clamping force 20 minutes if the air supply is cut.
- Safety range is 4 mm.


 Pneumatic power source 6kg/cm²


DIMENSIONS



SPECIFICATIONS (Material: FCD 60 ductile Iron. Hardness: HRC50°)

Unit: mm

Model	A	B	C	D	E	F	G	H	I
ND-4"G	195	150±0.01	0-50	220±0.02	18	410	520	102	10
ND-5"G	202	150±0.01	0-115	280±0.02	18	530	630	130	10

Model	J	K	Max. Clamping Force	Safety Range	Weight (kg)
ND-4"G	15	48	0-3300 kg	4 mm	45
ND-5"G	15	55	0-4000 kg	4 mm	65

MULTI-POWER CNC SUPER VISE

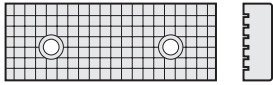
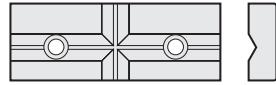
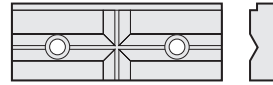
Model: HPAQ-100, 130
HPAQ-160, 200, 250, 160L, 200L

PATENTED
M458489
M395751
M278511
M390838
M435335



- Shortest Length with Big Jaw Opening
- Extremely High Accuracy and Repeatability
- Special MULTI-POWER design enhances clamping force of **0~8000 KG**
- Suitable for Gantry-Type machining center

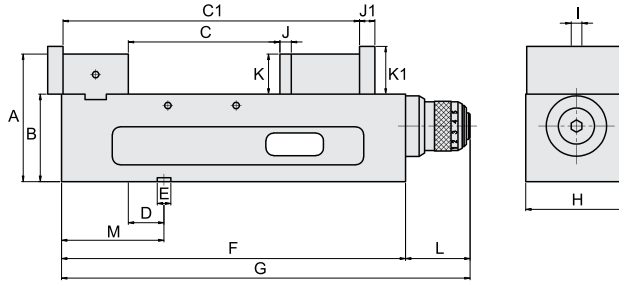
OPTIONAL ACCESSORIES


1) Cross Grooved Jaws

2) 'V' Jaws

3) Combined Jaws

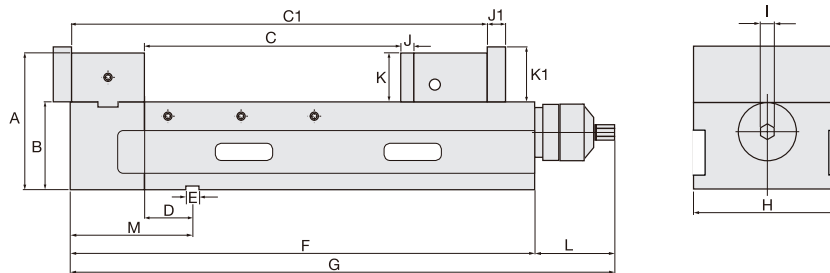
4) Step Jaws

DIMENSIONS

HPAQ-100, 130



HPAQ - 160, 200, 250, 160L, 200L



SPECIFICATIONS (Material: FCD 60 Ductile Iron. Hardness: HRC 50°)

Unit: mm

Model	A	B	C	C1	D	E	F	G	H
HPAQ-100	145	105±0.01	0-170	185-350	65±0.02	18	420	507	104
HPAQ-130	163	115±0.01	0-205	195-395	57±0.02	18	470	557	134
HPAQ-160	168	115±0.01	0-300	195-490	57±0.02	18	560	677	160
HPAQ-200	187	120±0.01	0-350	220-570	66±0.02	18	637	754	200
HPAQ-250	187	120±0.01	0-450	220-670	66±0.02	18	746	863	250
HPAQ-160L-400	168	115±0.01	0-400	206-600	57±0.02	18	665	792	160
HPAQ-160L-500	168	115±0.01	0-500	206-700	57±0.02	18	765	892	160
HPAQ-160L-650	168	115±0.01	0-650	206-860	57±0.02	18	925	1042	160
HPAQ-200L-500	187	120±0.01	0-500	220-720	66±0.02	18	806	923	201
HPAQ-200L-600	187	120±0.01	0-600	220-820	66±0.02	18	910	1027	201
HPAQ-200L-850	187	120±0.01	0-850	220-1070	66±0.02	18	1156	1273	201
HPAQ-200L-1140	187	120±0.01	0-1140	220-1360	66±0.02	18	1446	1563	201

Model	I	J	J1	K	K1	L	M	Max. Clamping Force	Weight (kg)
HPAQ-100	14	15	20	40	50	87	145	4000 kg	40
HPAQ-130	14	15	20	48	58	87	145	5500 kg	50
HPAQ-160	19	15	21	53	63	117	145	8000 kg	73
HPAQ-200	19	18	25	66	75	117	168	8000 kg	120
HPAQ-250	19	18	24	66	75	117	168	8000 kg	140
HPAQ-160L-400	19	15	21	53	63	117	145	8000 kg	83
HPAQ-160L-500	19	15	21	53	63	117	145	8000 kg	92
HPAQ-160L-650	19	15	21	53	63	117	145	8000 kg	107
HPAQ-200L-500	19	18	24	66	75	117	168	8000 kg	144
HPAQ-200L-600	19	18	24	66	75	117	168	8000 kg	160
HPAQ-200L-850	19	18	24	66	75	117	168	8000 kg	190
HPAQ-200L-1140	19	18	24	66	75	117	168	8000 kg	217

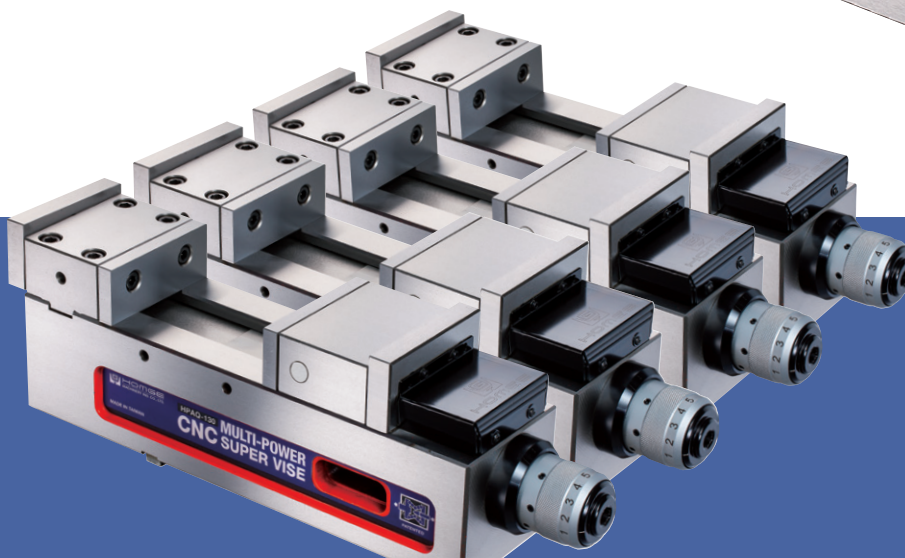
PATENTED
M523545
M278511

MULTI-POWER CNC SUPER VISE

Model: HPAQ-100, 130



- Shortest Length with Big Jaw Opening
- Extremely High Accuracy and Repeatability
- Special MULTI-POWER design enhances clamping force of **0~5500 KG**



1. **Vise Fixed Jaw** is made by **high quality steel** and **HARDENED** to **HRC 55°**. Vise body is made of Ductile Iron above FCD 60 grade for high precision and durability. With a force of 2500kg, the shape will deflect less than **0.005mm**.

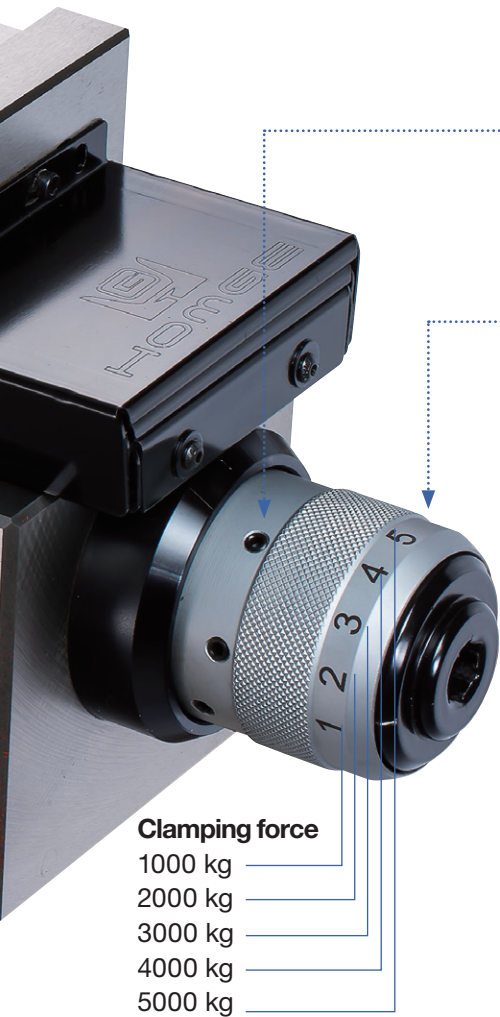
2. Slide ways are **HARDENED** to **HRC 50°** to further increase durability and maintain positioning height over long use.

3. The **Special ANGLE-LOCK SYSTEM** with compact design and high-grade iron of over FCD 60 grade for high rigidity automatically pulls the work-piece down to the accurate position of within **0.005mm** under 2500kg of pressure. This vise is most suitable for precision mould making on Machining Centers.

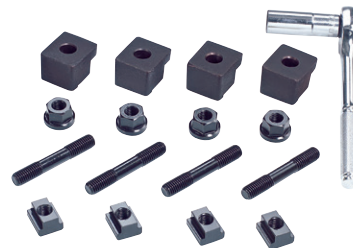
4. Vise can be mounted horizontally or vertically.

5. The patented MULTI-POWER SYSTEM built of **HIGH GRADE BEARING STEEL** doubles the clamping force. **This special patented system makes the clamping force constant.**

6. Adjusting stop ring: this simple and effective **presetting device enables to preset each desired clamping force** and it guarantees to repeat each clamping operation at the same clamping force.



- Clamping force**
- 1000 kg
 - 2000 kg
 - 3000 kg
 - 4000 kg
 - 5000 kg



STANDARD ACCESSORIES

- 2 pcs of Alignment Wedge
- 4 pcs of Clamp
- 1 pc of Handle

OPTIONAL ACCESSORIES

- Cross Grooved Jaws
- "V" Jaws
- Comvined Jaws
- Step Jaws



PAT.

The patented **MULTI-POWER SYSTEM** built of **HIGH GRADE BEARING STEEL** provides extremely high clamping pressure. The pressure is more consistent and eliminates all leakage and maintenance problems associated with Hydraulic Vises.

Fixed height so several vises can be used together.

This vise is highly suitable for **precision mould making** on machining centers as well as **heavy duty machining** which required high clamping force with high accuracy.

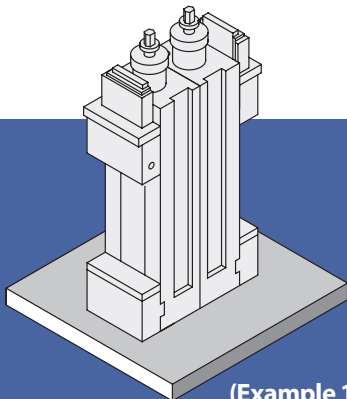
PATENTED
M458489
M395751
M278511
M390838
M435335

MULTI-POWER CNC SUPER VISE

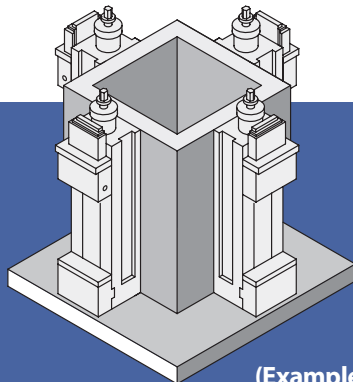
Model: HPAQ-160, 200, 250, 160L, 200L



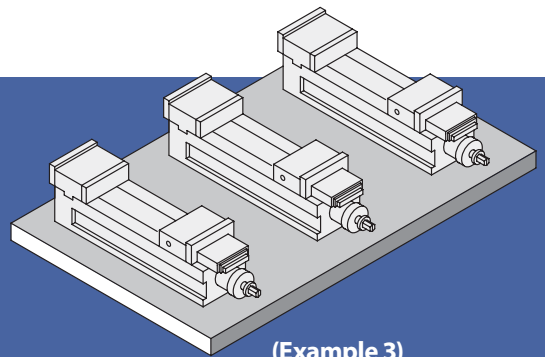
The extremely big jaw opening of model HPAQ-160 Jaw Opening 300mm and 490mm is used for thin work piece clamping.



(Example 1)



(Example 2)



(Example 3)

1. **Vise Fixed Jaw** is made of **high quality steel** and **HARDENED** to **HRC 55°**. Vise body is made of Ductile Iron above FCD 60 grade for high precision and durability. With a force of 4500kg, the shape will deflect less than **0.005mm**.

2. Slide ways are **HARDENED** to **HRC 50°** to further increase durability and maintain positioning height over long use.

3. The **Special ANGLE-LOCK SYSTEM** with compact design and high-grade iron of over FCD 60 grade for high rigidity automatically pulls the work-piece down to the accurate position of within **0.005mm** under 4500kg of pressure. This vise is most suitable for precision mould making on Machining Centers.

4. Vise can be mounted horizontally or vertically.

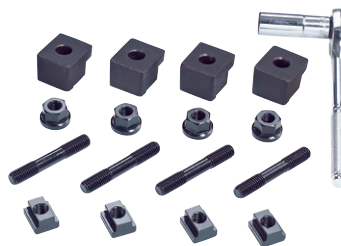
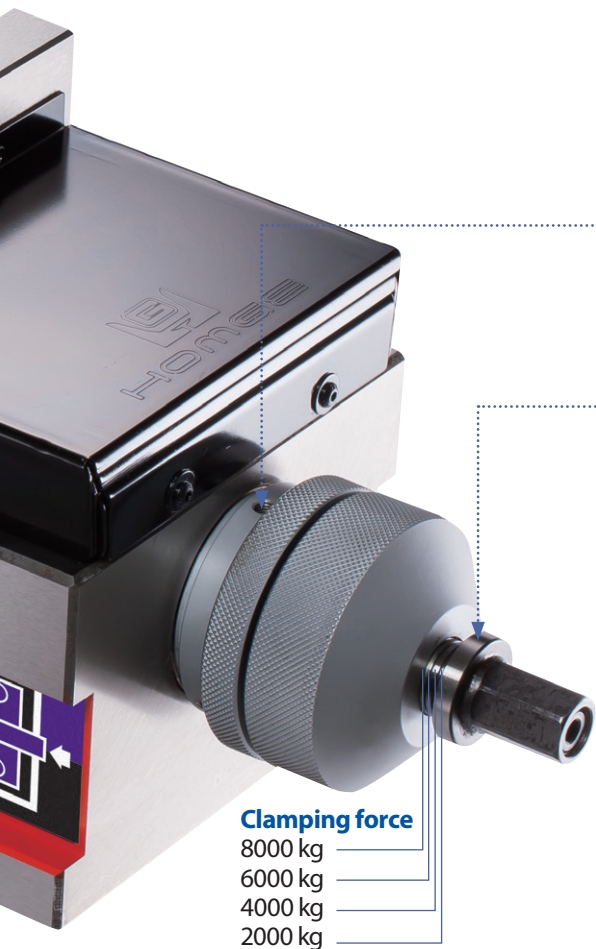
5. The patented **MULTI-POWER SYSTEM** built of **HIGH GRADE BEARING STEEL** doubles the clamping force.

*With the **first half a turn** the vise will clamp with **2500kg** pressure.*

*With a **second half turn** it will apply **4500kg** of clamping force.*

This special patented system makes the clamping force constant.

6. **Adjusting stop ring:** This simple and effective presetting device enables to **preset each desired clamping force** and it guarantees to repeat each clamping operation at the same clamping force.

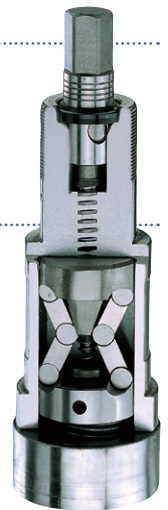


STANDARD ACCESSORIES

- 2 pcs of Alignment Wedge
- 4 pcs of Clamp
- 1 pc of Handle

OPTIONAL ACCESSORIES

- Cross Grooved Jaws
- "V" Jaws
- Combined Jaws
- Step Jaws



The patented **MULTI-POWER SYSTEM** built of **HIGH GRADE BEARING STEEL** provides extremely high clamping pressure. The pressure is more consistent and eliminates all leakage and maintenance problems associated with Hydraulic Vises.

Fixed height so several vises can be used together.

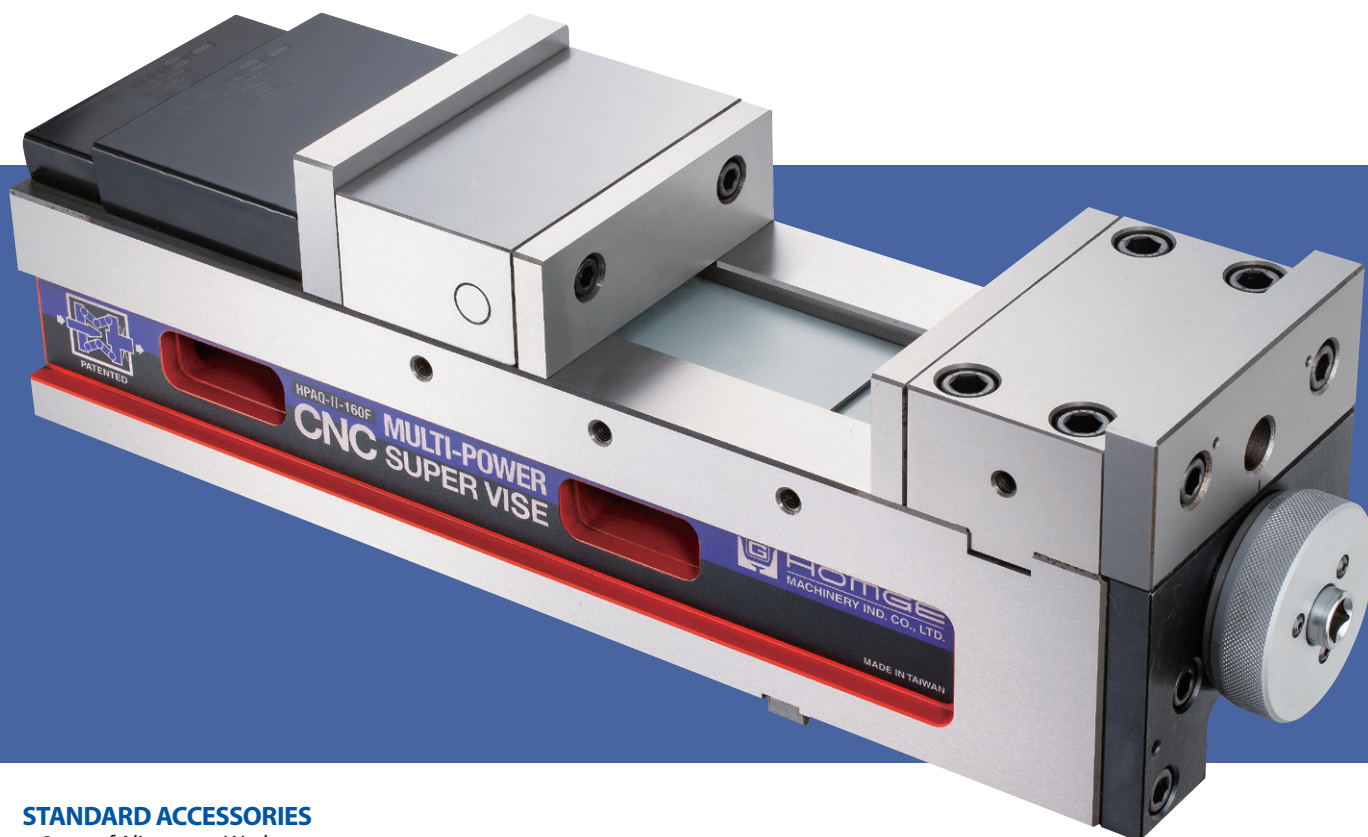
This vise is highly suitable for **precision mould making** on machining centers as well as **heavy duty machining** which required high clamping force with high accuracy.

MULTI-POWER CNC SUPER VISE (FRONT-MOUNTING TYPE)

Model: HPAQ-II-160F

PATENTED
M278511
M458489
M435335
M397304
I373394

- Special MULTI-POWER design enhances clamping force of **0~5000kg**
- It's **ergonomics** for easy reach, thus saves time and prevents back strain
- It possesses all features of HPAQ-Type.

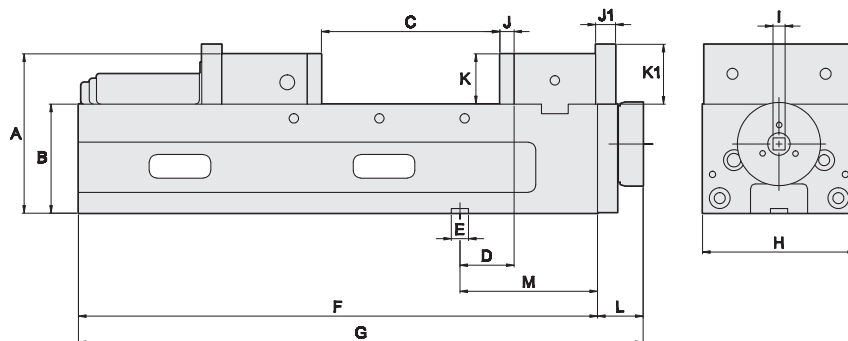


STANDARD ACCESSORIES

- 2 pcs of Alignment Wedge
- 4 pcs of Clamp
- 1 pc of Handle

OPTIONAL ACCESSORIES

- Cross Grooved Jaws
- "V" Jaws
- Combined Jaws
- Step Jaws



SPECIFICATIONS (Material: FCD 60 Ductile Iron. Hardness: HRC 50°)

Unit: mm

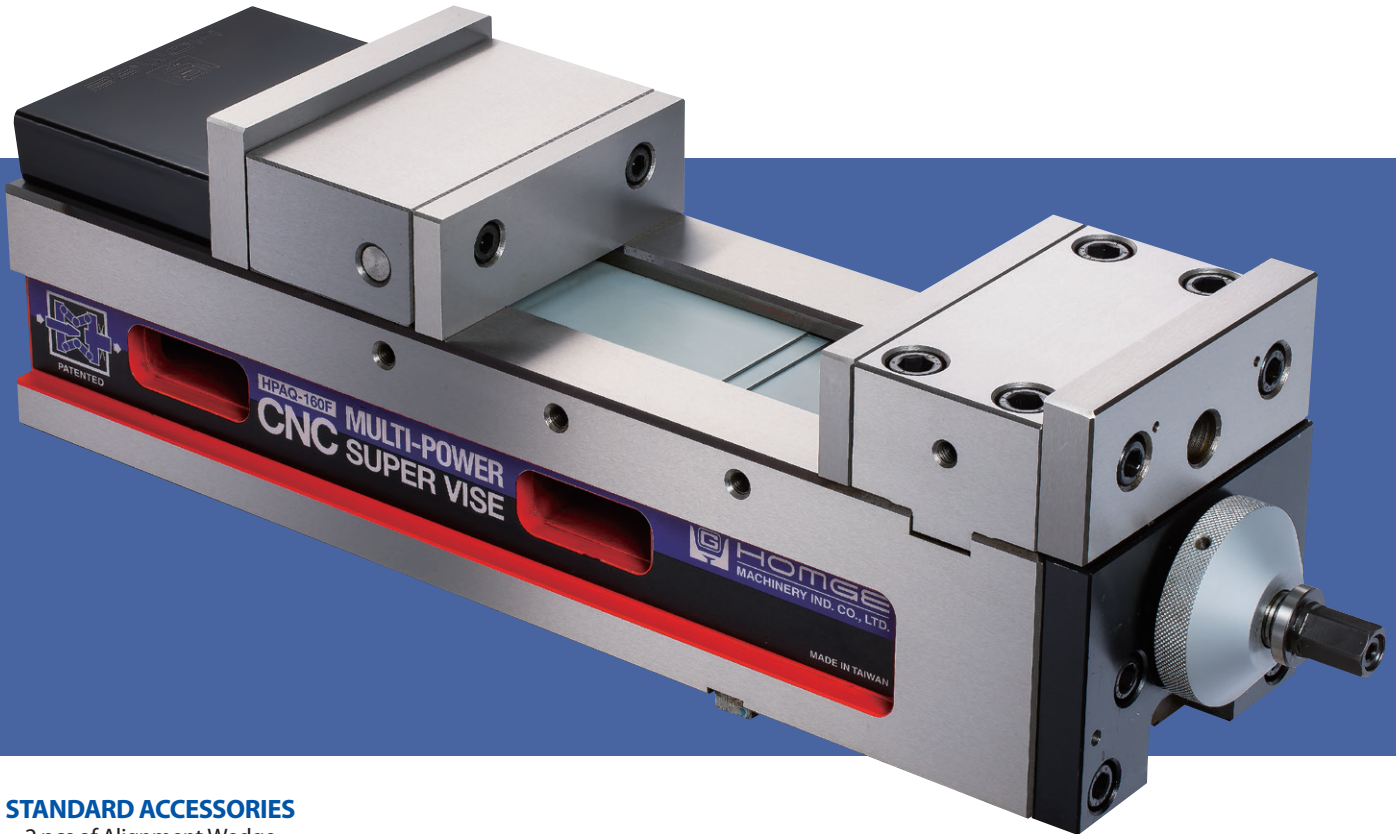
MODEL	A	B	C	D	E	F	G	H	I
HPAQ-II-160F	168	115±0.01	0-300	57±0.02	18	547	595	161	12.7
MODEL	J	J1	K	K1	L	M	Max. Clamping Force	Weight (kg)	
HPAQ-II-160F	15	20	53	63	49	145	5000 kg	70	

MULTI-POWER CNC SUPER VISE (FRONT-MOUNTING TYPE)

Model: HPAQ-160F, 200F

PATENTED
 M278511
 M458489
 M287204
 M435335
 M397304

- Special MULTI-POWER design enhances clamping force of **0~6000kg**
- It's **ergonomics** for easy reach, thus saves time and prevents back strain
- It possesses all features of HPAQ-Type

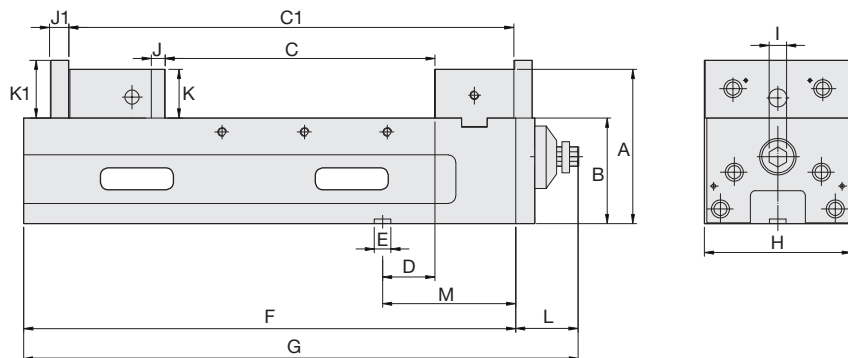


STANDARD ACCESSORIES

- 2 pcs of Alignment Wedge
- 4 pcs of Clamp
- 1 pc of Handle

OPTIONAL ACCESSORIES

- Cross Grooved Jaws
- "V" Jaws
- Comvbined Jaws
- Step Jaws



SPECIFICATIONS (Material: FCD 60 Ductile Iron. Hardness: HRC 50°)

Unit: mm

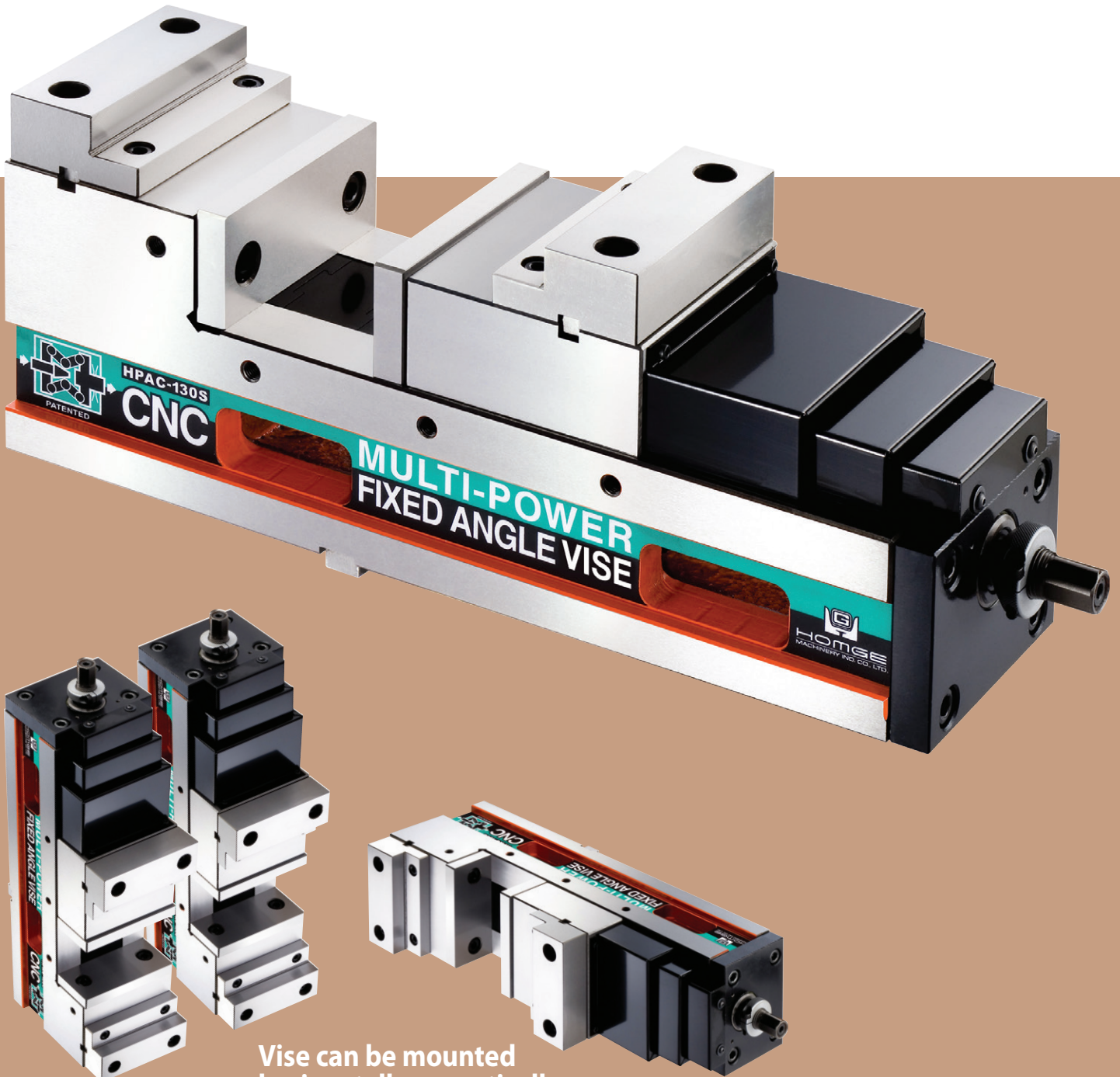
MODEL	A	B	C	C1	D	E	F	G	H
HPAQ-160F	168	115±0.01	0-290	195-480	57±0.02	18	536	637	161
HPAQ-200F	187	120±0.01	0-330	200-550	66±0.02	18	616	715	201
MODEL	I	J	J1	K	K1	L	M	Max. Clamping Force	Weight (kg)
HPAQ-160F	19	15	20	53	63	101	145±0.02	5000 kg	70
HPAQ-200F	19	18	24	66	75	99	168±0.02	6000 kg	120

MULTI-POWER CNC PRECISION FIXED ANGLE VISE

Model: HPAC-100S, 130S, 160S

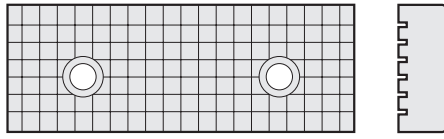
PATENTED
142711
M224615
M287204
M344941

- Shortest Length with Big Jaw Opening
- Extremely High Accuracy and Repeatability
- Special MULTI-POWER design enhances clamping force of **0 ~ 6000KG**

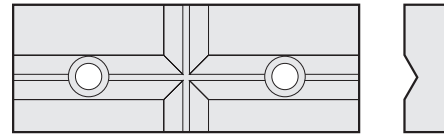


Vise can be mounted
horizontally or vertically.

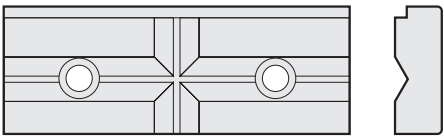
OPTIONAL ACCESSORIES:



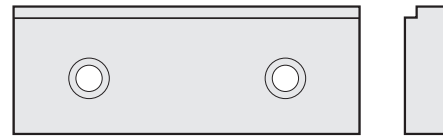
1) Cross Grooved Jaws



2) 'V' Jaws

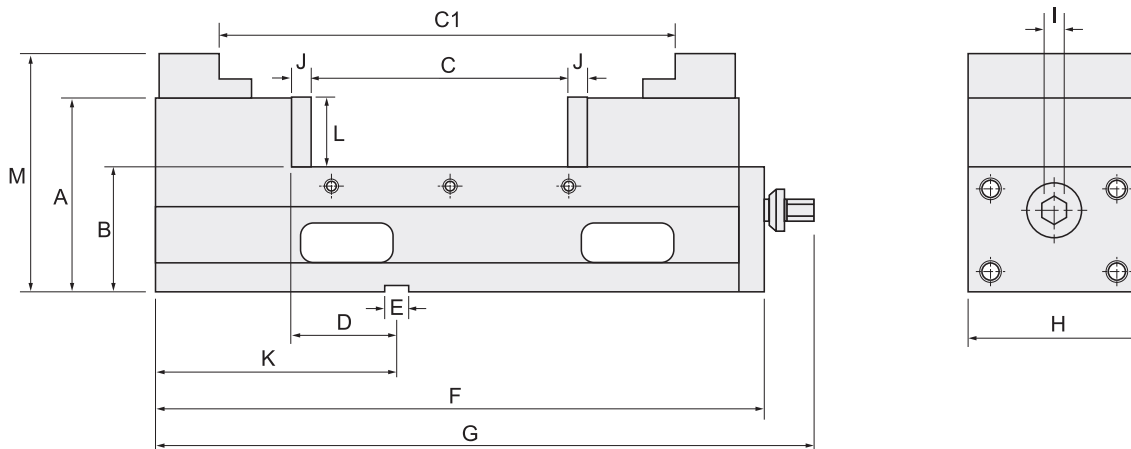


3) Combined Jaws



4) Step Jaws

DIMENSIONS



SPECIFICATIONS (Material: FCD 60 Ductile Iron, Hardness: HRC 50°)

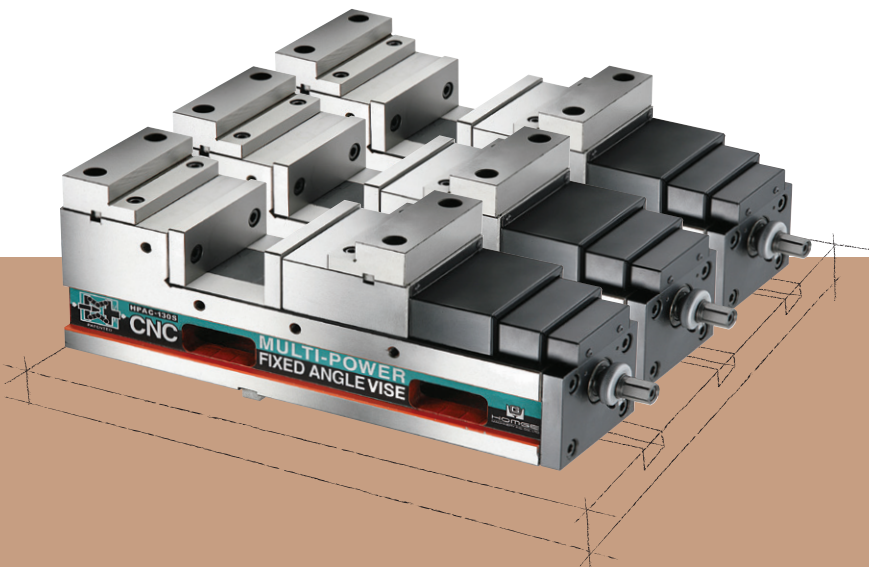
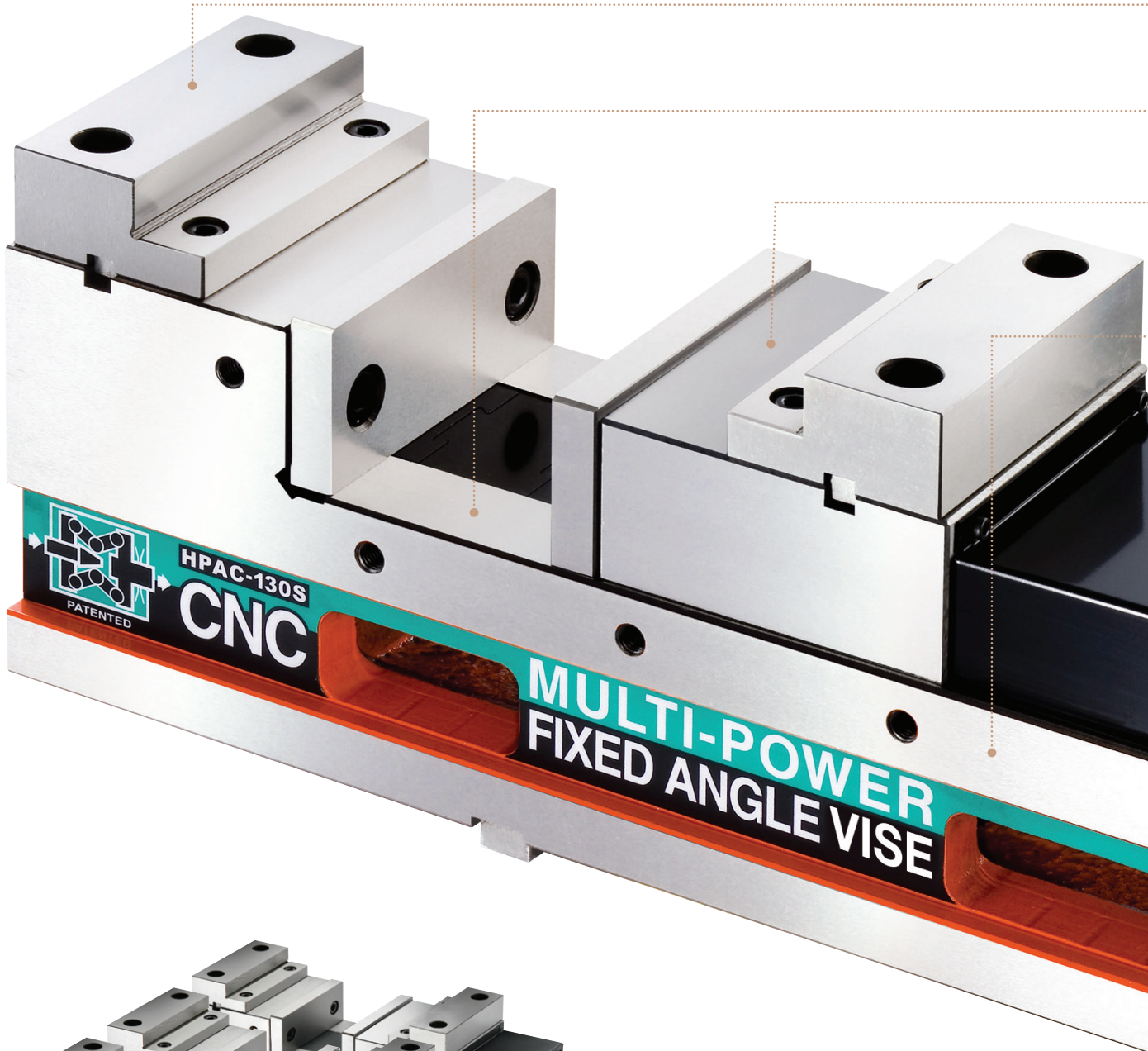
Unit: mm

Model	A	B	C	C1	D	E	F	G
HPAC-100S	127	85 ± 0.01	0-170	115-280	75 ± 0.02	18	414	460
HPAC-130S	147	95 ± 0.01	0-190	155-340	75 ± 0.02	18	462	510
HPAC-160S	160	105 ± 0.01	0-300	190-450	80 ± 0.02	18	550	595
Model	Max. Clamping Force	H	I	J	K	L	M	Weight (kg)
HPAC-100S	4000kg	100	19	15	178	44	153	32
HPAC-130S	5000kg	131	19	15	178	55	181	46.5
HPAC-160S	6000kg	160	19	15	183	58	196	64

PATENTED
142711
M224615
M287204
M344941

MULTI-POWER CNC PRECISION FIXED ANGLE VISE

Model: HPAC-100S, 130S, 160S



*Fixed height
Special for*

1. The patented MULTI-POWER SYSTEM is built of **HIGH GRADE BEARING STEEL** which doubles the clamping force. Adjustable clamping force of **0~6000kg**. With this special patented system the clamping force remains the same.

2. Slide ways are **HARDENED** to **HRC 50°** to further increase durability and maintain positioning height over long use.

3. Using high-grade iron of over FCD 60 grade for high rigidity and also **ANGLE-LOCK SYSTEM**, which automatically pulls the work-piece down to the accurate position of within 0.01mm under 4500kg of pressure, this vise is most suitable for precision mould making on Machining Centers.

4. Vise body is made of **Ductile Iron** above **FCD 60** grade for high precision and durability. It is made in one solid piece and has very high rigidity with a force of 4500kg, the shape will deflect less than 0.01mm.

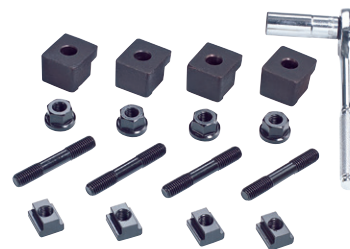
5. Vise can be mounted horizontally or vertically.

6. Adjusting stop ring: this simple and effective presetting device enables to **preset each desired clamping force** and it guarantees to repeat each clamping operation at the same clamping force.



Clamping Force

- 6000 kg
- 4000 kg
- 2000 kg



STANDARD ACCESSORIES

- 2 pcs of Alignment Wedge
- 4 pcs of Clamp
- 1 pc of Handle

OPTIONAL ACCESSORIES

- Cross Grooved Jaws
- "V" Jaws
- Combined Jaws
- Step Jaws



The patented MULTI-POWER SYSTEM built of **HIGH GRADE BEARING STEEL** provides extremely high clamping pressure. The pressure is more consistent and eliminates all leakage and maintenance problems associated with Hydraulic Vises.

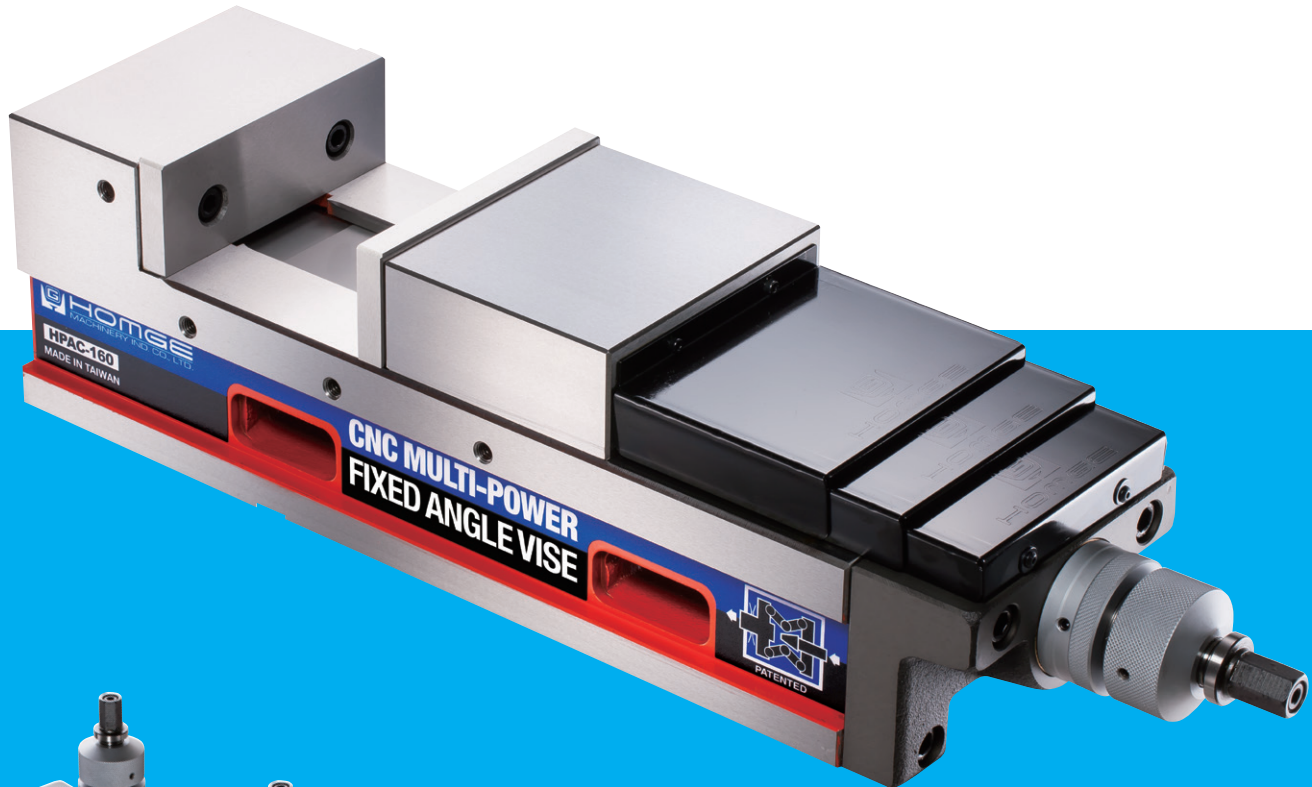
so several vises can be used together.
High Speed CNC Machining Center

MULTI-POWER CNC PRECISION FIXED ANGLE VISE

Model: HPAC-130, 160, 160L, 200

- Extremely high accuracy and repeatability
- Adjustable clamping force of **0~8000KG**

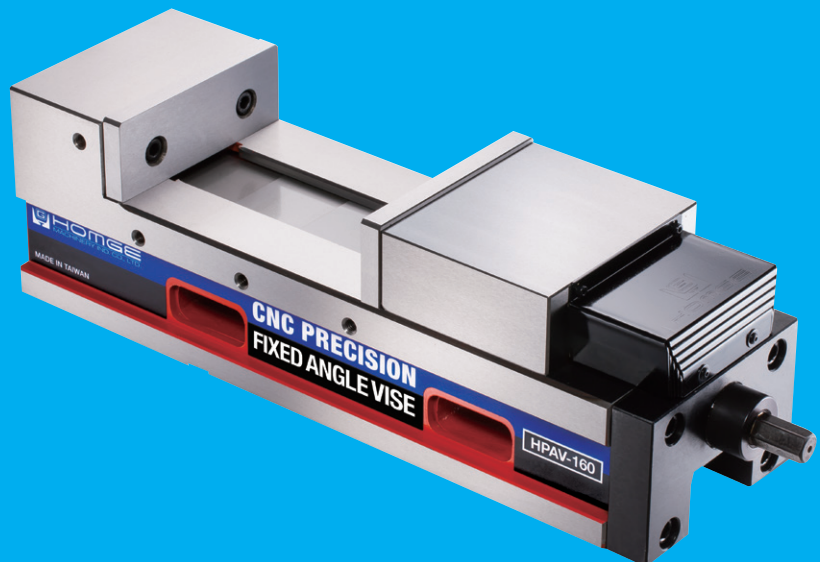
PATENTED
M458489
M395751
M390838
M435335

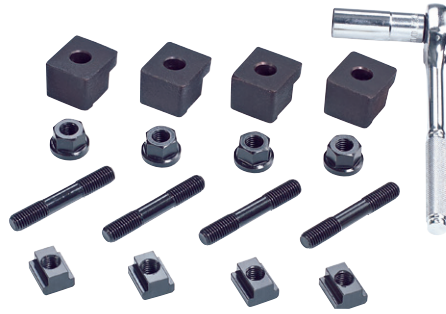


CNC PRECISION FIXED ANGLE VISE

Model: HPAV-130, 160, 160L, 200

This vise has the same features as model HPAC above but has standard clamping screw instead of the MULTI-POWER SYSTEM.

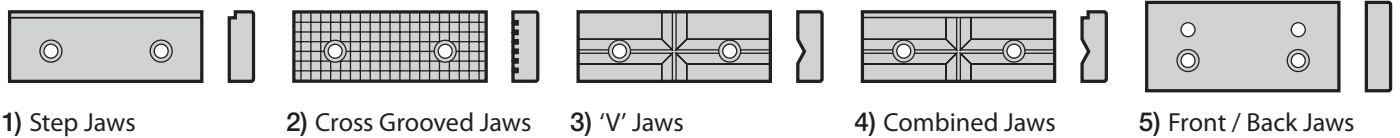




OPTIONAL ACCESSORIES

- 2 pcs of Alignment Wedge
- 4 pcs of Clamp
- 1 pc of Handle

OPTIONAL ACCESSORIES



1) Step Jaws

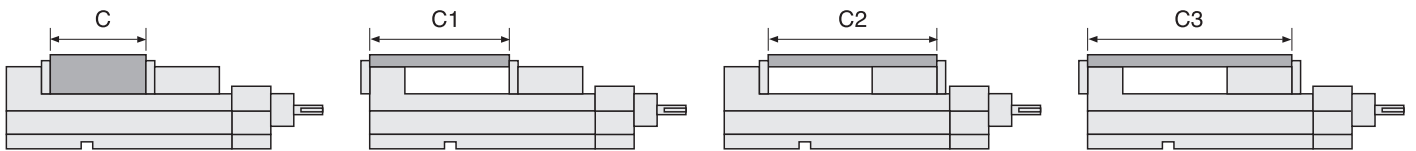
2) Cross Grooved Jaws

3) 'V' Jaws

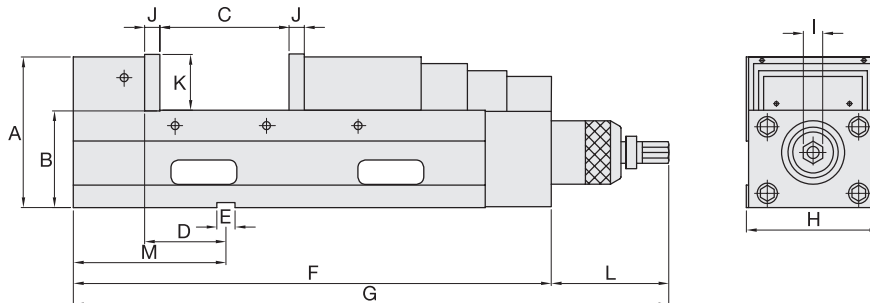
4) Combined Jaws

5) Front / Back Jaws

DIMENSIONS FOR 4 JAW PLATE POSITIONS



DIMENSIONS



SPECIFICATIONS (Material: FCD 60 Ductile Iron. Hardness: HRC 50°)

Unit: mm

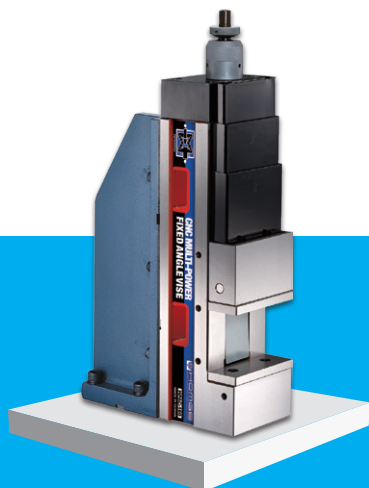
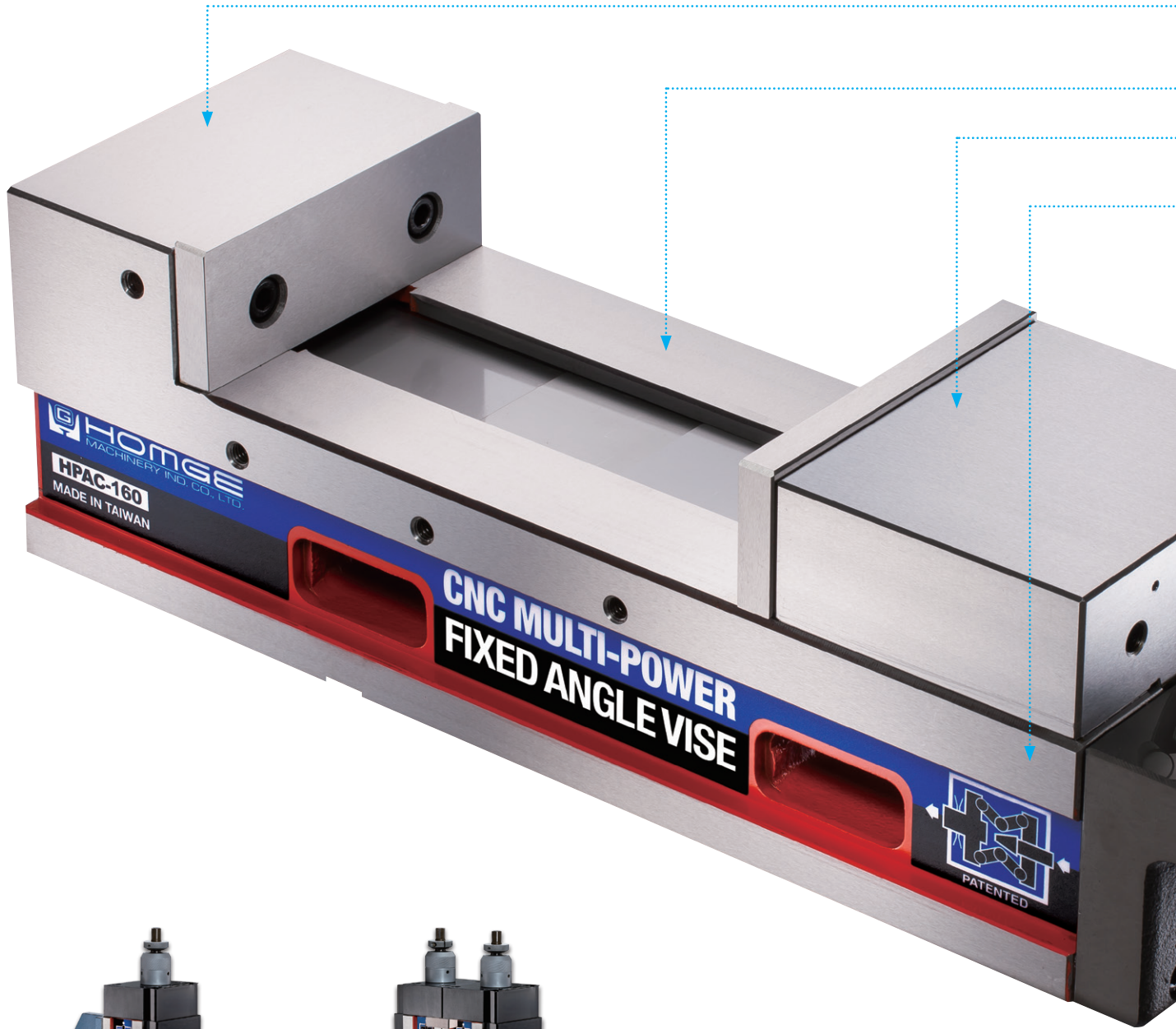
Model	A	B	C	C1	C2	C3	D	E	F
HPAC-130	147	95±0.01	0-190	70-260	115-305	185-375	80±0.02	18	475
HPAC-160	160	105±0.01	0-250	85-325	140-375	220-460	80±0.02	18	560
HPAC-160L	160	105±0.01	0-300	85-375	110-395	190-480	80±0.02	18	580
HPAC-200	170	110±0.01	0-305	90-380	155-440	240-530	100±0.02	18	635

Model	G	H	I	J	K	L	M	Max. Clamping Force	Weight (kg)
HPAC-130	583	131	19	15	55	120	150	6000kg	47
HPAC-160	670	161	19	15	58	120	165	8000kg	65
HPAC-160L	690	161	19	15	58	120	165	8000kg	67
HPAC-200	743	201	19	18	63	120	197	8000kg	95

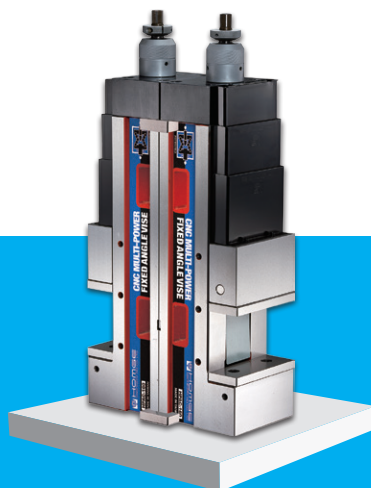
PATENTED
M458489
M395751
M390838
M435335

MULTI-POWER CNC PRECISION FIXED ANGLE VISE

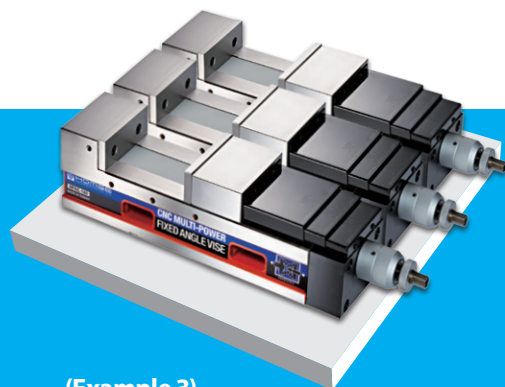
Model: HPAC-130, 160, 160L, 200



(Example 1)



(Example 2)



(Example 3)

1. Vise body is made of **Ductile Iron** above **FCD 60** grade for high precision and durability and is made in one solid piece. It has very high rigidity and with a force of 4500kg, the shape will deflect less than **0.01mm**.

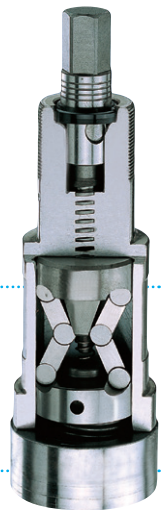
2. Slide ways are **HARDENED** to **HRC 50°** to further increase durability and maintain positioning height over long use.

3. Using high-grade iron of over FCD 60 grade for high rigidity and also **ANGLE-LOCK SYSTEM** which automatically pulls the work-piece down to the accurate position of within **0.01mm** under 4500kg of pressure, this vise is most suitable for precision mould making on Machining Centers.

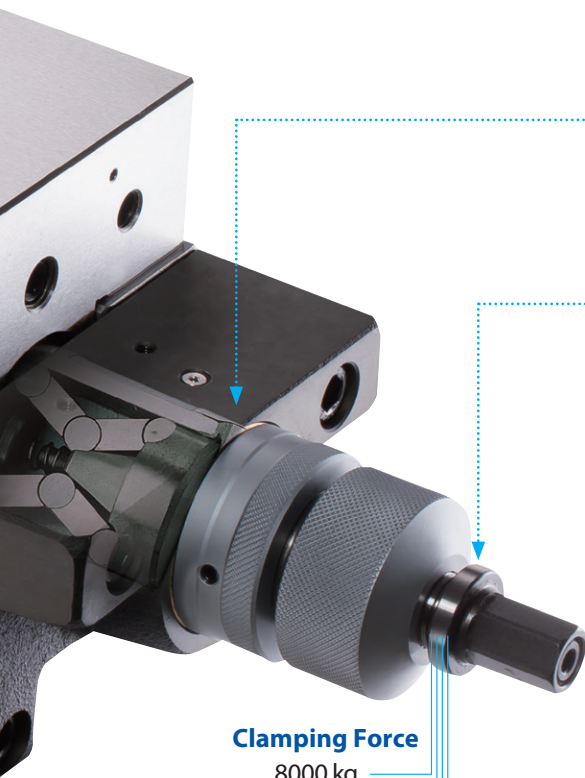
4. Vise can be mounted horizontally or vertically.

5. The patented MULTI-POWER SYSTEM built of **HIGH GRADE BEARING STEEL** doubles the clamping force.
*With the **first half a turn** the vise will clamp with **2500kg** pressure.*
*With **a second half turn** it will apply **4500kg** of clamping force.*
This special patented system makes the clamping force constant.

6. **Adjusting stop ring:** this simple and effective presetting device enables to **preset each desired clamping force** and it guarantees to repeat each clamping operation at the same clamping force.

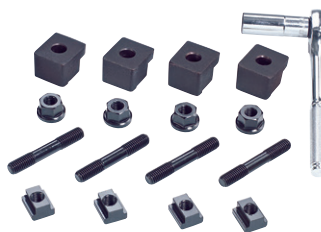


The patented MULTI-POWER SYSTEM built of **HIGH GRADE BEARING STEEL** provides extremely high clamping pressure. The pressure is more consistent and eliminates all leakage and maintenance problems associated with Hydraulic Vises.



Clamping Force

- 8000 kg
- 6000 kg
- 4000 kg
- 2000 kg



STANDARD ACCESSORIES

- 2 pcs of Alignment Wedge
- 4 pcs of Clamp

OPTIONAL ACCESSORIES

- Cross Grooved Jaws
- 'V' Jaws
- Combined Jaws
- Step Jaws
- Front / Back Jaws

Fixed height so several vises can be used together.

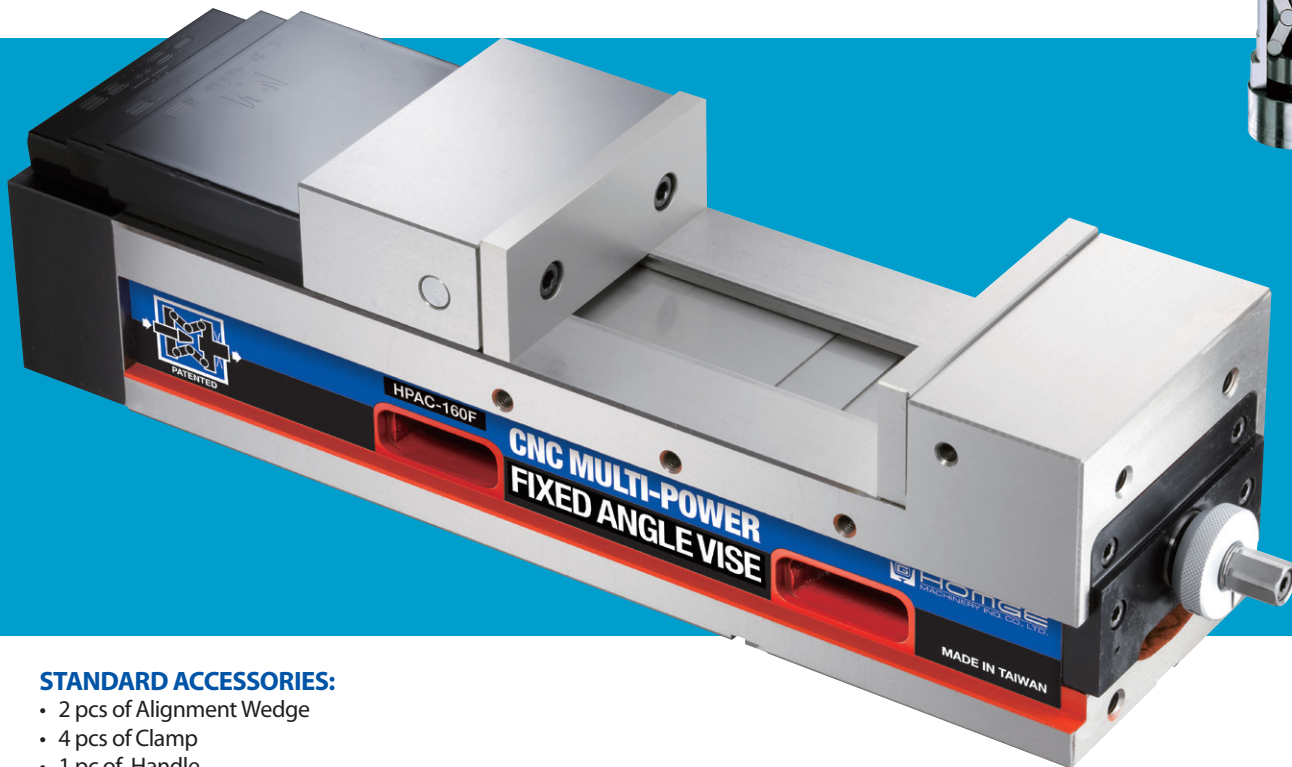
This product is suitable for multi-unit applications on both horizontal and vertical CNC Machining Centers as well as conventional Milling Machines where heavy duty machining requires a very high clamping force.

MULTI-POWER CNC PRECISION FIXED ANGLE VISE (FRONT-MOUNTING TYPE)

Model: HPAC-160F, 200F

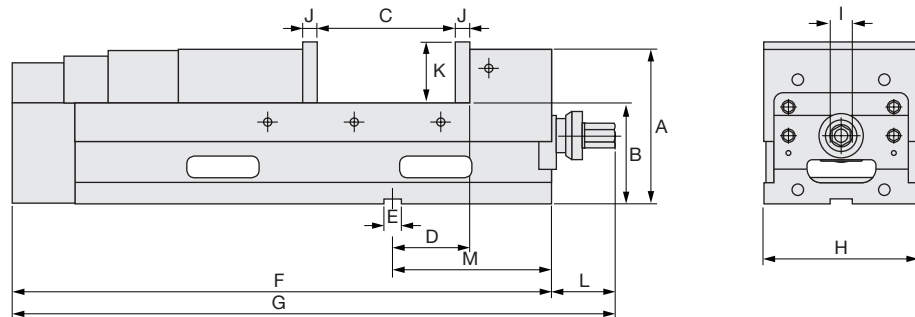
- Special MULTI-POWER design enhances clamping force of **0~6000kg**
- It's **ergonomics** for easy reach, thus saves time and prevents back strain.
- The HPAC-160F possesses all features of HPAC-Type.

PATENTED
M287204
M458489
M397304
M278511



STANDARD ACCESSORIES:

- 2 pcs of Alignment Wedge
- 4 pcs of Clamp
- 1 pc of Handle



SPECIFICATIONS (Material: FCD 60 Ductile Iron. Hardness: HRC 50°)

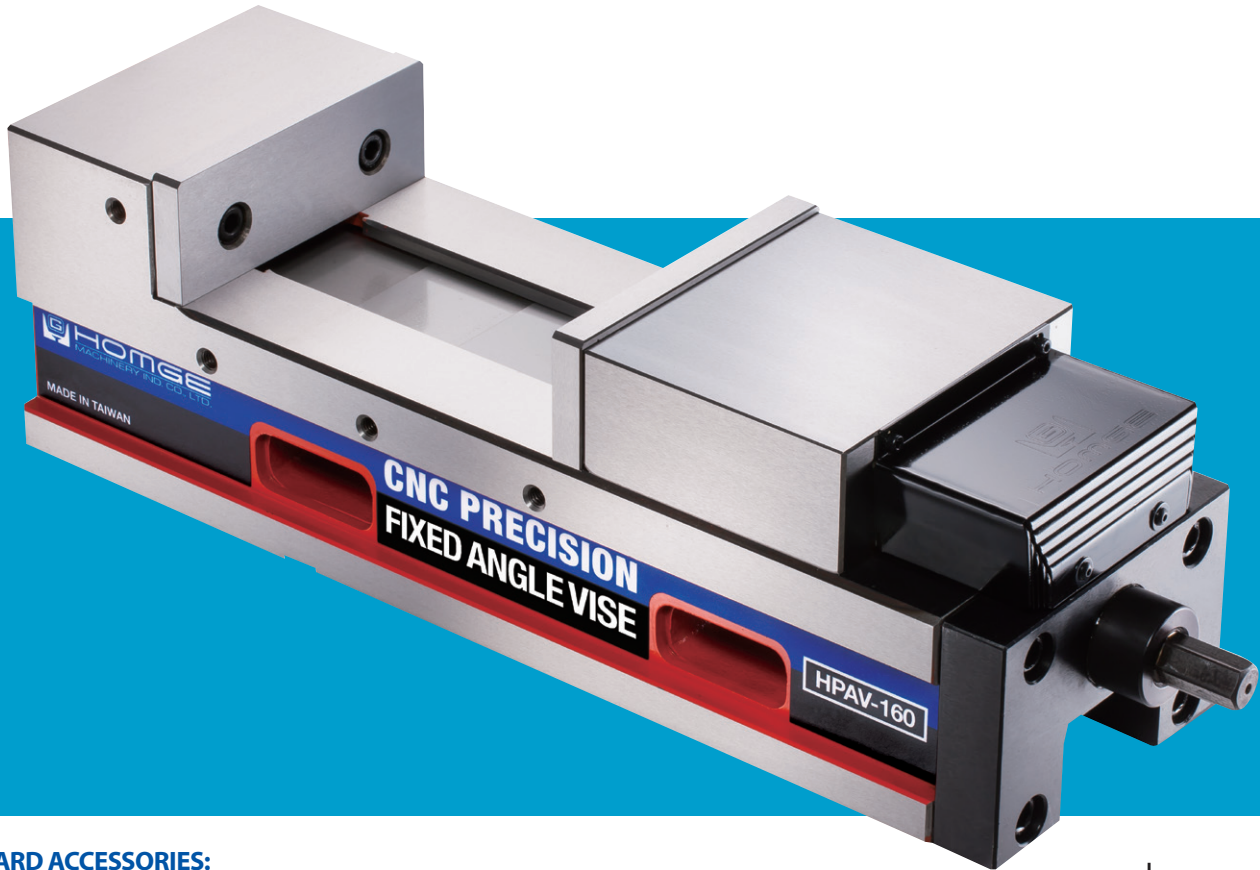
Unit: mm

MODEL	A	B	C	C1	C2	C3	D	E	F
HPAC-160F	160	105±0.01	0-300	85-375	110-395	190-480	80±0.02	18	580
HPAC-200F	170	110±0.01	0-290	99-280	155-440	240-530	100±0.02	18	635
MODEL	G	H	I	J	K	L	M	Max. Clamping Force	Weight (kg)
HPAC-160F	637	161	19	15	58	57	165±0.02	5000 kg	65
HPAC-200F	743	201	19	18	63	57	197±0.02	6000 kg	95

CNC PRECISION FIXED ANGLE VISE

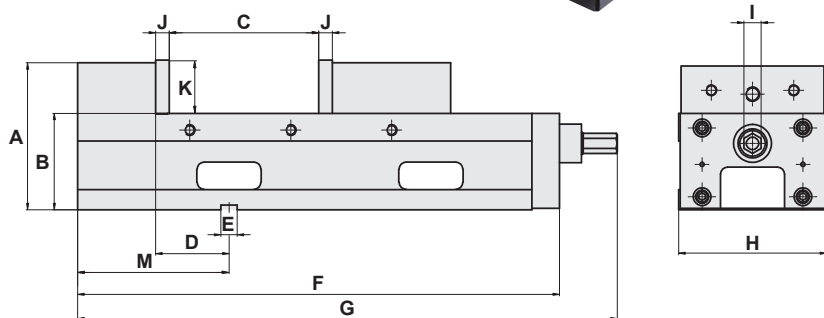
Model: HPAV-130, 160, 160L, 200

- This vise has the same features as model HPAC above but has standard clamping screw instead of the MULTI-POWER SYSTEM.



STANDARD ACCESSORIES:

- 2 pcs of Alignment Wedge
- 4 pcs of Clamp
- 1 pc of Handle



SPECIFICATIONS (Material: FCD 60 Ductile Iron. Hardness: HRC 50°)

Unit: mm

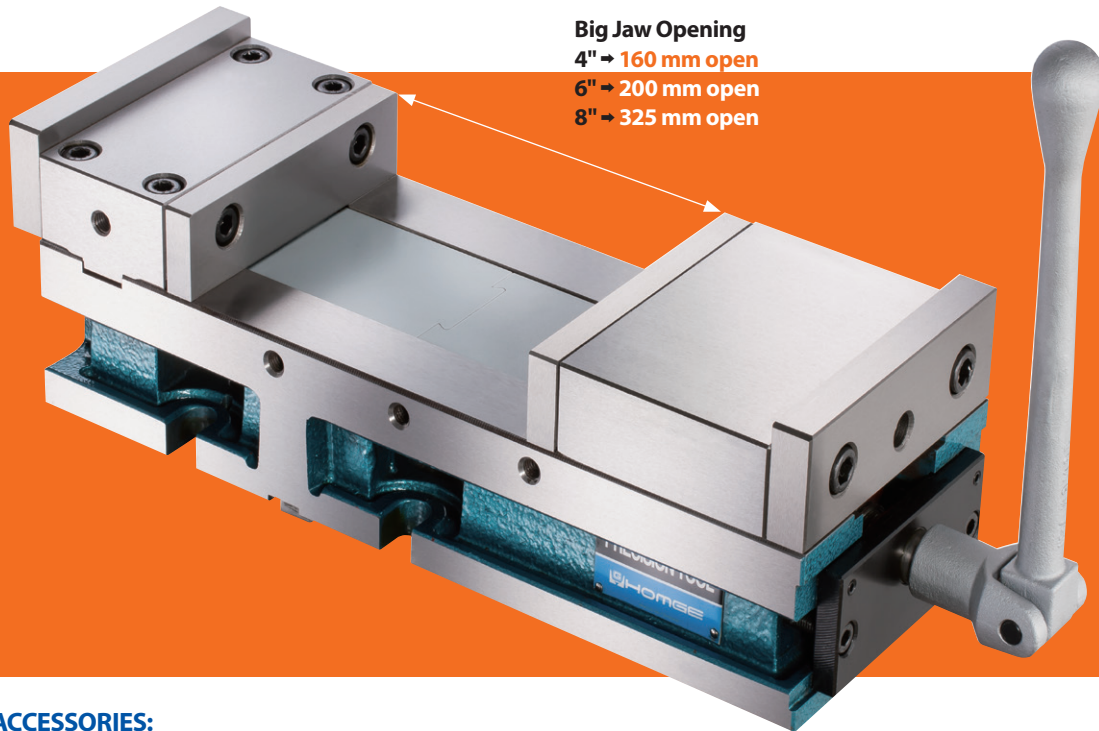
Model	A	B	C	C1	C2	C3	D	E
HPAV-130	147	95±0.01	0-190	70-260	115-305	185-375	80±0.02	18
HPAV-160	160	105±0.01	0-250	85-325	140-375	220-460	80±0.02	18
HPAV-160L	160	105±0.01	0-300	85-375	110-395	190-480	80±0.02	18
HPAV-200	170	110±0.01	0-290	90-380	155-440	240-530	100±0.02	18
Model	F	G	H	I	J	K	M	Weight (kg)
HPAV-130	440	503	131	19	15	55	150	42
HPAV-160	525	588	161	19	15	58	165	60
HPAV-160L	545	608	161	19	15	58	165	62
HPAV-200	600	662	201	19	18	63	197	90

CNC PRECISION VECTOR VISE

Model: HVV-4", 6", 8"

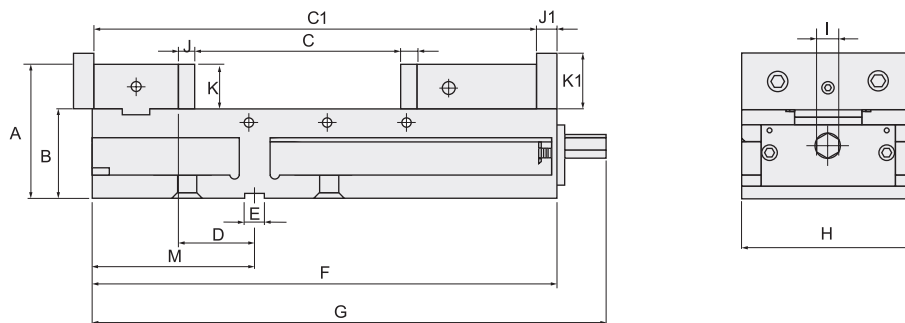
PATENTED
M278511
M338717

- **Super-Big Jaw Opening**
- **Special ANGLE-LOCK SYSTEM** ensures to pull the work-piece down to the accurate position
- **Fixed Height**, so several vises can be used together



STANDARD ACCESSORIES:

- 1 Set of Front/Back Jaws
- 4 pcs of Clamp



SPECIFICATIONS (Material: FCD 60 Ductile Iron. Hardness: HRC 50°)

Unit: mm

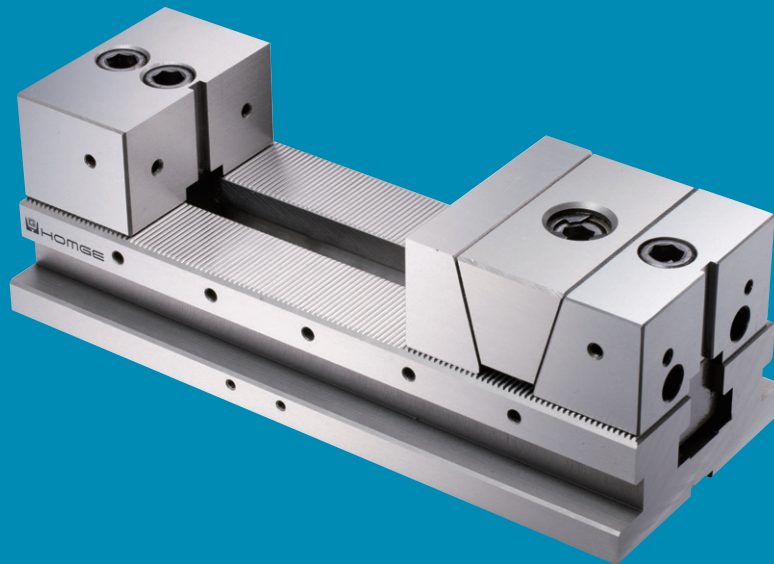
MODEL	A	B	C	C1	D	E	F	G	H
HVV-4"	91	62±0.01	160	320	73±0.02	18	325	365	105
HVV-6"	120	80±0.01	200	410	68±0.02	18	419	468	154
HVV-8"	136	84±0.01	325	550	76±0.02	18	556	612	202
MODEL	I	J	J1	K	K1	M	Weight (kg)		
HVV-4"	14	15	18	28.5	37	120±0.02	18		
HVV-6"	19	15	18	39.5	50	143±0.02	37		
HVV-8"	19	18	21	51.5	60	168±0.02	60		

CNC COMPACT VISE

Model: S-100

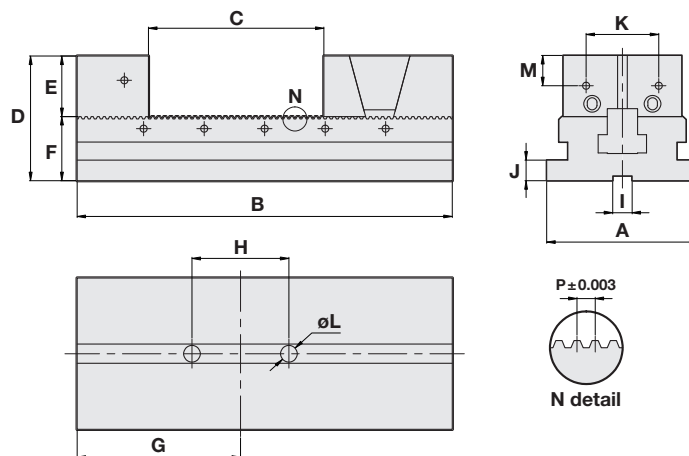
PATENTED
216009
M266131

- Big Jaw Opening of **150mm**.
- Vise Jaws are made of high quality **Tool Steel** with heat treatment to HRC 56°, and ground precisely to ensure the durability and high accuracy.
- **Fixed Height**, suitable for high speed CNC machining centers, tapping centers ... etc.



STANDARD ACCESSORIES:

- 4 pcs of Clamp
- 1 pc of Wrench



SPECIFICATIONS (Material: Vise Body: Steel. Hardness: HRC 52°)

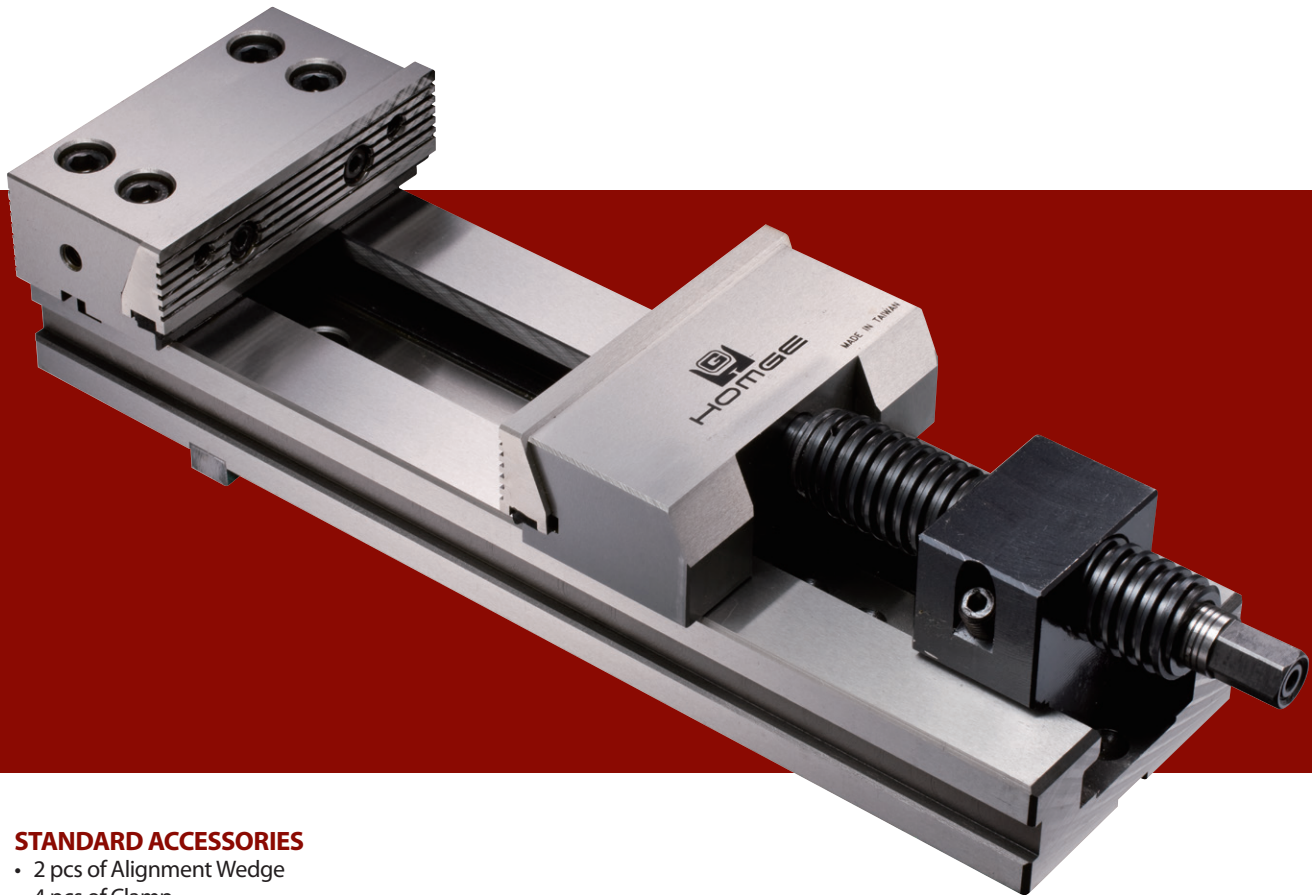
Unit: mm

MODEL	A	B	C	D	E	F	G	H
S-100	125	310	150	103	50	53±0.01	135	80
MODEL	I	J	K	L	M	P	Weight (kg)	
S-100	16	17	60	ø14	25	2.5	20	

PRECISION RAPID VISE (HYDRAULIC TYPE)

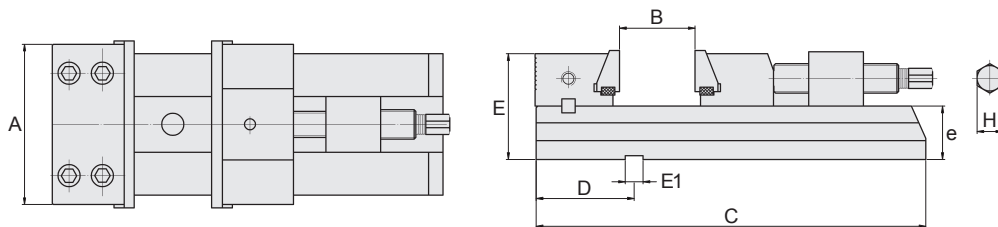
Model: HG-150h(A,B,C,D), 175h(B,C,D), 200h(A,B,C)

- Designed with HYDRAULIC LEAD SCREW for easy operation.
- This vise possesses all features of HG-Type.



STANDARD ACCESSORIES

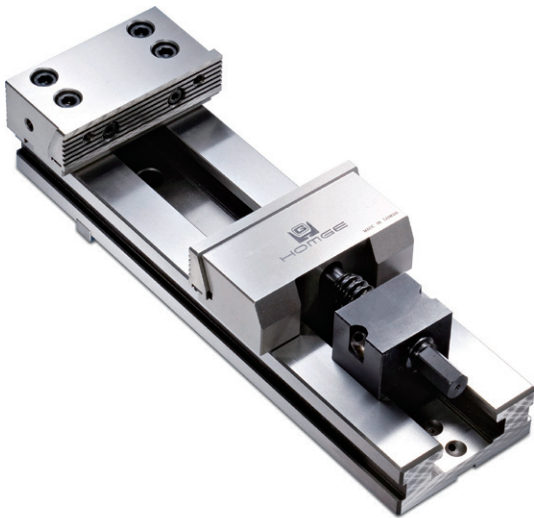
- 2 pcs of Alignment Wedge
- 4 pcs of Clamp
- 1 pc of Handle



SPECIFICATIONS (Material: S50C. Hardness: HRC 52°~56°)

Unit: mm

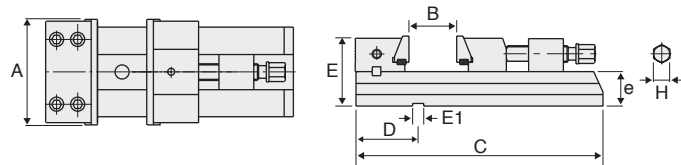
MODEL	A	B	C	D	E	E1	e	H	Clamping force	Weight (kg)
HG-150hA	150	150	350	85±0.02	95	18	48±0.01	19	4000 kg	23.5
HG-150hB		200	400							25.5
HG-150hC		250	450							27.5
HG-150hD		300	500							29.5
HG-175hB	175	200	450	85±0.02	119	18	62±0.01	19	4000 kg	42.5
HG-175hC		250	500							46.5
HG-175hD		300	550							51.5
HG-200hA	205	200	470	85±0.02	126	18	63±0.01	19	4000 kg	55.5
HG-200hB		250	520							63.5
HG-200hC		300	570							73.5



PRECISION RAPID VISE

Model: HG-100,150(A,B,C,D),
HG-175(B,C,D), 200(A,B,C)

- Designed with an instant clamping Hex-Nut for quick adjustment when clamping different work-pieces with irregular lengths.
- Movable Jaw can be easily moved for clamping etc.
- Jaws are slotted for increased grip on workpiece.
- Movable Jaw is short in length for maximum opening capacity.
- Tapered Jaws provide more stable clamping.
- Made entirely of steel the Vise is strong and powerful and retains accuracy.
- Compact design allows maximum workholding capacity on machine.



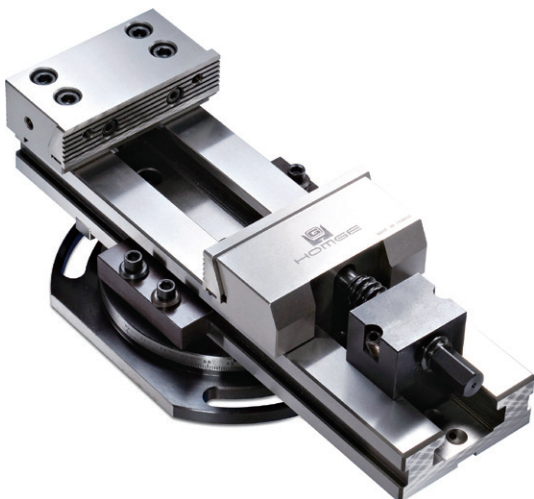
STANDARD ACCESSORIES:

- 2 pcs of Alignment Wedge
- 4 pcs of Clamp

SPECIFICATIONS (Material: S50C. Hardness: HRC 52°~56°)

Unit: mm

Model	A	B	C	D	E	E1	e	H	Clamping force	Weight (kg)
HG-100	100	100	250	73 ± 0.02	68	14	37±0.01	14	1000kg	8
HG-150A	150	150	350	85 ± 0.02	95	18	48±0.01	19	2000kg	23
HG-150B		200	400							25
HG-150C		250	450							27
HG-150D		300	500							29
HG-175B	175	200	450	85 ± 0.02	119	18	62±0.01	19	2500kg	42
HG-175C		250	500							46
HG-175D		300	550							51
HG-200A	205	200	470	85 ± 0.02	126	18	63±0.01	19	2500kg	55
HG-200B		250	520							63
HG-200C		300	570							73

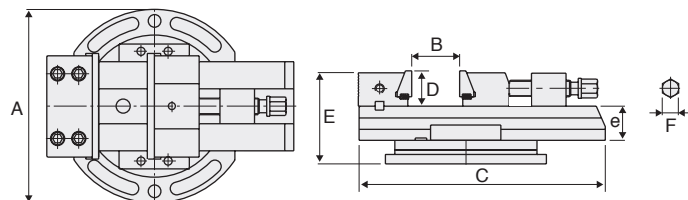


PRECISION RAPID VISE with SWIVEL BASE

Model: HG-150S(A,B,C,D), 200S(A,B,C)

STANDARD ACCESSORIES:

- 2 pcs of Alignment Wedge
- 4 pcs of Clamp



SPECIFICATIONS (Material: S50C. Hardness: HRC 52°~56°)

Unit: mm

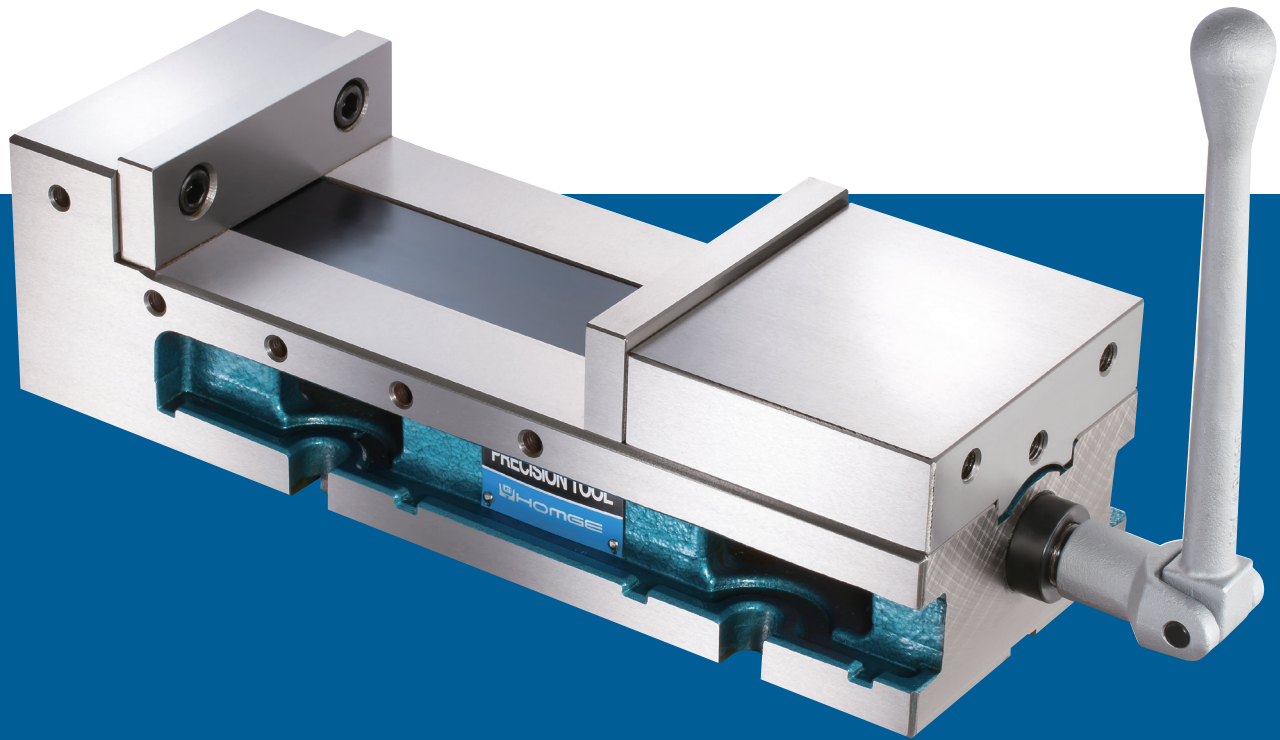
Model	A	B	C	D	E	e	F	Clamping force	Weight (kg)
HG-150SA	275	150	350	50	128	48±0.01	19	2000kg	33
HG-150SB		200	400						35
HG-150SC		250	450						37
HG-150SD		300	500						39
HG-200SA	350	200	470	69	163	63±0.01	19	2500kg	65
HG-200SB		250	520						73
HG-200SC		300	570						83

SUPER-OPEN M/C ANGLE VISE

Model: **GH-6" SUPER-OPEN 8"**
GH-8" SUPER-OPEN 12"

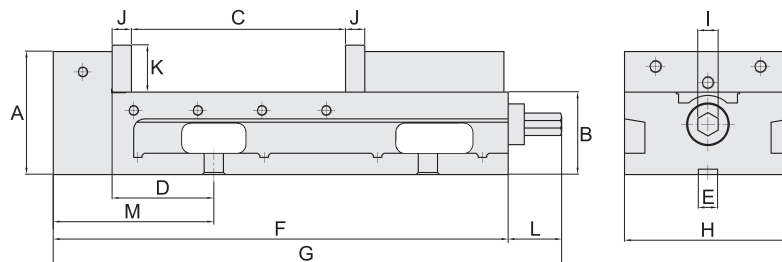
PATENTED
M338717

- Super-Big Jaw Opening
- Designed with one-piece vise body, both sides grounded precisely
- ANGLE-LOCK SYSTEM ensure to pull the work-piece down



STANDARD ACCESSORIES:

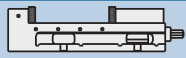
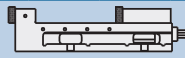
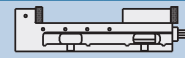
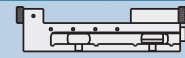
- 2 pcs of Alignment Wedge



SPECIFICATIONS (Material: FCD 55 Ductile Iron. Hardness: HRC 45°)

Unit: mm/inch

MODEL	A	B	C	D	E	F	G	H	I	J	K	L	M	Weight (kg)
GH-6" Super-Open8"	115	77	205	95	18	425	475	156	19	18	44	50	150	30
GH-8" Super-Open12"	148	88	300	100	18	560	610	202	19	18	63	50	175	60

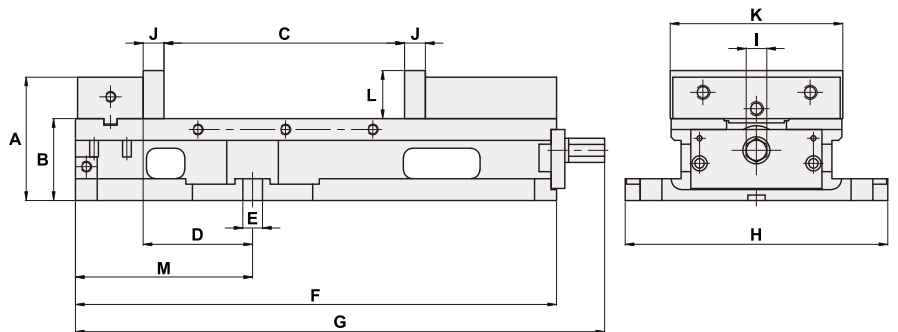
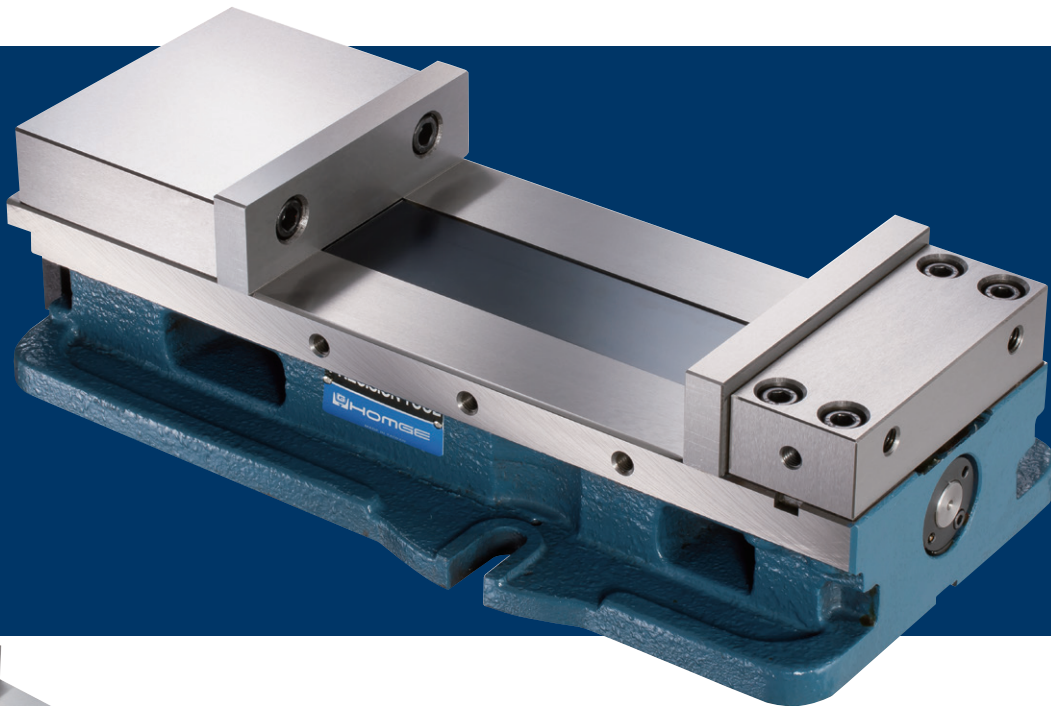
MODEL				
GH-6" Super-Open8"	205	8½	278	11¾ ₂₅
GH-8" Super-Open12"	300	12	393	15 ¹⁸ / ₂₅

PRECISION ANGLE LOCK VISE (FRONT-PULLING TYPE)

**PATENTED
M338717**

Model: TV-6" SUPER-OPEN 10"
TV-8" SUPER-OPEN 12"

- Super-Big Jaw Opening: **10"** for TV-6" and **12"** for TV-8"
- Advanced clamping style by front pulling, which enhances the clamping force and its accuracy
- Constructed with wider fixed jaw by 4 bolts locked on top and lager keyway to ensure accuracy and durability
- Two sides of Vise Body can be used as datum surfaces







OPTIONAL ACCESSORIES:

- Swivel Base

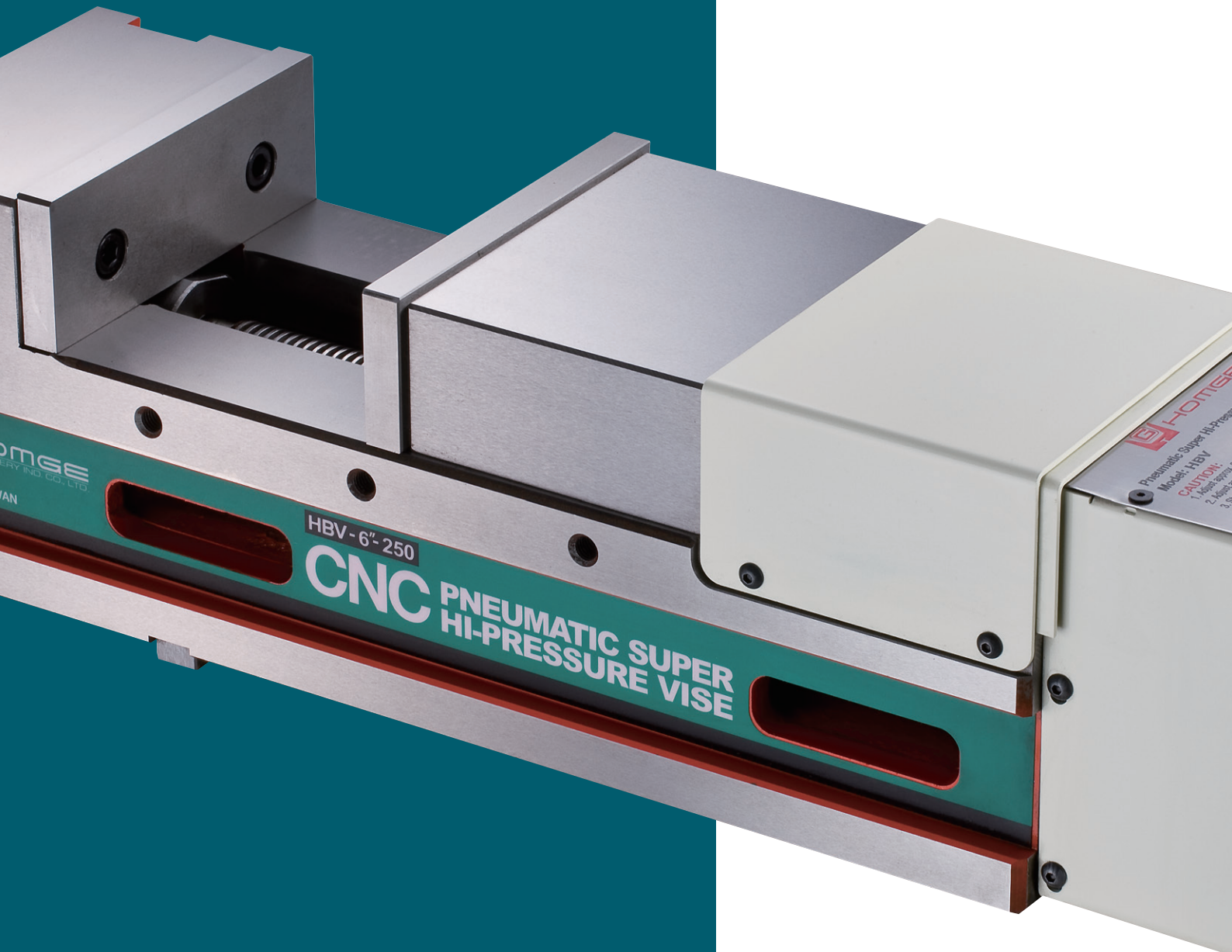
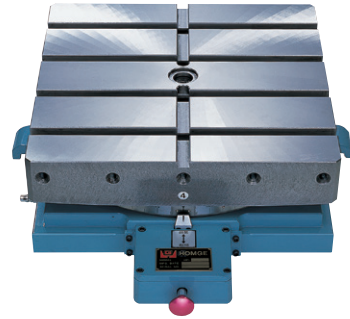
SPECIFICATIONS (Material: FCD 60 ductile Iron. Hardness: HRC 50°)

Unit: mm

MODEL	A	B	C	D	E	F	G	H	I
TV-6" Super-Open 10"	113	77	250	100	16	455	484	240	19
TV-8" Super-Open 12"	139	87	305	138	16	570	620	300	19

MODEL	J	K	L	M					Weight (kg)
TV-6" Super-Open 10"	19	160	44	162	250	329	389	468	36
TV-8" Super-Open 12"	24	215	61	230	305	419	469	583	62

AUTOMATION EQUIPMENT



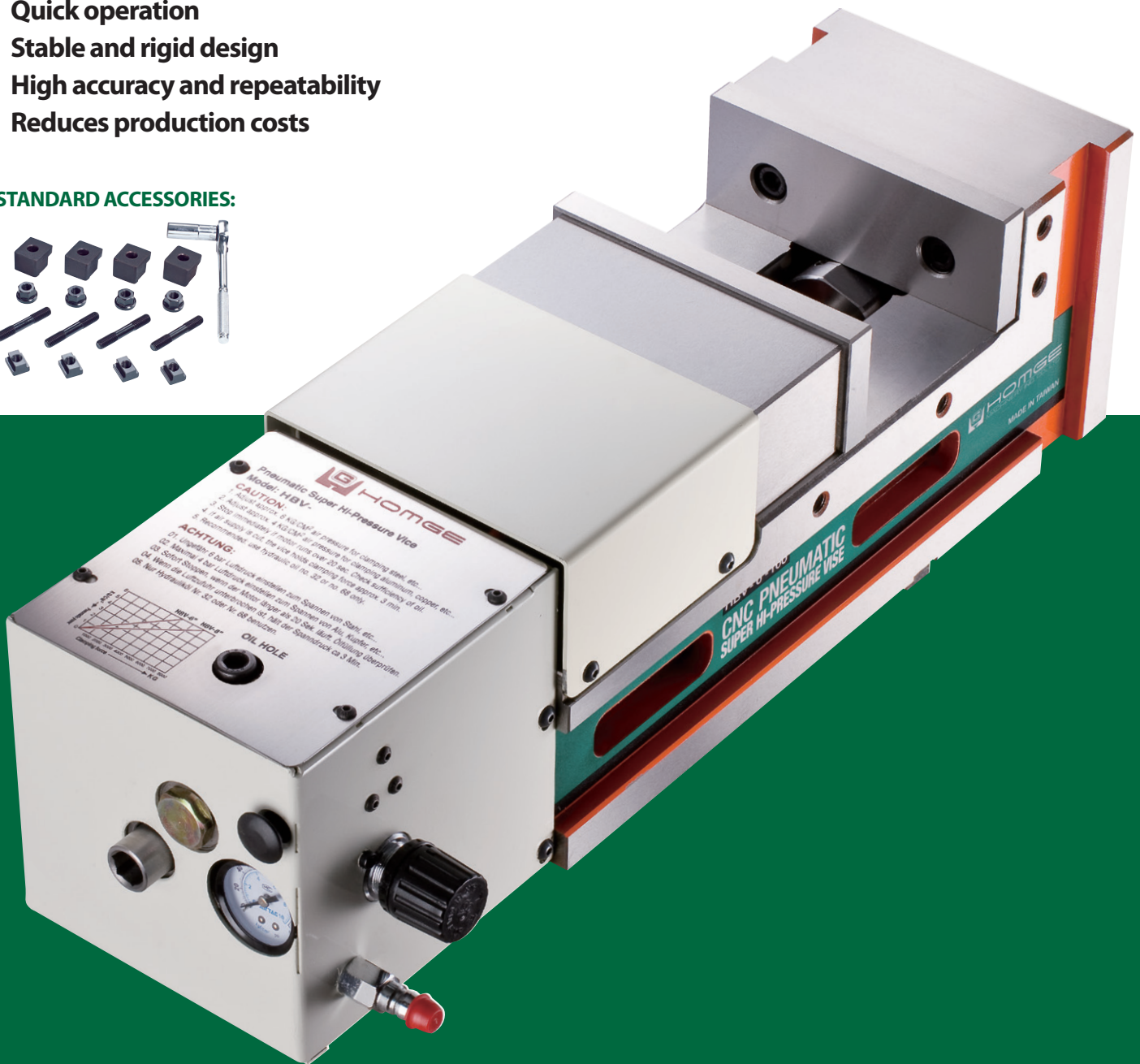
PNEUMATIC SUPER HI-PRESSURE VISE

Model: HBV-4", 5", 6", 8"

PATENTED
M444909
M286744
M451210
M437230
I402140

- High clamping force of **0-8000KG**
- Pressure Adjusting Knob: for quick operations
- Adjustable clamping force of 0-8000kg depends on the material of work-piece.
- Safety range is **8mm**.
- Quick operation
- Stable and rigid design
- High accuracy and repeatability
- Reduces production costs

STANDARD ACCESSORIES:

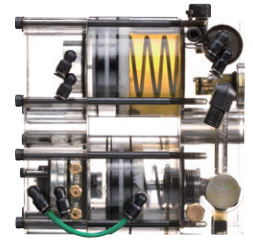


Pneumatic Super Hi-Pressure Vise
Model: HBV-
CAUTION:
1. Adjust Approx. 4 KG/CM² for pressure for clamping steel, etc...
2. Stop immediately if KID/CM² is excessive for clamping aluminum, copper, etc...
3. For safety to cut the vice handle clamping force approx. 3 min.
4. Recommended use hydraulic oil no. 32 or no. 46 only.

ACHTUNG:
01. Luftdruck einstellen zum Spannen von Stahl, etc...
02. Luftdruck einstellen zum Spannen von Alu, Kupfer, etc...
03. Sofort Stoppen, wenn der Motor länger als 20 Sek. durch Clamping überhitzt.
04. Wenn die Leckdruck-überwachen für das der apparaturzeit ca. 3 Min.
05. Nur Hydrauliköl Nr. 32 oder Nr. 46 benutzen.

HT/CM² HT/CM²
Clamping force and oil flow rate of the
A-10

OIL HOLE



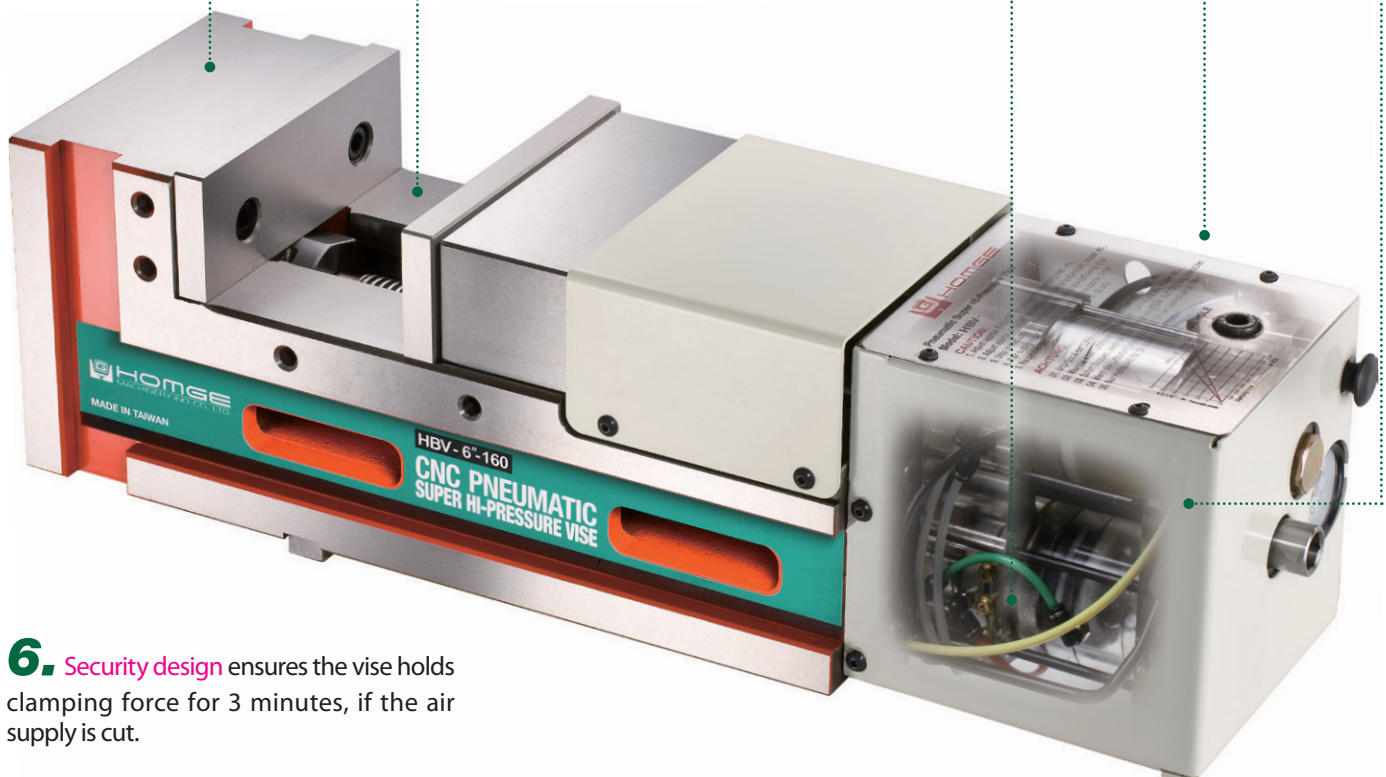
1. The new Patented **PNEUMATIC SYSTEM** is designed to enhance clamping force of 0-5000kg and can be adjusted depending on the material of work-piece.

2. Vise body is made of Ductile Iron above FCD 60 grade for high precision and durability. With a force of 4500kg, the shape will deflect less than **0.01mm**.

3. Slide ways are **HARDENED** to **HRC 50°** to further increase durability and maintain positioning height over long use.

4. The **special ANGLE-LOCK SYSTEM** with compact design and high-grade iron of over FCD 60 grade for high rigidity automatically pulls the work-piece down to the accurate position of within **0.01mm** under 4500kg.

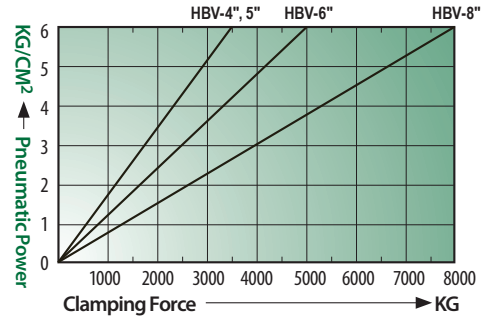
5. Tubes are designed with **different** colors for quick repair.



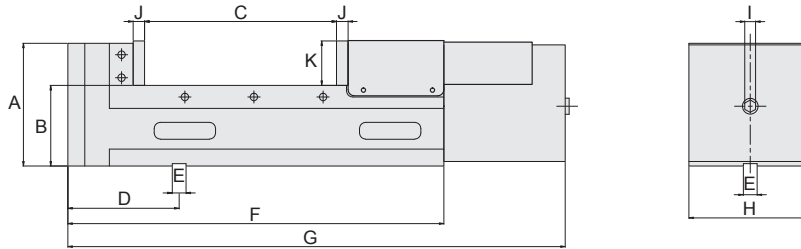
6. **Security design** ensures the vise holds clamping force for 3 minutes, if the air supply is cut.

Fixed height so several vises can be used together.

This vise is highly suitable for **precision mould making** on machining centers as well as **heavy duty machining** which required high clamping force with high accuracy.


 Pneumatic power source 6kg/cm²


DIMENSIONS



SPECIFICATIONS (Material: FCD 60 Ductile Iron. Hardness: HRC 50°)

Unit: mm

MODEL	A	B	C	D	E	F	G	H	I
HBV-4"-100	145	100±0.01	100	145	18	320	475	100	14
HBV-5"-150	157	105±0.01	150	145	18	380	560	130	14
HBV-6"-160	157	105±0.01	160	147	18	400	580	160	14
HBV-6"-250	157	105±0.01	250	147	18	490	670	160	14
HBV-8"-300	170	110±0.01	300	180	18	570	750	200	14

MODEL	J	K	Max. Clamping Force	Safety Range	Weight (kg)
HBV-4"-100	15	48	0-3500 kg	8 mm	29
HBV-5"-150	15	55	0-5000 kg	8 mm	40
HBV-6"-160	15	58	0-5000 kg	8 mm	50
HBV-6"-250	15	58	0-5000 kg	8 mm	56
HBV-8"-300	18	63	0-8000 kg	8 mm	90



We Accept Order for customized length !!

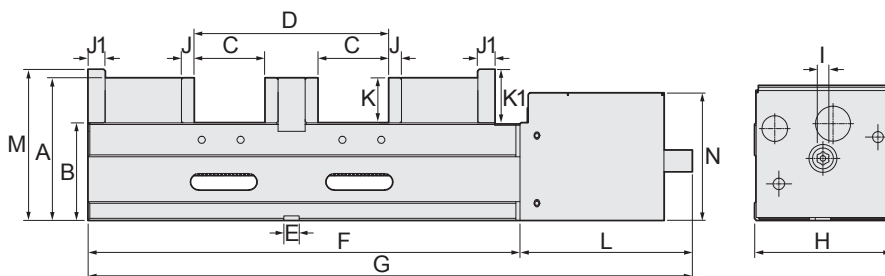
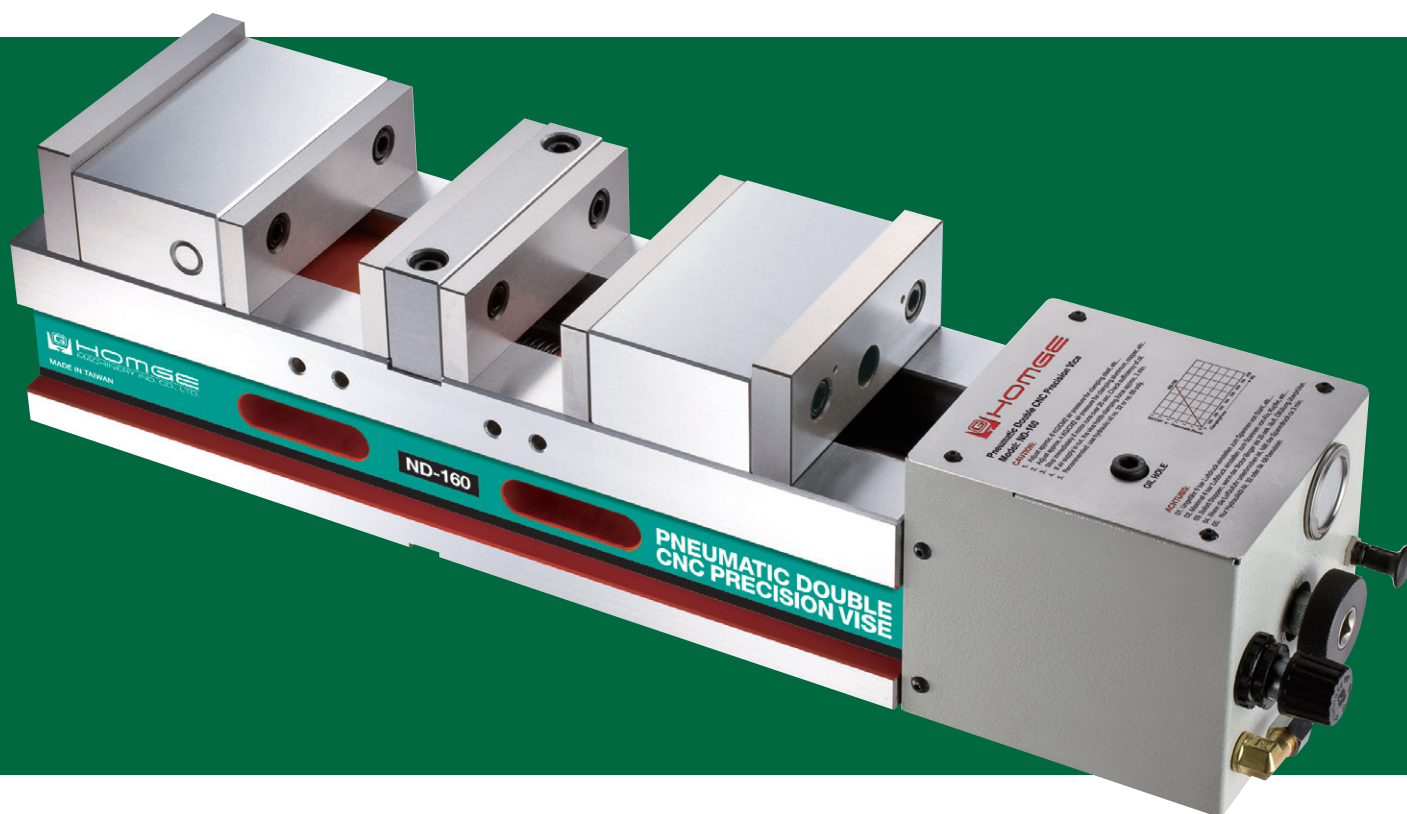
PNEUMATIC DOUBLE CNC PRECISION VISE

Model: ND-160



PATENTED
I402140
M451210
M437230
M444909

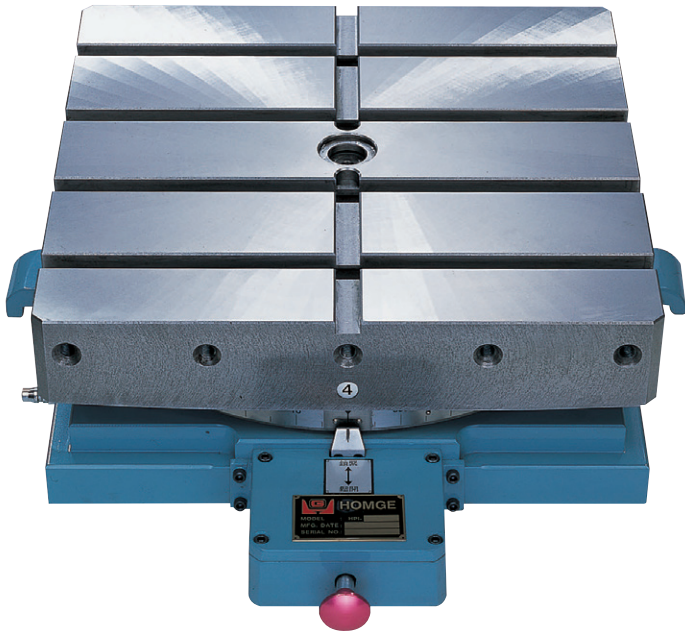
- The vise **can hold 2 workpieces of different sizes**. Allows an extra tolerance of up to 3mm in workpieces.
- Patented PNEUMATIC SYSTEM enhances clamping force of **0-4000kg** and can be adjusted depending on the material of work-piece.
- Pressure Adjusting Knob: for quick operations
- Safety range is **4mm**.
- **Security design** ensures the vise holds clamping force for 3 minutes, if the air supply is cut.



SPECIFICATIONS (Material: FCD 60 Ductile Iron. Hardness: HRC 50°)

Unit: mm

MODEL	A	B	C	D	E	F	G	H	I
ND-160	173	120	0-105	282	18	520	730	160	14
MODEL	J	J1	K	K1	L	M	N	Max. Clamping Force	Weight (kg)
ND-160	15	20	53	63	230	183	150	4000 kg	80



PRECISION INDEX TABLE

Model: HPI-300, 450, 600, 800, 1000, 1200

- The "HOMGE" PRECISION INDEXING TABLES are constructed with an AIR CYLINDER between the mating surfaces. This system ensures reduces friction when heavy loads are applied to the table. High accuracy and repeatability are achieved.
- HEAVY DUTY CONSTRUCTION is built of (FCD 55) Ductile Iron suitable for heavy cutting.

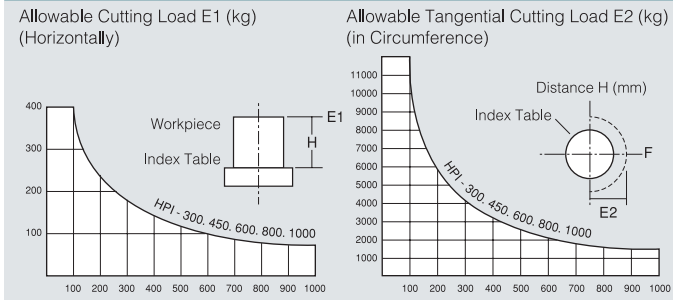


Curved Coupling Gear is made of **HIGH GRADE BEARING STEEL** which provides rigidity and super high precision.

STANDARD ACCESSORIES

- AIR COUPLER for connection to air supply
- 30cm RUBBER PIPE
- 4 pcs of CLAMPING BLOCKS

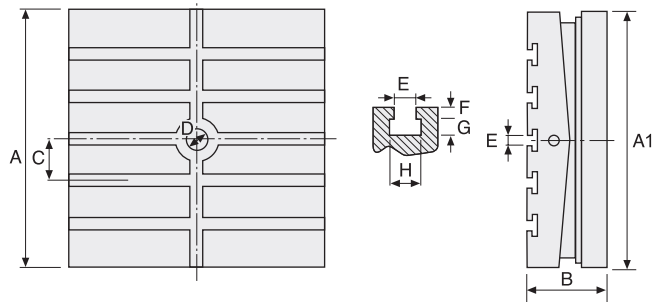
PERMISSIBLE CUTTING FORCE



SPECIFICATIONS

Unit: mm/inch

Model	HPI-300	HPI-450	HPI-600	HPI-800	HPI-1000	HPI-1200
1 LXW	300x300 (12"x12")	450x450 (18"x18")	600x600 (24"x24")	800x800 (32"x32")	1000x1000 (40"x40")	1200x1200 (47"x47")
2 Height	130 (5 1/8")	160 (6 1/8")	200 (7 7/8")	280 (11")	300 (12")	300 (12")
3 Spindle hole	25 (1")	30 (1 1/8")	40 (1 1/2")	65 (2 5/8")	60 (2 3/8")	60 (2 3/8")
4 T-Slot	14 (9/16")	18 (1 1/8")	20 (3/4")	22 (7/8")	22 (7/8")	22 (7/8")
5 Driving	Air Pressure 5~8kgs/cm ²					
	Manual					
6 Maximum load weight vertically in theory	1200 (2645 lb)	2400 (5921 lb)	3400 (7496 lb)	4500 (9920 lb)	6000 (13225 lb)	6000 (13225 lb)
7 Allowable load weight (kg)	500 (1102 lb)	1000 (2205 lb)	2000 (4409 lb)	3000 (6614 lb)	5000 (11021 lb)	5000 (11021 lb)
8 Number of division	Divisors of 24 2, 3, 4, 6, 8, 12	Divisors of 72 (2,3,4,6,8,12,18,24,36,72) and divisions by integers of 5° angles, custom-made orders for special dividing integers.				
9 Table rotation	clockwise and anticlockwise					
10 Division	15°	5°				
11 Weight (kg)	90	200	460	900	1200	1800



SPECIFICATIONS (Material: FCD 55 Ductile Iron)

Unit: mm/inch

Model	HPI-300	HPI-450	HPI-600	HPI-800	HPI-1000	HPI-1200
Unit	mm inch	mm inch	mm inch	mm inch	mm inch	mm inch
A	300 12	450 18	600 24	800 32	1000 40	1200 47
A1	300 12	450 18	600 24	800 32	1000 40	1000 40
B	130 5 1/8	160 6 1/8	200 7 7/8	280 11	300 12	300 12
C	100 4	100 4	100 4	100 4	125 5	150 6
D	25 1	30 1 1/8	40 1 1/2	65 2 5/8	60 2 3/8	90 3 1/2
E	14 9/16	18 1 1/8	20 3/4	22 7/8	22 7/8	22 7/8
F	14 9/16	16 5/8	20 3/4	23 1 5/16	23 1 5/16	23 1 5/16
G	12 1 5/32	12 1 5/32	14 3/8	15 1 9/32	15 1 9/32	15 1 9/32
H	25 1	30 1 13/16	34 1 3/8	38 1 1/2	38 1 1/2	38 1 1/2

H O M G E E

CE
ISO 9001

5-AXIS CLAMP VISE

Significantly upgrade 5-Axis Machining Centers



- Especial for CNC 5-axis machines
- Allows the machine spindle to access the work-piece freely
- Can clamp both small and large work-pieces easily

Homee Machinery Inc. Co., Ltd.

H O M G E E

CE
ISO 9001

MULTI-POWER CNC SUPER VISE

Significantly upgrade CNC Machining Centers

ADJUSTED
MAGNETIC
MOUNTING
METHODS



- Shortest Length with Big Jaw Opening
- Extremely High Accuracy and Repeatability
- Special MULTI-POWER design enhances clamping force of
- Suitable for Gantry-Type machining center

Homee Machinery Inc. Co., Ltd.

H O M G E E

CE
ISO 9001

MULTI-POWER CNC PRECISION FIXED ANGLE VISE

Significantly upgrade CNC Machining Centers

ADJUSTED
MAGNETIC
MOUNTING
METHODS



- Extremely High Accuracy and Repeatability
- Adjustable Clamping Force of

Homee Machinery Inc. Co., Ltd.

H O M G E E

CE
ISO 9001

QUICK MOLDS CHANGE SYSTEM

Significantly upgrade CNC Machining Centers



- Quick operation of changing molds with high efficiency
- Increasing durability of molds
- Reducing labor costs
- Repeat positioning accuracy: ± 0.01mm

Homee Machinery Inc. Co., Ltd.

H O M G E E

CE
ISO 9001

PNEUMATIC SUPER HI-PRESSURE VISE

Significantly upgrade CNC Machining Centers



High-Force Cylinders hardly malfunction
Fixed Height so several vices can be used together

Homee Machinery Inc. Co., Ltd.

H O M G E E

CE
ISO 9001

DOUBLE CNC MULTI-POWER VISE

Significantly upgrade CNC Machining Centers



If the tolerance of work-piece is more than ± 0.05 mm, please adjust this screw.

A special **ANGLE-LOCK SYSTEM** allows an exact tolerance of 0.01 in work-piece also enabling quick positioning and clamping.

Homee Machinery Inc. Co., Ltd.

H O M G E E

CE
ISO 9001

COMPACT DOUBLE-LOCK VISE

Significantly upgrade CNC Machining Centers



Homee Machinery Inc. Co., Ltd.

H O M G E E

CE
ISO 9001

SELF-CENTERING VISE

Significantly upgrade CNC Machining Centers



Homee Machinery Inc. Co., Ltd.

H O M G E E

CE
ISO 9001

Self-Centering VISE

Significantly upgrade CNC 5-Axis Machining Centers



- Two-sided operation
- Ideal for small working piece

Homee Machinery Inc. Co., Ltd.

H O M G E E

CE
ISO 9001

CNC PRECISION VECTOR VISE

Significantly upgrade CNC Machining Centers

PATENTED
MAGNETIC
MOUNTING
METHODS



- Super-Big Jaw Opening
- ANGLE-LOCK SYSTEM ensure to pull the work-piece down
- Fixed Height, so several vices can be used together

Homee Machinery Inc. Co., Ltd.

H O M G E E

CE
ISO 9001

PERMANENT MAGNETIC VISE

Substitue for application on CNC Machining Centers



Homee Machinery Inc. Co., Ltd.

H O M G E E

CE
ISO 9001

PNEUMATIC DOUBLE SUPER HI-PRESSURE VISE

Significantly upgrade CNC Machining Centers



- High-Force Cylinders hardly malfunction
- Fixed Height so several vices can be used together

Homee Machinery Inc. Co., Ltd.

H O M G E E

CE
ISO 9001

SUPER-OPEN M/C ANGLE VISE

Significantly upgrade CNC Machining Centers



- Super-Big Jaw Opening
- ANGLE-LOCK SYSTEM ensure to pull the work-piece down

Homee Machinery Inc. Co., Ltd.

H O M G E E

CE
ISO 9001

PRECISION ANGLE LOCK VISE

Significantly upgrade any kinds of Machining Centers



- Super-Big Jaw Opening
- Two Sides of Vise Body can be used as Datum Surfaces

Homee Machinery Inc. Co., Ltd.

H O M G E E

CE
ISO 9001

VISE IN-ROW

Significantly upgrade CNC Machining Centers

PATENTED
MAGNETIC
MOUNTING
METHODS



VISE IN ROW
Model: HRV-50, 75, 100

Adjustable vise, clamp working piece in square, round or regular shape, so permits flexible working rate and shorten time of changing mold.

Homee Machinery Inc. Co., Ltd.

H O M G E E

CE
ISO 9001

PRECISION RAPID VISE

Significantly upgrade CNC Machining Centers

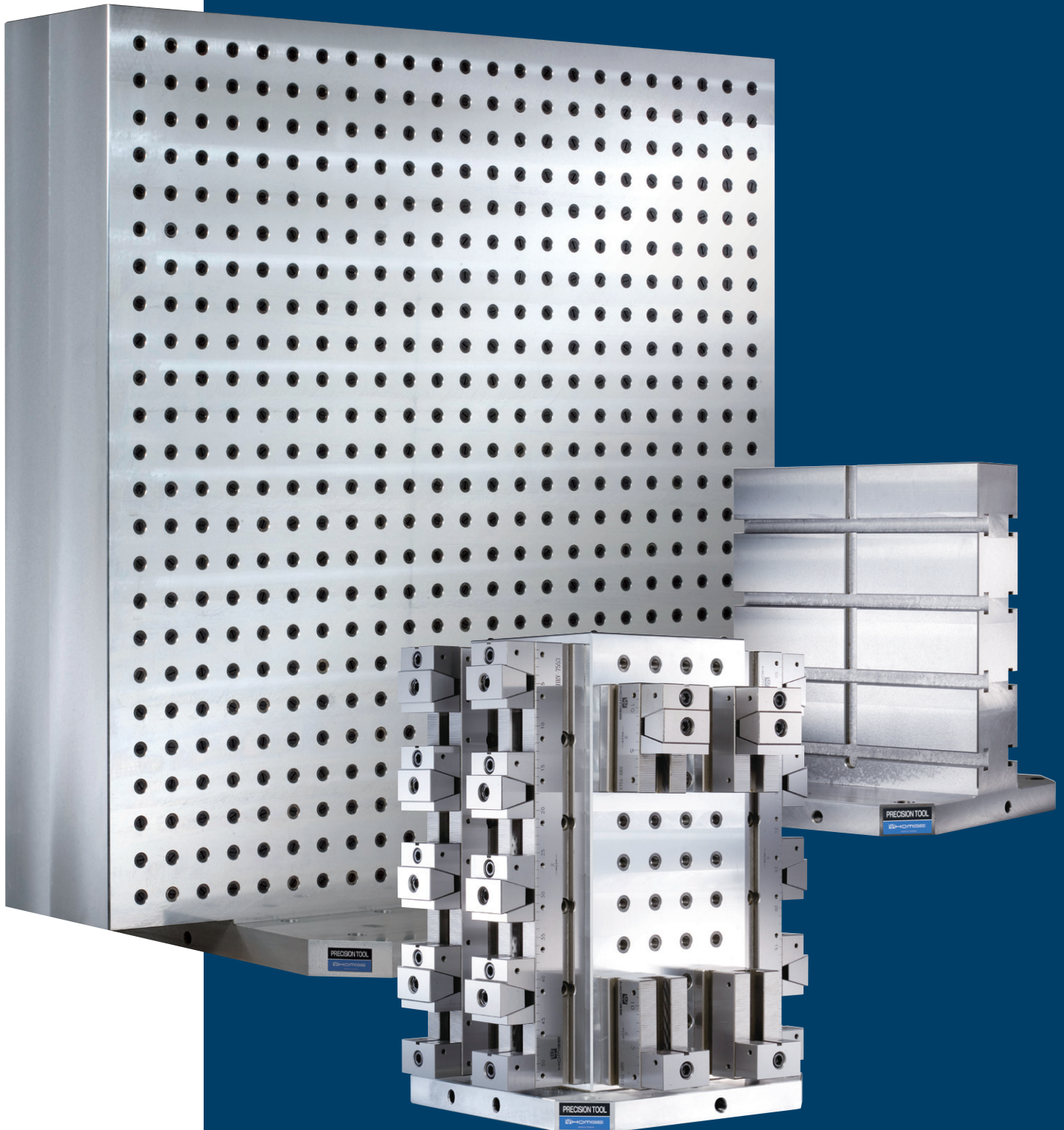


HG-Hydraulic Type

HG-Type

Homee Machinery Inc. Co., Ltd.

M/C S Q U A R E DOUBLE SIDED TOOLING COLUMNS



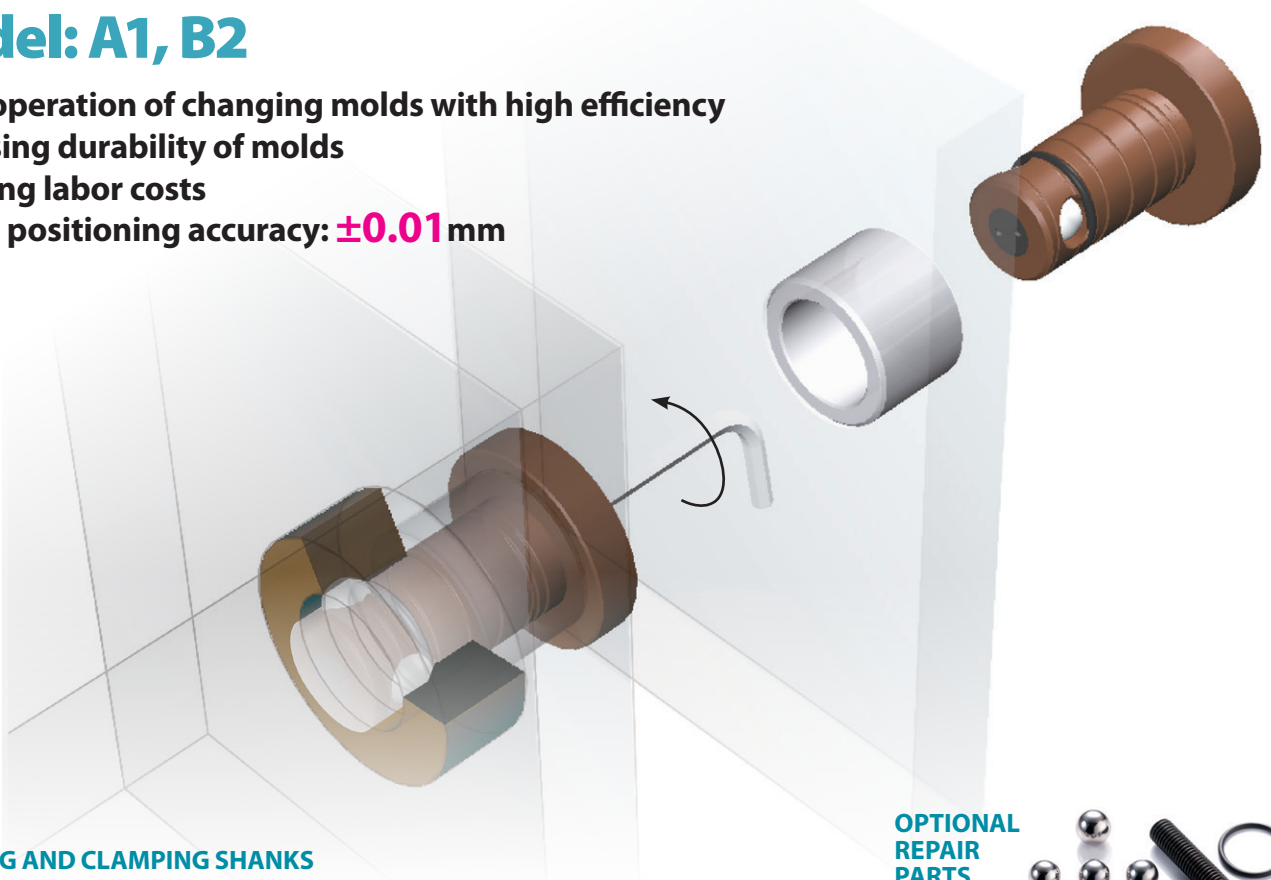


- Quick operation of changing molds with high efficiency
- Increasing durability of molds
- Reducing labor costs
- Repeat positioning accuracy: $\pm 0.01\text{mm}$

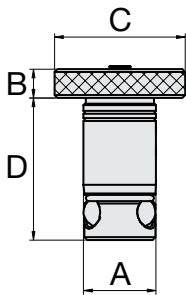
QUICK MOLDS CHANGE SYSTEM

Model: A1, B2

Quick operation of changing molds with high efficiency
 Increasing durability of molds
 Reducing labor costs
 Repeat positioning accuracy: ± 0.01 mm



LOCATING AND CLAMPING SHANKS

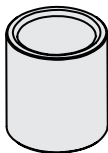


SPECIFICATIONS (Material: SNCM8. Hardness: HRC 40°-45°. Finish: Black Oxide)

Unit: mm

Model	Dia. A	Table thickness ± 0.15 mm	B	C	D	Hexagon wrench	Maximum		Recommendation	
							Screw Torque (N.m)	Holddown Torque (NK)	Screw Torque (N.m)	Holddown Torque (NK)
A1	25	25	10	45	49	4.0	11.0	30.0	9.0	23.0
B2	35	50	13	60	81	6.0	33.0	68.0	25.0	52.0

LINERS

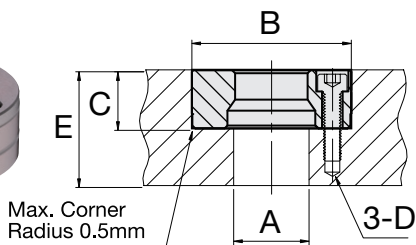
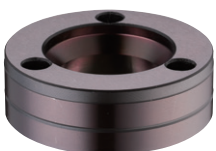


SPECIFICATIONS (Material: SUJ2. Hardness: HRC 62°-64°)

Unit: mm

Model	A grade Inner Dia.	B grade Inner Dia.	Shank Dia.	Table thickness ± 0.15 mm	Liner Outer Dia. ± 0.15 mm
A1	25.01	25.04	25	25	35
B2	35.01	35.04	35	50	45

RECEIVER BUSHINGS



SPECIFICATIONS (Material: SNCM8. Hardness: HRC 40°-45°. Finish: Black Oxide)

Unit: mm

Model	Shank Dia.	Actual Outer Dia. -0.01 -0.02	Dia. A	Bore $+0.020$ $+0.005$ B	Depth ± 0.025 C	Tap Size & Depth D	Bolt Circle Dia. 3 PL Equally Spaced	Min. Subplate Thickness E
A1	25	55	26	55	20.3	M6x1.0x10	42	30
B2	35	70	42	70	23	M8x1.25x17	54	40

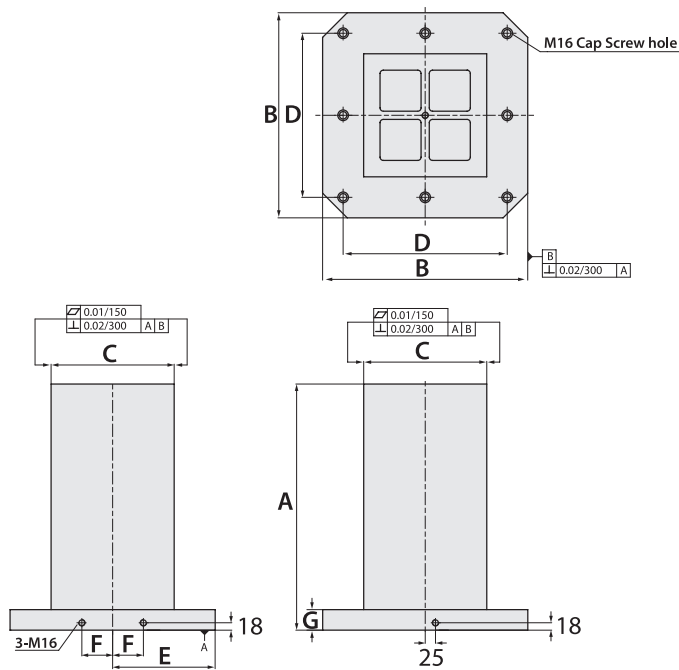
* Installed bushings should be approximately 0.3mm below subplate surface.

M/C SQUARE TOOLING COLUMN

- Heat treated (Normalized)
- Application: Good for horizontal M/C

FEATURES:

Free to finish an actual required hole pattern or your special jig.



SPECIFICATIONS (Material: FCD 50 Ductile Iron / Aluminum A356)

Unit: mm

Model	A	B	C	D	E	F	G	Mounting Holes	Weight (kg)	
									FCD50	A356
HSF-300300-0500	500	300	150	250	150	40	50	4	90	—
HSF-400400-0500	500	400	250	320	200	55	50	4	160	56
HSF-400400-0650	650	400	250	320	200	55	50	4	210	73
HSF-500500-0600	600	500	300	400	250	75	50	8	250	91
HSF-500500-0750	750	500	300	400	250	75	50	8	310	122
HSF-630630-0700	700	630	350	500	315	100	50	8	400	129
HSF-630630-0850	850	630	350	500	315	100	50	8	460	180
HSF-800800-0800	800	800	500	640	400	135	50	8	680	215
HSF-800800-1000	1000	800	500	640	400	135	50	8	800	312
HSF-10001000-1000	1000	1000	600	800	500	165	55	8	1164	—
HSF-10001000-1250	1250	1000	600	800	500	165	55	8	1391	—

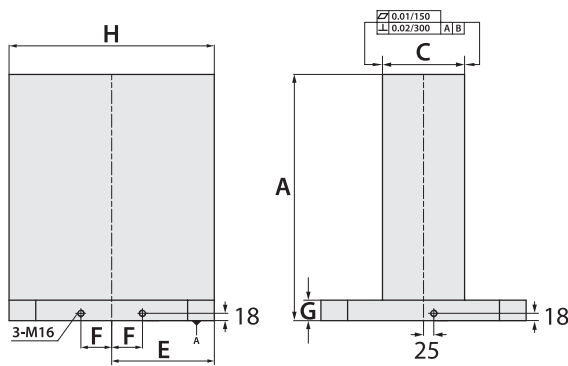
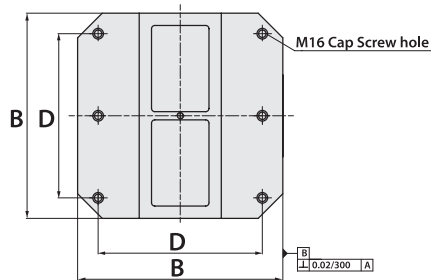
We Accept Order for Special Design !!

M/C DOUBLE SIDED TOOLING COLUMN

- Heat treated (Normalized)
- Application: Good for horizontal M/C

FEATURES:

Free to finish an actual required hole pattern or your special jig.



SPECIFICATIONS (Material: FCD 50 Ductile Iron / Aluminum A356)

Unit: mm

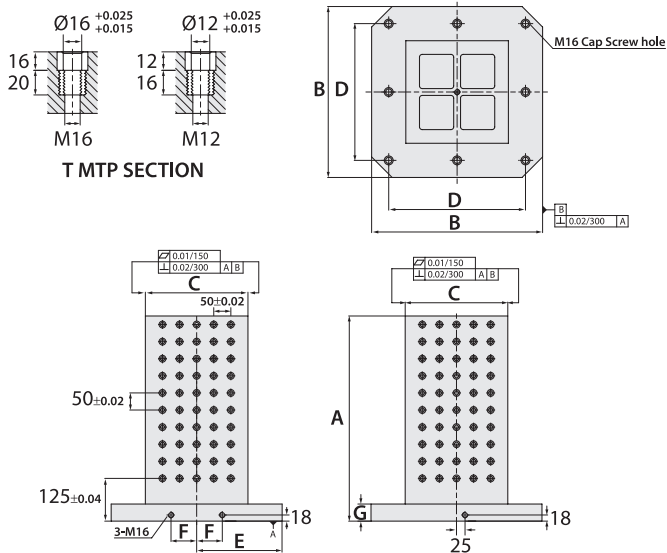
Model	A	B	C	D	E	F	G	H	Mounting Holes	Weight (kg)	
										FCD50	A356
HDF-300300-0500	500	300	80	250	150	40	50	300	4	115	—
HDF-400400-0500	500	400	150	320	200	55	50	400	4	170	62
HDF-400400-0650	650	400	150	320	200	55	50	400	4	215	86
HDF-500500-0600	600	500	200	400	250	75	50	500	6	270	96
HDF-500500-0750	750	500	200	400	250	75	50	500	6	350	135
HDF-630630-0700	700	630	250	500	315	100	50	630	6	445	176
HDF-630630-0850	850	630	250	500	315	100	50	630	6	520	202
HDF-800800-0800	800	800	300	640	400	135	50	800	6	675	217
HDF-800800-1000	1000	800	300	640	400	135	50	800	6	815	318
HDF-10001000-1000	1000	1000	350	800	500	165	55	1000	8	1162	—
HDF-10001000-1250	1250	1000	350	800	500	165	55	1000	8	1377	—

M/C SQUARE TOOLING COLUMN

- Heat treated (Normalized)
- Application: Good for horizontal M/C

FEATURES:

Locked by MTP locating holes.
Using the assorted, rationalized jig component, you can quickly build up to meet requirement jig.



SPECIFICATIONS (Material: FCD 50 Ductile Iron / Aluminum A356)

Unit: mm

Model	A	B	C	D	E	F	G	T	No. of MTP Holes	Mounting Holes	Weight (kg)		
											FCD50	A356	
HSH-300300-0500-12	500	300	150	250	150	40	50	∅12	M12	64	4	90	—
HSH-400400-0500-12	500	400	250	320	200	55	50	∅12	M12	128	4	155	54
HSH-400400-0650-12	650	400	250	320	200	55	50	∅12	M12	176	4	200	73
HSH-500500-0600-12	600	500	300	400	250	75	50	∅12	M12	200	8	240	88
HSH-500500-0750-12	750	500	300	400	250	75	50	∅12	M12	250	8	300	122
HSH-630630-0700-12	700	630	350	500	315	100	50	∅12	M12	288	8	360	125
HSH-630630-0850-12	850	630	350	500	315	100	50	∅12	M12	360	8	445	180
HSH-800800-0800-12	800	800	500	640	400	135	50	∅12	M12	504	8	635	204
HSH-800800-1000-12	1000	800	500	640	400	135	50	∅12	M12	648	8	780	312
HSH-10001000-1000-12	1000	1000	600	800	500	165	55	∅12	M12	792	8	1164	—
HSH-10001000-1250-12	1250	1000	600	800	500	165	55	∅12	M12	1012	8	1391	—
HSH-300300-0500-16	500	300	150	250	150	40	50	∅16	M16	64	4	90	—
HSH-400400-0500-16	500	400	250	320	200	55	50	∅16	M16	128	4	152	54
HSH-400400-0650-16	650	400	250	320	200	55	50	∅16	M16	176	4	195	73
HSH-500500-0600-16	600	500	300	400	250	75	50	∅16	M16	200	8	235	88
HSH-500500-0750-16	750	500	300	400	250	75	50	∅16	M16	250	8	295	122
HSH-630630-0700-16	700	630	350	500	315	100	50	∅16	M16	288	8	365	123
HSH-630630-0850-16	850	630	350	500	315	100	50	∅16	M16	360	8	440	180
HSH-800800-0800-16	800	800	500	640	400	135	50	∅16	M16	504	8	630	201
HSH-800800-1000-16	1000	800	500	640	400	135	50	∅16	M16	648	8	770	312
HSH-10001000-1000-16	1000	1000	600	800	500	165	55	∅16	M16	792	8	1164	—
HSH-10001000-1250-16	1250	1000	600	800	500	165	55	∅16	M16	1012	8	1391	—

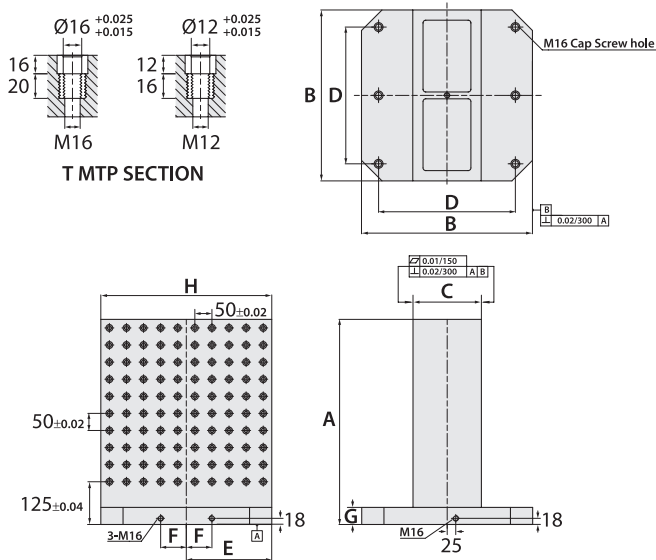
We Accept Order for Special Design !!

M/C DOUBLE SIDED TOOLING COLUMN

- Heat treated (Normalized)
- Application: Good for horizontal M/C

FEATURES:

Locked by MTP locating holes.
Using the assorted, rationalized jig component, you can quickly build up to meet requirement jig.



SPECIFICATIONS (Material: FCD 50 Ductile Iron / Aluminum A356)

Unit: mm

Model	A	B	C	D	E	F	G	H	T	No. of MTP Holes	Mounting Holes	Weight (kg)		
												FCD50	A356	
HDH-300300-0500-12	500	300	80	250	150	40	50	300	Ø12	M12	96	4	110	—
HDH-400400-0500-12	500	400	150	320	200	55	50	400	Ø12	M12	128	4	165	56
HDH-400400-0650-12	650	400	150	320	200	55	50	400	Ø12	M12	176	4	210	86
HDH-500500-0600-12	600	500	200	400	250	75	50	500	Ø12	M12	200	6	265	91
HDH-500500-0750-12	750	500	200	400	250	75	50	500	Ø12	M12	260	6	335	135
HDH-630630-0700-12	700	630	250	500	315	100	50	630	Ø12	M12	288	6	435	154
HDH-630630-0850-12	850	630	250	500	315	100	50	630	Ø12	M12	360	6	516	202
HDH-800800-0800-12	800	800	300	640	400	135	50	800	Ø12	M12	420	6	660	214
HDH-800800-1000-12	1000	800	300	640	400	135	50	800	Ø12	M12	540	6	800	318
HDH-10001000-1000-12	1000	1000	350	800	500	165	55	1000	Ø12	M12	684	6	1158	—
HDH-10001000-1250-12	1250	1000	350	800	500	165	55	1000	Ø12	M12	874	6	1375	—
HDH-300300-0500-16	500	300	80	250	150	40	50	300	Ø16	M16	96	4	105	—
HDH-400400-0500-16	500	400	150	320	200	55	50	400	Ø16	M16	128	4	160	60
HDH-400400-0650-16	650	400	150	320	200	55	50	400	Ø16	M16	176	4	205	86
HDH-500500-0600-16	600	500	200	400	250	75	50	500	Ø16	M16	200	6	260	103
HDH-500500-0750-16	750	500	200	400	250	75	50	500	Ø16	M16	260	6	330	135
HDH-630630-0700-16	700	630	250	500	315	100	50	630	Ø16	M16	288	6	430	170
HDH-630630-0850-16	850	630	250	500	315	100	50	630	Ø16	M16	360	6	505	202
HDH-800800-0800-16	800	800	300	640	400	135	50	800	Ø16	M16	420	6	650	210
HDH-800800-1000-16	1000	800	300	640	400	135	50	800	Ø16	M16	540	6	790	318
HDH-10001000-1000-16	1000	1000	350	800	500	165	55	1000	Ø16	M16	684	6	1158	—
HDH-10001000-1250-16	1250	1000	350	800	500	165	55	1000	Ø16	M16	874	6	1375	—

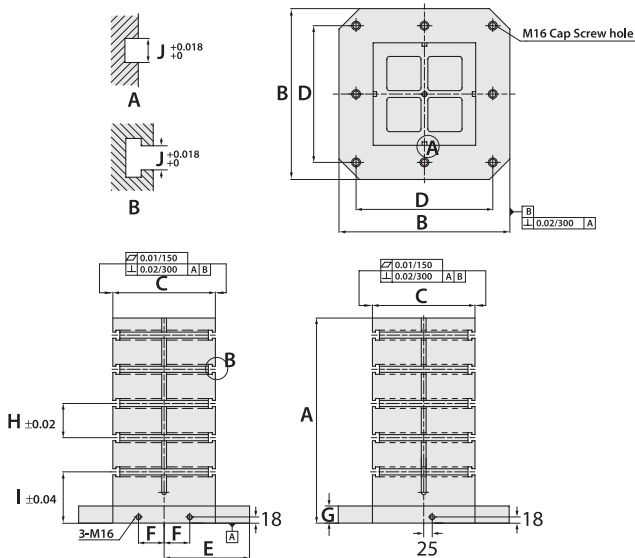
M/C SQUARE TOOLING COLUMN

- Heat treated (Normalized)
- Application: Good for horizontal M/C

FEATURES:

Locked by T-slot.

Using the assorted, rationalized jig component, you can quickly build up to meet requirement jig.



SPECIFICATIONS (Material: FCD 50 Ductile Iron / Aluminum A356)

Unit: mm

Model	A	B	C	D	E	F	G	H	I	J	Mounting Holes	Weight (kg)	
												FCD50	A356
HST-400400-0500-14	500	400	250	320	200	55	50	100	150	14	4	160	61
HST-400400-0650-14	650	400	250	320	200	55	50	100	150	14	4	200	84
HST-500500-0600-14	600	500	300	400	250	75	50	100	150	14	8	270	86
HST-500500-0750-14	750	500	300	400	250	75	50	100	150	14	8	300	127
HST-630630-0700-14	700	630	350	500	315	100	50	125	150	14	8	375	136
HST-630630-0850-14	850	630	350	500	315	100	50	125	150	14	8	460	183
HST-800800-0800-14	800	800	500	640	400	135	50	150	150	14	8	655	260
HST-800800-1000-14	1000	800	500	640	400	135	50	150	150	14	8	800	319
HST-10001000-1000-14	1000	1000	600	800	500	165	55	160	150	14	8	1146	—
HST-10001000-1250-14	1250	1000	600	800	500	165	55	160	150	14	8	1358	—
HST-400400-0500-18	500	400	250	320	200	55	50	100	150	18	4	155	60
HST-400400-0650-18	650	400	250	320	200	55	50	100	150	18	4	190	84
HST-500500-0600-18	600	500	300	400	250	75	50	100	150	18	8	265	85
HST-500500-0750-18	750	500	300	400	250	75	50	100	150	18	8	290	135
HST-630630-0700-18	700	630	350	500	315	100	50	125	150	18	8	365	135
HST-630630-0850-18	850	630	350	500	315	100	50	125	150	18	8	450	183
HST-800800-0800-18	800	800	500	640	400	135	50	150	150	18	8	638	254
HST-800800-1000-18	1000	800	500	640	400	135	50	150	150	18	8	790	319
HST-10001000-1000-18	1000	1000	600	800	500	165	55	160	150	18	8	1146	—
HST-10001000-1250-18	1250	1000	600	800	500	165	55	160	150	18	8	1358	—

We Accept Order for Special Design !!

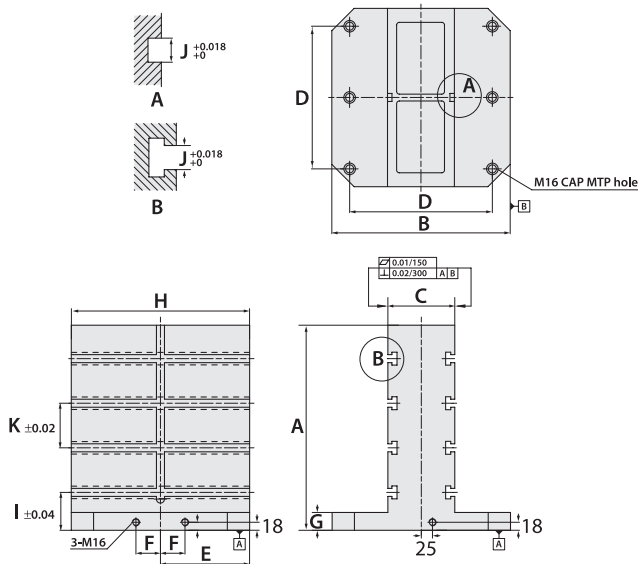
M/C DOUBLE SIDED TOOLING COLUMN

- Heat treated (Normalized)
- Application: Good for horizontal M/C

FEATURES:

Locked by T-slot.

Using the assorted, rationalized jig component, you can quickly build up to meet requirement jig.



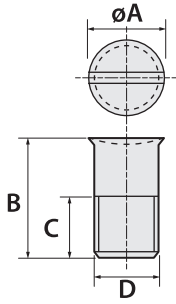
SPECIFICATIONS (Material: FCD 50 Ductile Iron / Aluminum A356)

Unit: mm

Model	A	B	C	D	E	F	G	H	I	J	K	Mounting Holes	Weight (kg)	
													FCD50	A356
HDT-400400-0500-14	500	400	150	320	200	55	50	400	150	14	100	4	170	60
HDT-400400-0650-14	650	400	150	320	200	55	50	400	150	14	100	4	220	92
HDT-500500-0600-14	600	500	200	400	250	75	50	500	150	14	100	6	290	87
HDT-500500-0750-14	750	500	200	400	250	75	50	500	150	14	100	6	335	142
HDT-630630-0700-14	700	630	250	500	315	100	50	630	150	14	125	6	440	165
HDT-630630-0850-14	850	630	250	500	315	100	50	630	150	14	125	6	515	212
HDT-800800-0800-14	800	800	300	640	400	135	50	800	150	14	150	6	670	243
HDT-800800-1000-14	1000	800	300	640	400	135	50	800	150	14	150	6	790	325
HDT-10001000-1000-14	1000	1000	350	800	500	165	55	1000	150	14	150	6	1158	—
HDT-10001000-1250-14	1250	1000	350	800	500	165	55	1000	150	14	150	6	1375	—
HDT-400400-0500-18	500	400	150	320	200	55	50	400	150	18	100	4	165	60
HDT-400400-0650-18	650	400	150	320	200	55	50	400	150	18	100	4	210	92
HDT-500500-0600-18	600	500	200	400	250	75	50	500	150	18	100	6	280	86
HDT-500500-0750-18	750	500	200	400	250	75	50	500	150	18	100	6	325	142
HDT-630630-0700-18	700	630	250	500	315	100	50	630	150	18	125	6	430	163
HDT-630630-0850-18	850	630	250	500	315	100	50	630	150	18	125	6	500	212
HDT-800800-0800-18	800	800	300	640	400	135	50	800	150	18	150	6	660	240
HDT-800800-1000-18	1000	800	300	640	400	135	50	800	150	18	150	6	785	325
HDT-10001000-1000-18	1000	1000	350	800	500	165	55	1000	150	18	150	6	1158	—
HDT-10001000-1250-18	1250	1000	350	800	500	165	55	1000	150	18	150	6	1375	—

OPTIONAL ACCESSORIES:

PROTECTION PLUG

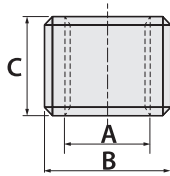


SPECIFICATIONS (Material: S45C)

Unit: mm

Model	A	B	C	D (Thread)	Weight (kg)
HPP-12-JIS	14	22	11	M12	0.02
HPP-16-JIS	18	25	13	M16	0.05

THREADED INSERT

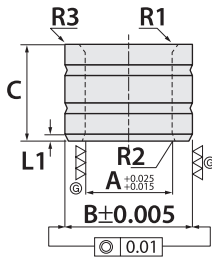


SPECIFICATIONS (Material: S45C, Hardness: HRC 32°~35°)

Unit: mm

Model	A	B	C	Weight (kg)
HTI-0612-10	M6x1.0	M12x1.5	10	0.005
HTI-0814-12	M8x1.25	M14x1.5	12	0.008
HTI-1016-15	M10x1.5	M16x1.5	15	0.010
HTI-1218-16	M12x1.75	M18x2.0	16	0.015
HTI-1420-18	M14x2.0	M20x2.0	18	0.030
HTI-1622-20	M16x2.0	M22x2.0	20	0.025
HTI-2028-25	M20x2.0	M28x2.0	25	0.050

POSITIONING BUSHING

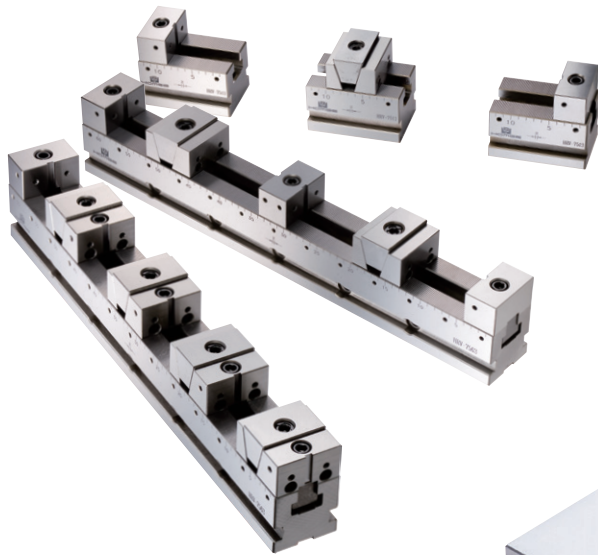


SPECIFICATIONS (Material: SUJ2, Hardness: HRC 60°)

Unit: mm

Model	A	B	C	R1	R2	R3	L1	Weight (kg)
HPB-0613-10	ø6	ø13	10	1	0.5	0.5	1.25	0.007
HPB-0815-10	ø8	ø15	10	1	0.5	0.5	1.25	0.009
HPB-1018-12	ø10	ø18	12	1.5	1	0.5	1.5	0.015
HPB-1220-12	ø12	ø20	12	1.5	1	0.5	1.5	0.017
HPB-1423-16	ø14	ø23	16	1.5	1	0.5	1.5	0.030
HPB-1523-16	ø15	ø23	16	1.5	1	0.5	1.5	0.028
HPB-1622-16	ø16	ø22	16	1.5	1	0.5	1.5	0.025
HPB-1826-20	ø18	ø26	20	2	1.5	0.5	2.5	0.040
HPB-2030-20	ø20	ø30	20	2	1.5	0.5	2.5	0.060
HPB-2230-20	ø22	ø30	20	2	1.5	0.5	2.5	0.050
HPB-2535-20	ø25	ø35	20	2	1.5	0.5	2.5	0.070
HPB-3042-25	ø30	ø42	25	2	1.5	0.5	2.5	0.130
HPB-4055-30	ø40	ø55	30	3	2	1	3	0.255
HPB-5070-30	ø50	ø70	30	3	2	1	3	0.430

VICES



PATENTED
216009
M266131

WISE IN ROW

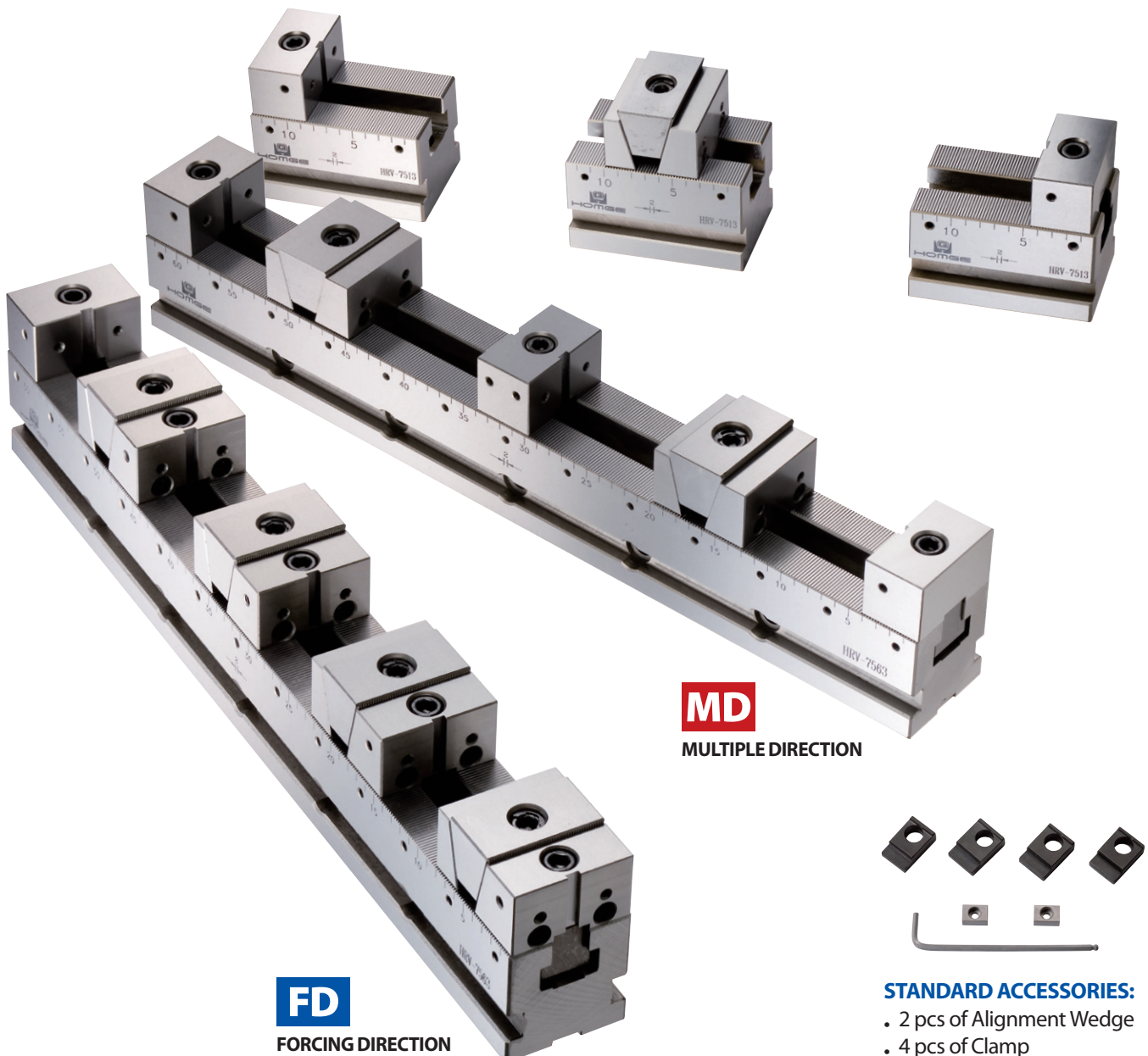
Model: HRV-50, 75, 100

Adjustable vise can clamp working piece in square, round or irregular shapes. It enhances machine revolving rate and shortens time of changing molds.

Saves cost.

HRV-series' VISE IN-ROW is a kind of multiple clamp vise. Full set of this vise is made of Tool Steel with heat treatment more than HRC 60° of Hardness and then ground precisely to ensure durability. It enlarges clamping dimension. No matter what shape of working piece, such as square, round, cylindrical or any irregular shapes, it can be positioned quickly. Precision gear locating datum plate is adjustable so working piece can be fixed easily.

This vise is suitable for horizontal, vertical and 4-Axis CNC Machining Centers and Surface Grinder, ...etc.



MD

MULTIPLE DIRECTION

FD

FORCING DIRECTION

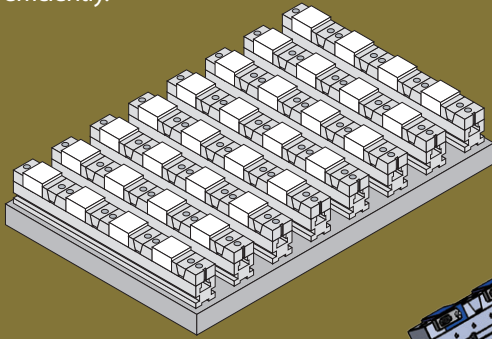


STANDARD ACCESSORIES:

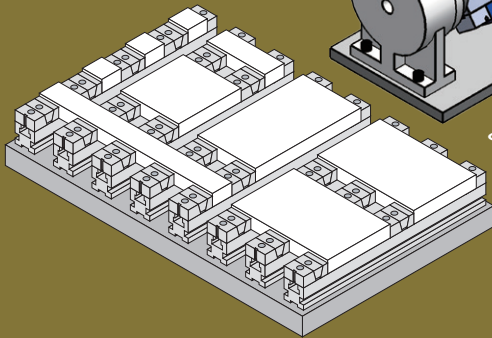
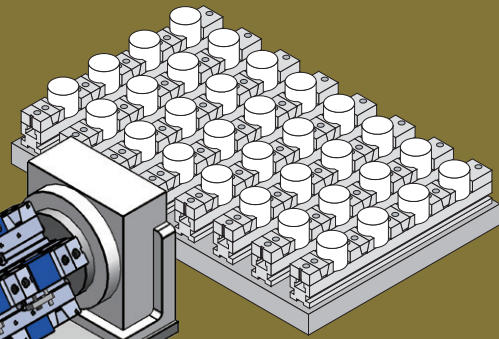
- 2 pcs of Alignment Wedge
- 4 pcs of Clamp
- 1 pc of Wrench

CLAMPING EXAMPLE

By clamping lots of rectangular small working pieces at the same time, the working table of the machine can be used completely and keep the machine operating efficiently.

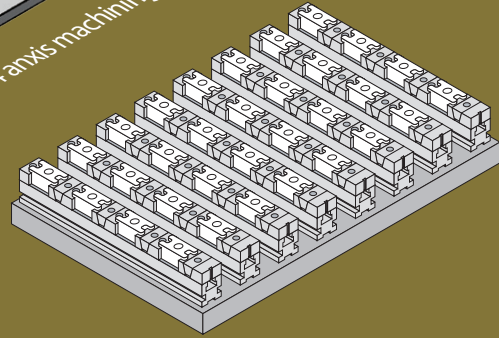


Cylindrical working pieces can be easily clamped by using optional accessory (V Jaw).

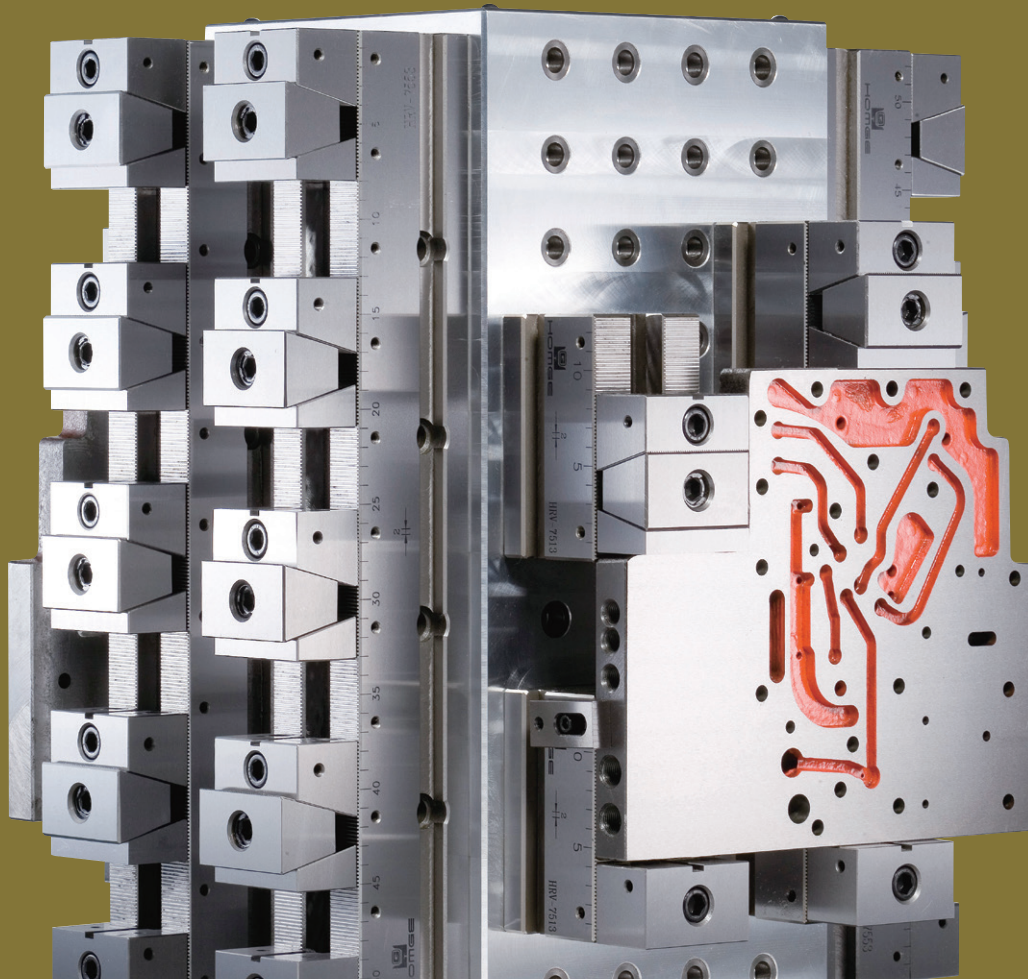


One or couple larger working pieces can be clamped flexibly at the same time.

Suitable for 4-axis machining centers.

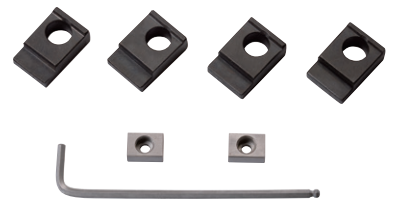
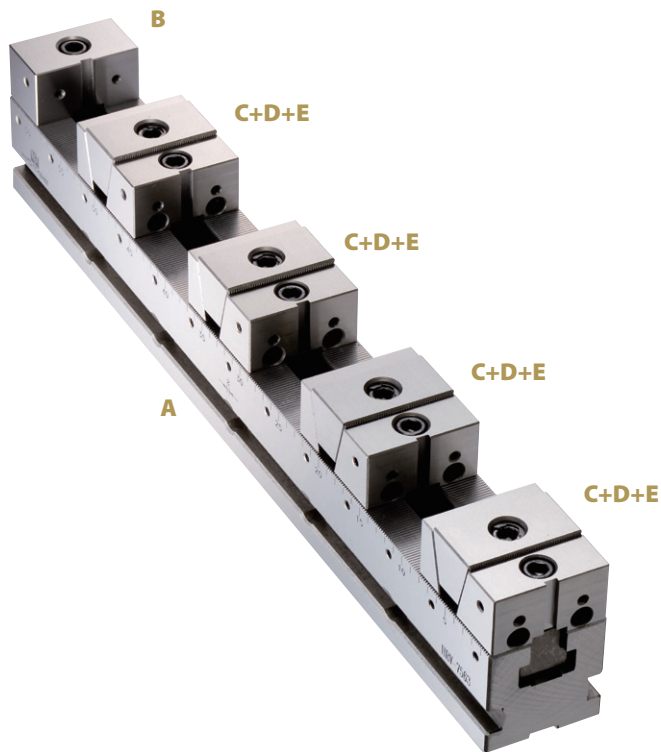


Irregular shape of working pieces can be clamped by using optional jaw (Soft Jaw) which can be special tailored to meet the clamping requirement of the working pieces.



FD FORCING DIRECTION

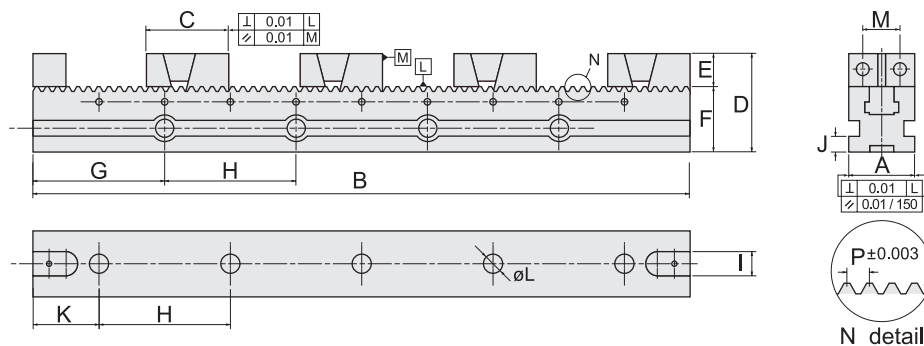
Model: HRV-50, 75, 100 (FD)



STANDARD ACCESSORIES:

- 2 pcs of Alignment Wedge
- 4 pcs of Clamp
- 1 pc of Wrench

DIMENSIONS



SPECIFICATIONS (Material: Tool Steel. Hardness: HRC 56°~60°)

Unit: mm

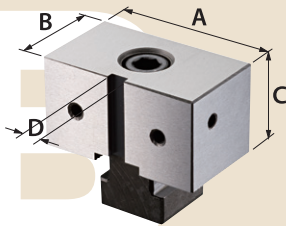
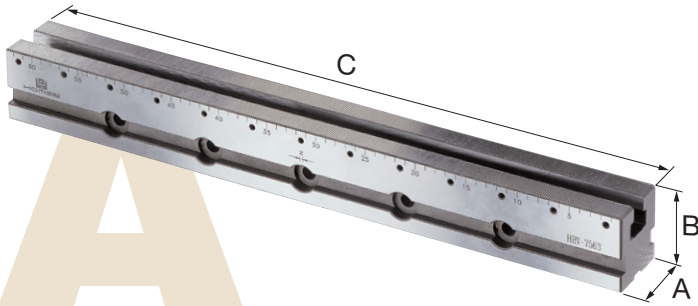
Model	A	B	C	D	E	F	G	H	I	J	K	L	M	P	Weight (kg)	
HRV-5030-FD	50	300	66	75	25	50 ± 0.01	70	80/100	18	10	30	14	24	1.5	7	
HRV-5040-FD		400					80				40				9	
HRV-5050-FD		500					90				50				10	10
HRV-5060-FD		600					100				60				11	
HRV-5070-FD		700					110				70				12	
HRV-7543-FD	75	430	84	115	40	75 ± 0.01	115	100	18	17	65	14	40	2	20	
HRV-7553-FD		530					115				65				25.5	
HRV-7563-FD		630					115				65				31	
HRV-7573-FD		730					65				115				33.5	
HRV-10055-FD	100	550	106	125	50	75 ± 0.01	75	100	18	17	125	14	60	2.5	40	
HRV-10065-FD		650					125				75				51	
HRV-10075-FD		750					125				75				55	

Forcing Direction Assembled Parts:

MAIN BODY

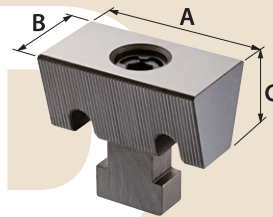
Unit: mm

Model	A	B	C
HRV-50A30	50	50	300
HRV-50A40	50	50	400
HRV-50A50	50	50	500
HRV-50A60	50	50	600
HRV-50A70	50	50	700
HRV-75A43	75	75	430
HRV-75A53	75	75	530
HRV-75A63	75	75	630
HRV-75A73	75	75	730
HRV-100A55	100	75	550
HRV-100A65	100	75	650
HRV-100A75	100	75	750



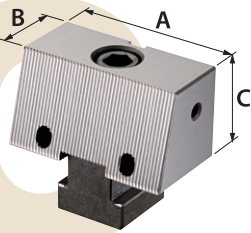
FIXED MOUTHPIECE SET

Model	A	B	C	D
HRV-50B	48	35	25	8
HRV-75B	73	42	40	8
HRV-100B	98	60	50	8



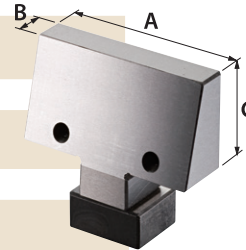
WEDGE SET

Model	A	B	C
HRV-50D	48	26	21
HRV-75D	72	42	36
HRV-100D	98	50	45



SINGLE BEVEL FIXED MOUTHPIECE SET

Model	A	B	C
HRV-50C	48	27	25
HRV-75C	72	30	40
HRV-100C	98	35	50



SINGLE BEVEL MOVEABLE MOUTHPIECE SET

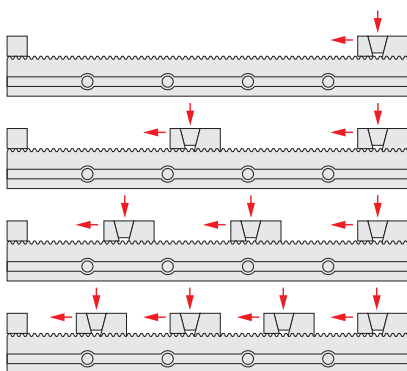
Model	A	B	C
HRV-50E	48	13	25
HRV-75E	73	12	40
HRV-100E	98	21	50


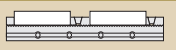
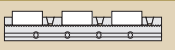
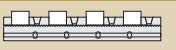
*** Note ***

HRV-5030-FD / HRV-7543-FD / HRV-10055-FD
Can clamp 3 workpieces only

FORCING DIRECTION

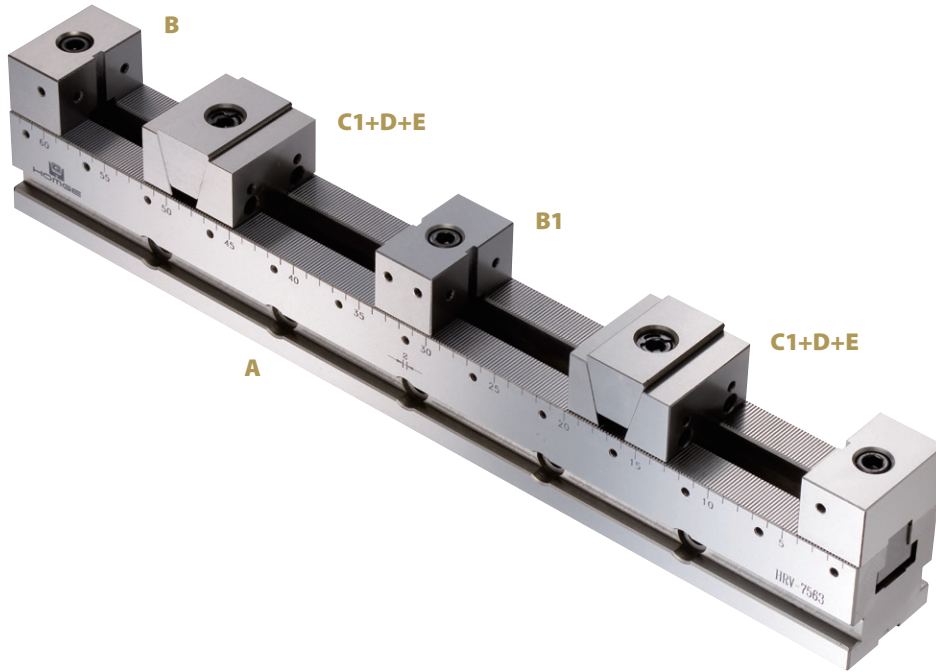
Maximum range of the working pieces to be clamped



Model				
HRV-5030-FD	199	66	22	—
HRV-5040-FD	299	116	55	25
HRV-5050-FD	399	166	89	50
HRV-5060-FD	499	216	122	75
HRV-5070-FD	599	266	155	100
HRV-7543-FD	304	110	45	—
HRV-7553-FD	404	160	78	36
HRV-7563-FD	504	210	112	60
HRV-7573-FD	604	260	145	88
HRV-10055-FD	384	139	57	—
HRV-10065-FD	484	189	91	41
HRV-10075-FD	584	239	124	66

MD MULTIPLE DIRECTION

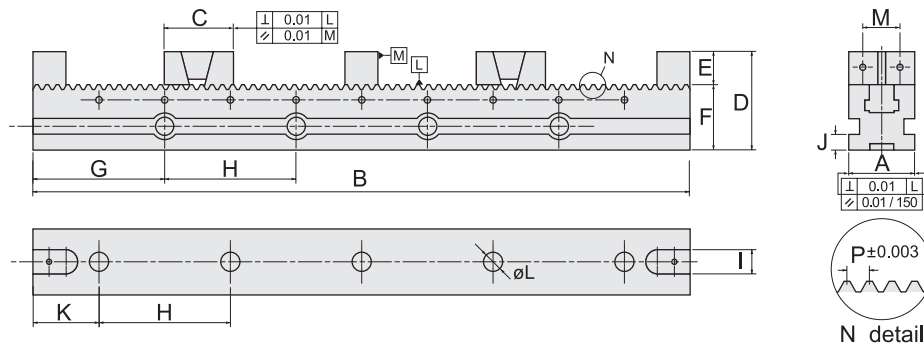
Model: HRV-50, 75, 100 (MD)



STANDARD ACCESSORIES:

- 2 pcs of Alignment Wedge
- 4 pcs of Clamp
- 1 pc of Wrench

DIMENSIONS

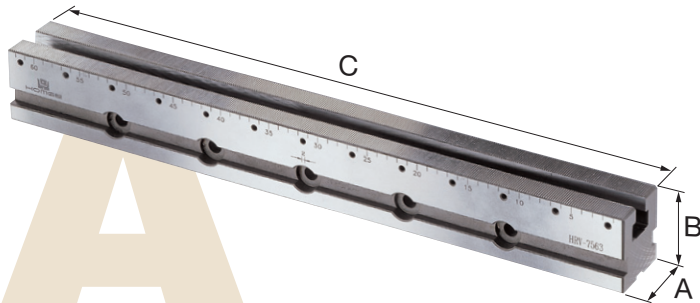


SPECIFICATIONS (Material: Tool steel. Hardness: HRC 56°~60°)

Unit: mm

Model	A	B	C	D	E	F	G	H	I	J	K	L	M	P	Weight (kg)
HRV-5030-MD	50	300	59	75	25	50 ±0.01	70	80/100	18	10	30	14	24	1.5	5.3
HRV-5040-MD		400					80				40				6.1
HRV-5050-MD		500					90				50				7.1
HRV-5060-MD		600					100				60				8.1
HRV-5070-MD		700					110				70				9.1
HRV-7543-MD	75	430	73	115	40	75 ±0.01	115	100	18	17	65	14	40	2	21
HRV-7553-MD		530					115				65				23.3
HRV-7563-MD		630					115				65				26.3
HRV-7573-MD		730					65				115				29.3
HRV-10055-MD	100	550	99	125	50	75 ±0.01	75	100	18	17	125	14	60	2.5	40
HRV-10065-MD		650					125				75				44.6
HRV-10075-MD		750					125				75				49.6

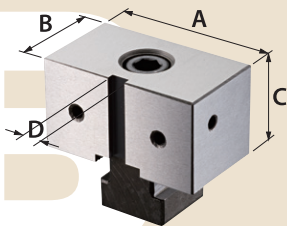
Multiple Direction Assembled Parts:



MAIN BODY

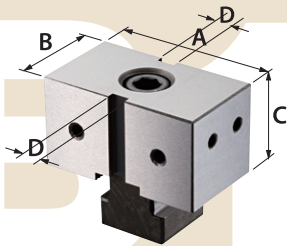
Unit: mm

Model	A	B	C
HRV-50A30	50	50	300
HRV-50A40	50	50	400
HRV-50A50	50	50	500
HRV-50A60	50	50	600
HRV-50A70	50	50	700
HRV-75A43	75	75	430
HRV-75A53	75	75	530
HRV-75A63	75	75	630
HRV-75A73	75	75	730
HRV-100A55	100	75	550
HRV-100A65	100	75	650
HRV-100A75	100	75	750



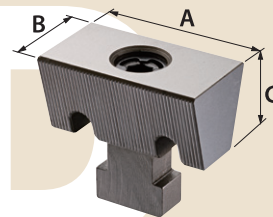
FIXED MOUTHPIECE SET

Model	A	B	C	D
HRV-50B	48	35	25	8
HRV-75B	73	42	40	8
HRV-100B	98	60	50	8



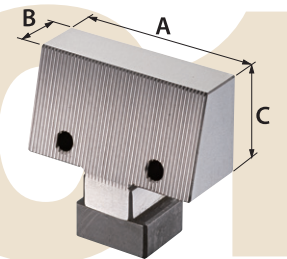
FIXED MOUTHPIECE SET

Model	A	B	C	D
HRV-50B1	48	35	25	8
HRV-75B1	73	42	40	8
HRV-100B1	98	60	50	8



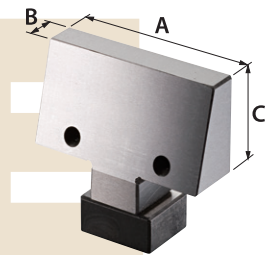
WEDGE SET

Model	A	B	C
HRV-50D	48	26	21
HRV-75D	72	42	36
HRV-100D	98	50	45



SINGLE BEVEL FIXED MOUTHPIECE SET

Model	A	B	C
HRV-50C1	48	20	25
HRV-75C1	72	19	40
HRV-100C1	98	28	50



SINGLE BEVEL MOVEABLE MOUTHPIECE SET

Model	A	B	C
HRV-50E	48	13	25
HRV-75E	73	12	40
HRV-100E	98	21	50

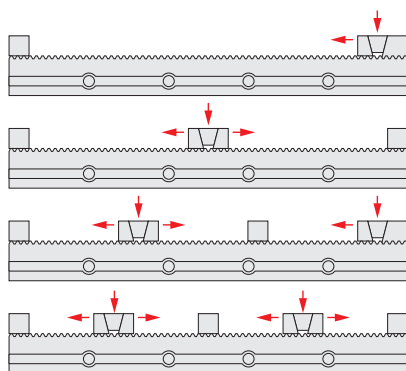
*** Note ***

HRV-5030-MD

Can clamp 3 workpieces only

MULTIPLE DIRECTION

Maximum range of the working pieces to be clamped



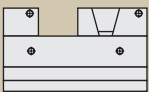
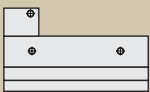

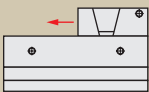
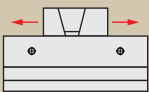
Model				
HRV-5030-MD	199	85	35	—
HRV-5040-MD	299	135	68	44
HRV-5050-MD	399	185	101	69
HRV-5060-MD	499	235	134	94
HRV-5070-MD	599	285	167	119
HRV-7543-MD	304	136	62	39
HRV-7553-MD	404	186	95	64
HRV-7563-MD	504	236	128	89
HRV-7573-MD	604	286	161	114
HRV-10055-MD	384	165	75	43
HRV-10065-MD	484	215	108	68
HRV-10075-MD	584	265	141	93

HRV ADJUSTABLE VERSIONS

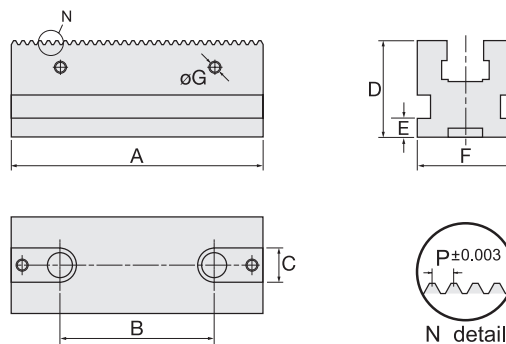
Various combinations for Multiple usages

Model: HRV-5015 (A,B,C,D,E)
 HRV-7515 (A,B,C,D,E)
 HRV-10018 (A,B,C,D,E)



				
Model	Model	Model	Model	Model
HRV-5015-A	HRV-5015-B	HRV-5015-C	HRV-5015-D	HRV-5015-E
HRV-7515-A	HRV-7515-B	HRV-7515-C	HRV-7515-D	HRV-7515-E
HRV-10018-A	HRV-10018-B	HRV-10018-C	HRV-10018-D	HRV-10018-E

DIMENSIONS



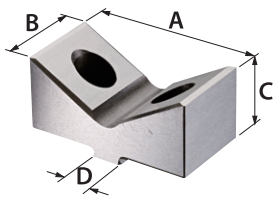
SPECIFICATIONS (Material: Tool Steel. Hardness: HRC 56°~60°)

Unit: mm

Model	A	B	C	D	E	F	G	P	Weight (kg)
HRV-5015	150	100	18	50±0.01	10	50	M6	1.5	2
HRV-7515	150	100	18	75±0.01	17	75	M6	2	4
HRV-10018	180	100	18	75±0.01	17	100	M6	2.5	7

OPTIONAL ACCESSORIES:

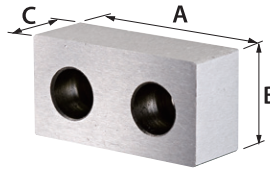
V JAW (For Fixed jaw)



Unit: mm

Model	A	B	C	D
HRV-50-VJ	48	25	21	8
HRV-75-VJ	73	40	32	8
HRV-100-VJ	98	50	44	8

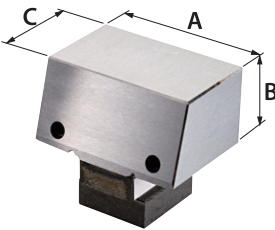
FIXED SOFT JAW (For moveable jaw)



Unit: mm

Model	A	B	C
HRV-50-FMJ	48	25	16
HRV-75-FMJ	73	40	19
HRV-100-FMJ	98	50	19

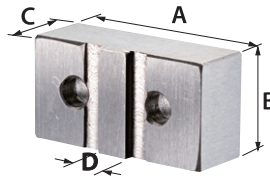
MOVEABLE SOFT JAW



Unit: mm

Model	A	B	C
HRV-50-MSJ	48	25	28
HRV-75-MSJ	73	40	30
HRV-100-MSJ	98	50	29

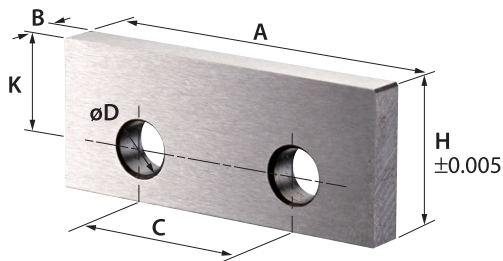
FIXED SOFT JAW (For Fixed jaw)



Unit: mm

Model	A	B	C	D
HRV-50-FFJ	48	25	16	8
HRV-75-FFJ	73	40	19	8
HRV-100-FFJ	98	50	19	8

SUPPORTING BLOCK

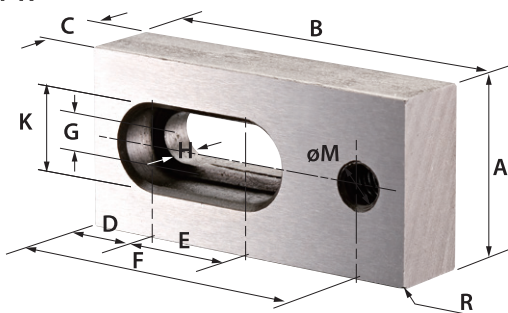


Unit: mm

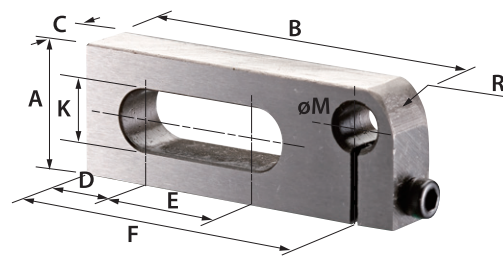
Model	A	B	C	D	H	K
SB-50A	47.5	3	24	7	17	13
SB-50B		5			20	
SB-50C		5			22	
SB-75A	72	3	40	7	25	20
SB-75B		5			30	
SB-75C		5			35	
SB-75D		5			37	
SB-100A	97.5	5	60	7	35	25
SB-100B		5			40	
SB-100C		5			45	
SB-100D		5			47	

DATUM PLATE (For HRV-50, 75, 100)

Model: DP-A



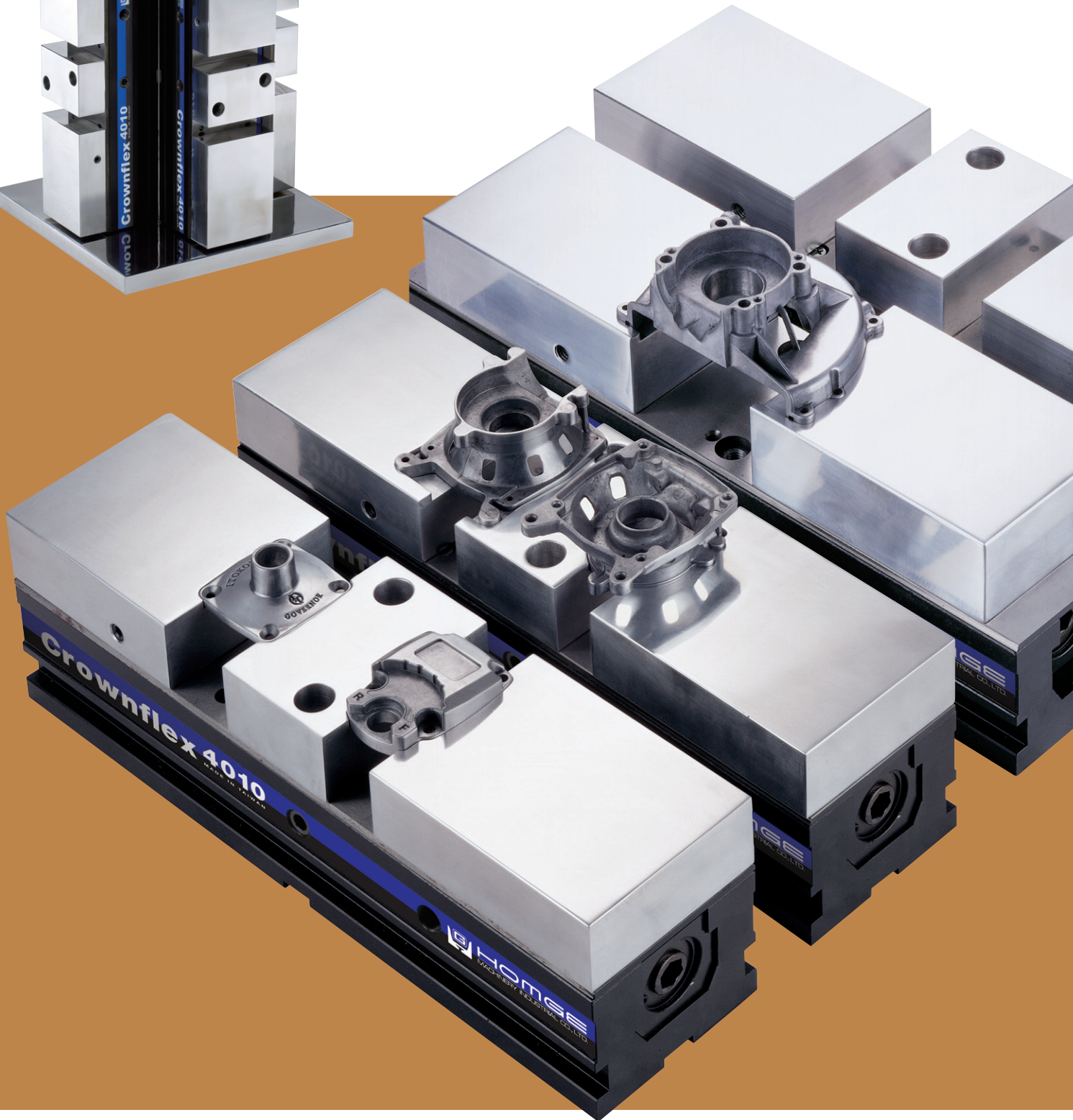
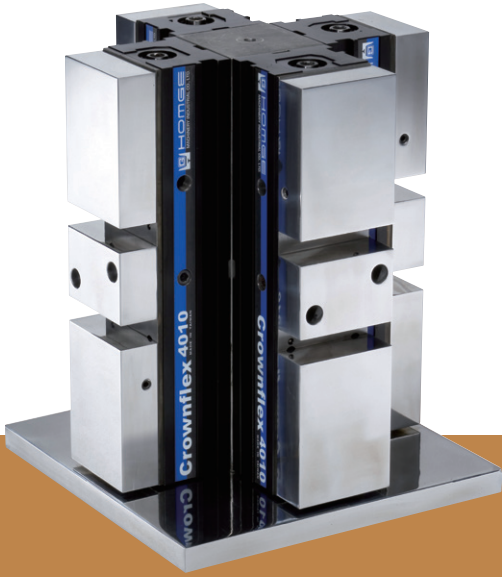
Model: DP-B



Unit: mm

Model	A	B	C	D	E	F	G	H	K	M	R
DP-A	25	50	12	10	15	43	6.5	7	11	M6	1
DP-B	19	50	9	10	15	43	—	—	8	M6	5

PATENTED
215753
209782

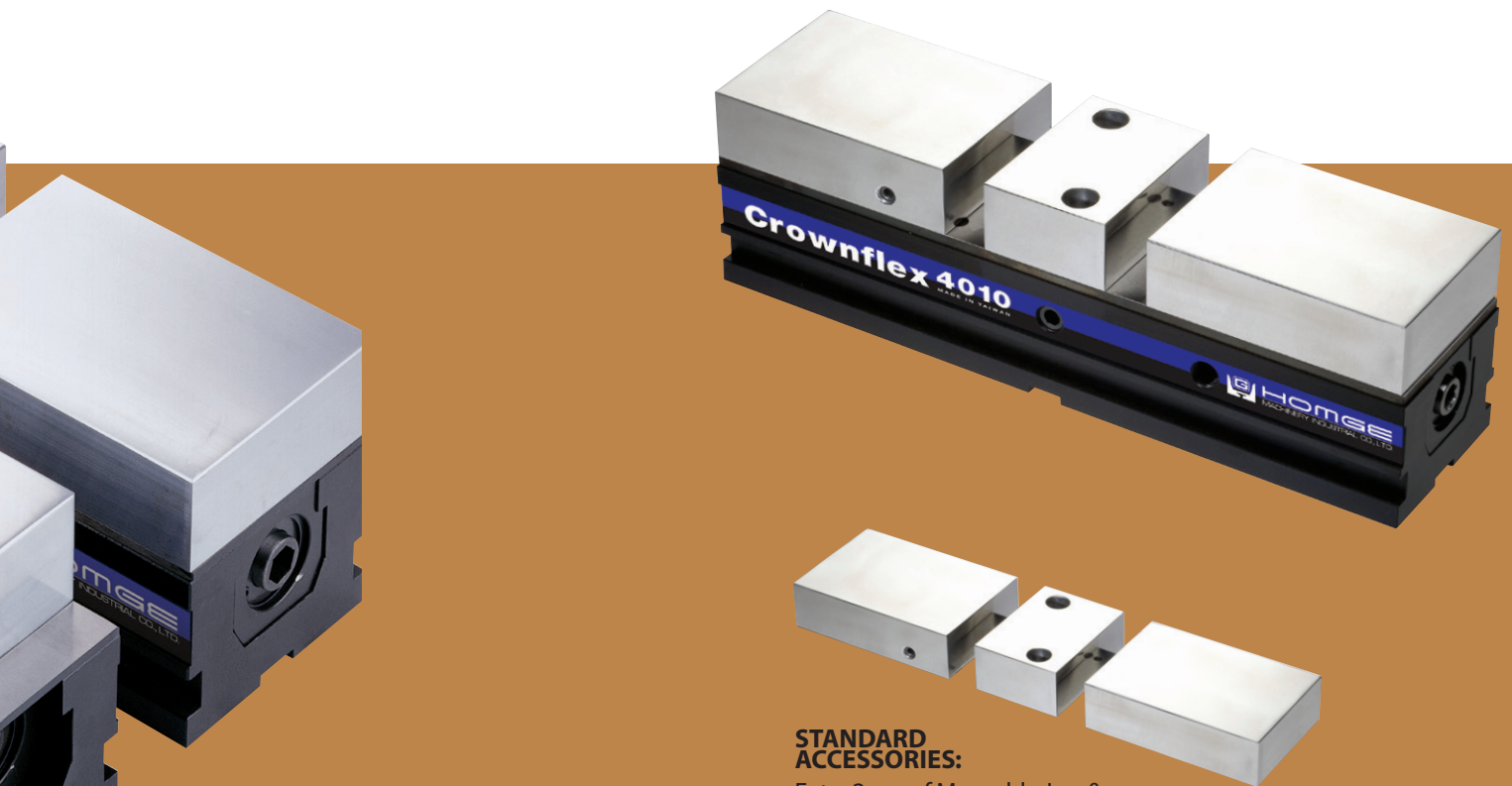


ALUMINUM VISE

Model: Crownflex-4010, 5015

The vise body is made of high tensile aluminum alloy and designed for continuous, light-duty operation. It is suitable to use with the groove and hole systems of CNC machining centers and milling machines.

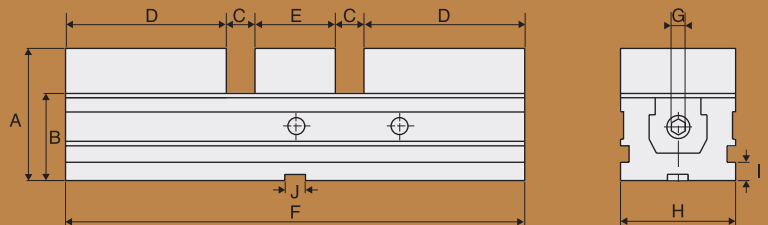
- Quick change jaws
- Double and centralized chucking in one system
- Centralized chucking for high precision



STANDARD ACCESSORIES:

- Extra 2 pcs of Moveable Jaw &
- 1 pc of Fixed Jaw
- 1 pc of Handle

Moveable Jaw and Fixed Jaw are Available for being Ordered Separately.



SPECIFICATIONS (Material: Aluminum Alloy, Durable hard anodized vise body)

Unit: mm

Model	A	B	C	D	E	F	G	H	I	J	Weight (kg)
Crownflex-4010	117	78	25	140	70	400	12	100	14	18	12.5
Crownflex-5015	144	95	25	185	80	500	14	150	22	18	30



Double and centralized chucking in one system

It is a versatile vice whether milling, drilling or grinding, offers flexible applications, high precision clamping and excellent repeatability. High tensile aluminum alloy ensures durability and exceptional stability.

A centralized chucking system that always locates symmetrically on zero. It is formed from the double chucking system by simply screwing in the centering bolts. The changeover time from double chucking will be within a minute.

PATENTED
215753
209782

ALUMINUM VISE

Model: Crownflex - 4010, 5015

Steel balls recessed in the body allowing the cover plate to be positioned without "play" due to an undersize of the taper bore. This guarantees absolute and exact positioning.

Setup takes place easily in seconds whether changing jaws or changing from centralized to double chucking for the vise.



Integral jaw brake for easier handling

It is a compact structure of integral jaw brake for this vise. Once set up, the brake function remains active in repetitive chucking operations. This function greatly facilitates clamping operations, especially when it is being used vertically.

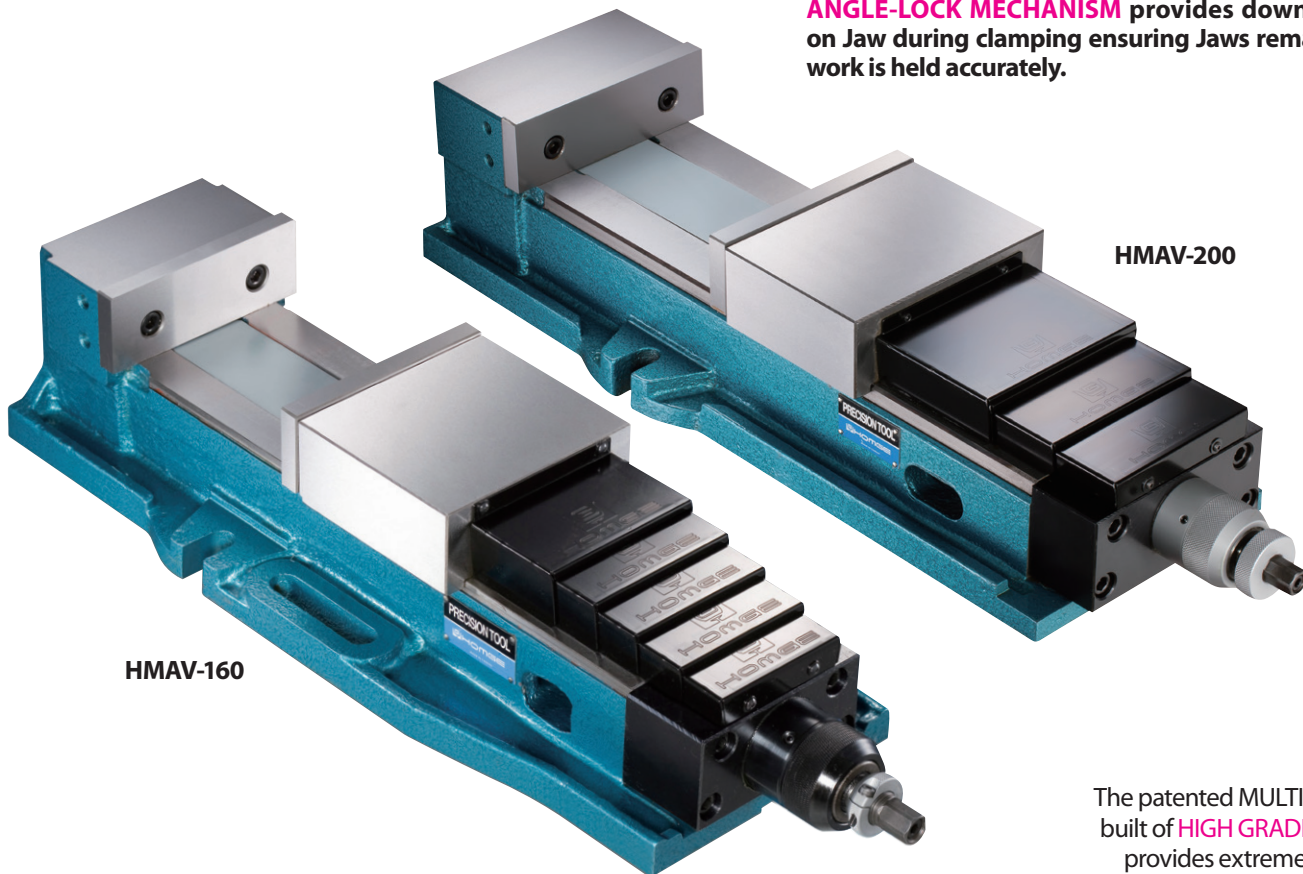
PATENTED
1 2 6 2 1 9
M307481

MULTI-POWER FIXED ANGLE PRECISION VISE (EXTENDED TYPE)

Model: HMAV-160, 200

The **SUPER-OPENING** design allows the jaws to open 310mm for HMAV-160 and 395mm for HMAV-200. With the Jaws mounted externally, the maximum work holding capacity is 450mm for HMAV-160 and 550mm for HMAV-200.

ANGLE-LOCK MECHANISM provides downward pressure on Jaw during clamping ensuring Jaws remain parallel and work is held accurately.



HMAV-160

HMAV-200



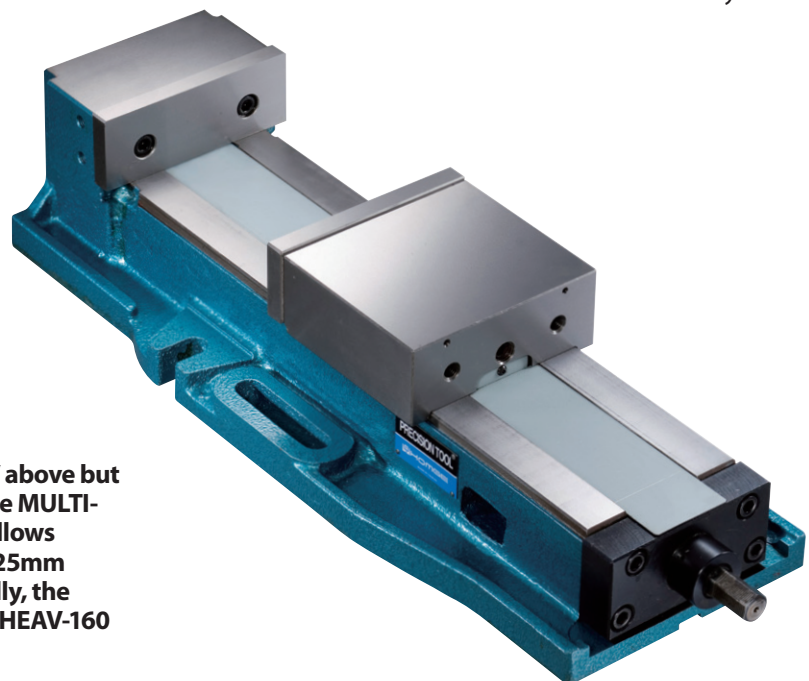
The patented MULTI-POWER SYSTEM built of **HIGH GRADE BEARING STEEL** provides extremely high clamping pressure. The pressure is more consistent and eliminates all leakage and maintenance problems associated with Hydraulic Vises.

HEAV-160

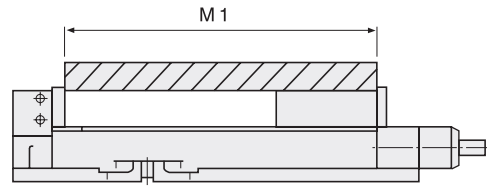
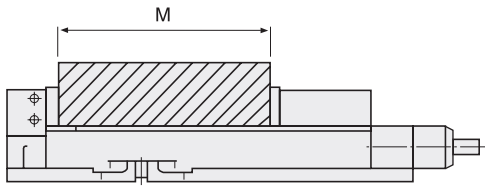
STANDARD FIXED ANGLE PRECISION VISE (EXTENDED TYPE)

Model: HEAV-160, 200

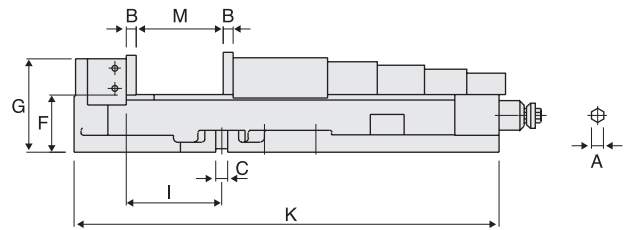
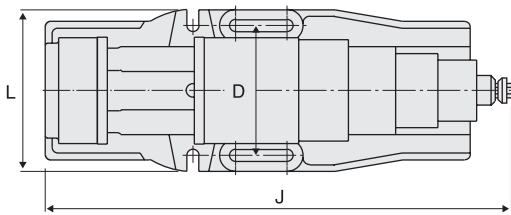
This vise has the same features as model HMAV above but has standard clamping Leadscrew instead of the MULTI-POWER SYSTEM. The **SUPER-OPENING** design allows the jaws to open 340mm for HEAV-160 and 425mm for HEAV-200. With the Jaws mounted externally, the maximum work holding capacity is 480mm for HEAV-160 and 580mm for HEAV-200.



DIMENSIONS FOR 2 JAW PLATE POSITIONS



DIMENSIONS

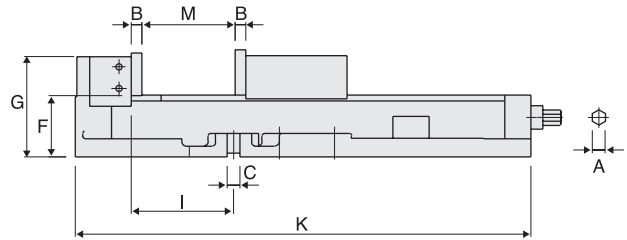
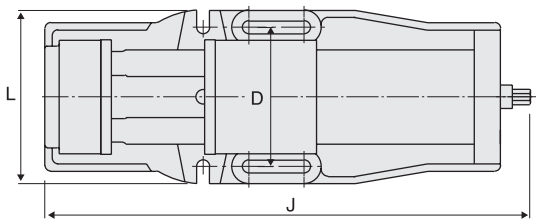


SPECIFICATIONS (Material: FCD 60 Ductile Iron. Hardness: HRC 50°)

Unit: mm

Model	A	B	C	D	F	G	I
HMAV-160	19	15	18	192	85 ± 0.01	140	141 ± 0.02
HMAV-200	19	18	18	240	100 ± 0.01	160	190 ± 0.02
Model	J	K	L	M	M1	Weight (kg)	
HMAV-160	740	628	240	310	140-450	50	
HMAV-200	830	720	280	395	155-550	95	

DIMENSIONS



SPECIFICATIONS (Material: FCD 60 Ductile Iron. Hardness: HRC 50°)

Unit: mm

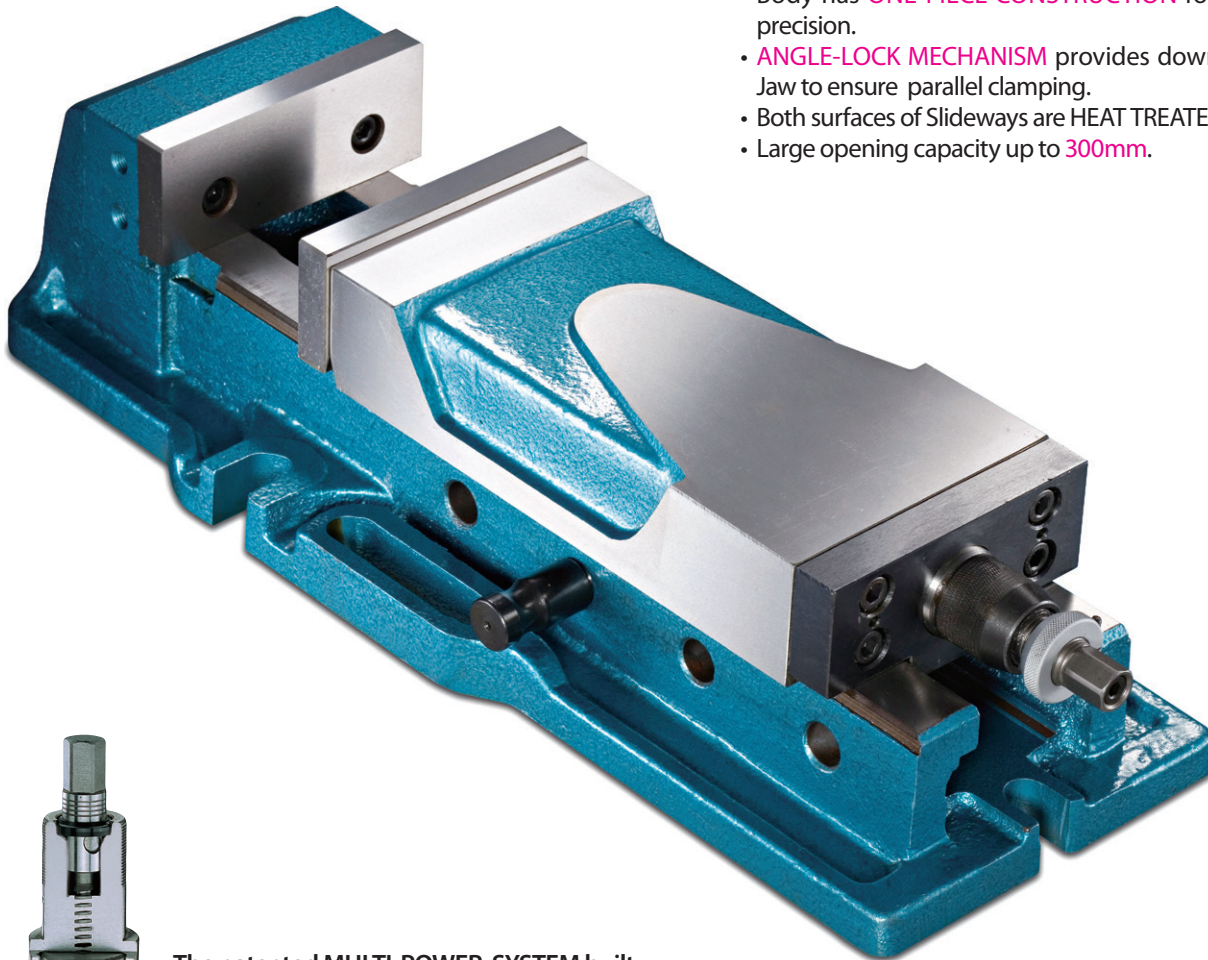
Model	A	B	C	D	F	G	I
HEAV-160	19	15	18	192	85 ± 0.01	140	141 ± 0.01
HEAV-200	19	18	18	240	100 ± 0.01	160	190 ± 0.01
Model	J	K	L	M	M1	Weight (kg)	
HEAV-160	683	628	240	340	140-480	50	
HEAV-200	775	720	280	425	155-580	95	

PATENTED
M395751
M287204

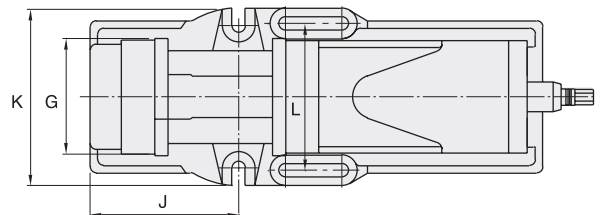
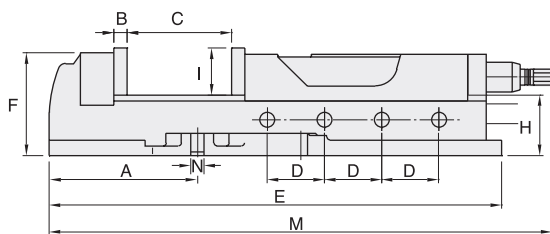
SUPER OPEN QUICK ACTION VISE

Model: HSAC-160

- Patented **MULTI-POWER SYSTEM** provides extremely high clamping force of **0~4500kg**.
- No risk of loss of clamping pressure.
- No risk of oil leakage like Hydraulic Vises.
- More compact than Hydraulic Vises.
- Body has **ONE-PIECE CONSTRUCTION** for high rigidity and precision.
- **ANGLE-LOCK MECHANISM** provides downward pressure on Jaw to ensure parallel clamping.
- Both surfaces of Slideways are **HEAT TREATED**.
- Large opening capacity up to **300mm**.



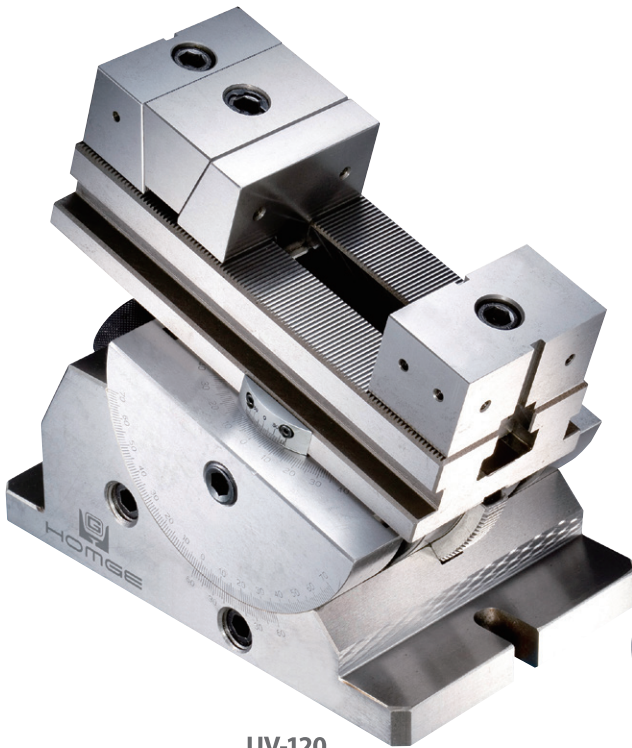
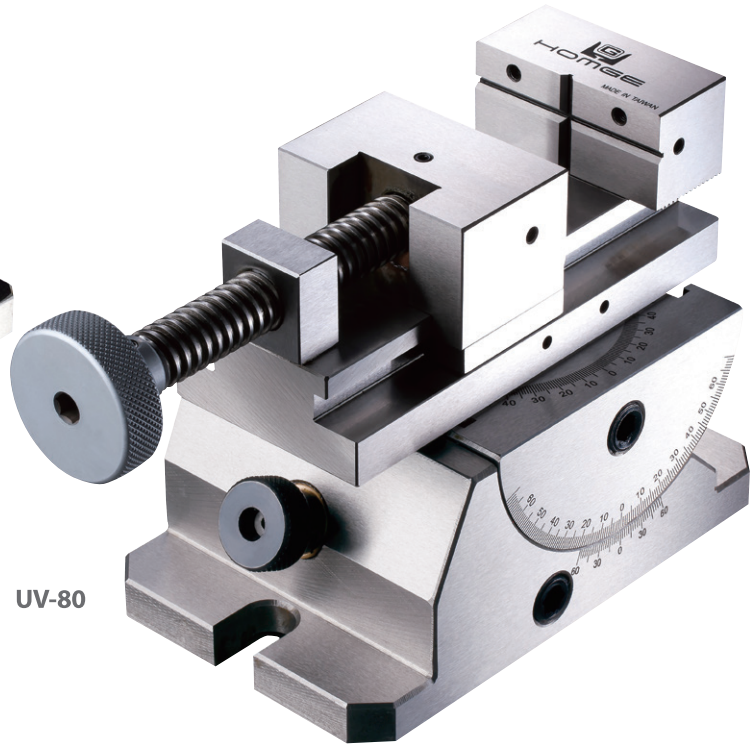
The patented **MULTI-POWER SYSTEM** built of **HIGH GRADE BEARING STEEL** provides extremely high clamping pressure. The pressure is more consistent and eliminates all leakage and maintenance problems associated with Hydraulic Vises.



SPECIFICATIONS (Material: FCD 60 Ductile Iron. Hardness: HRC 50°)

Unit: mm

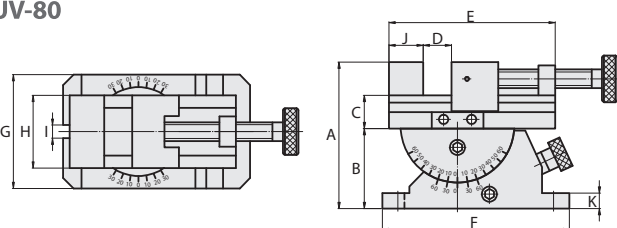
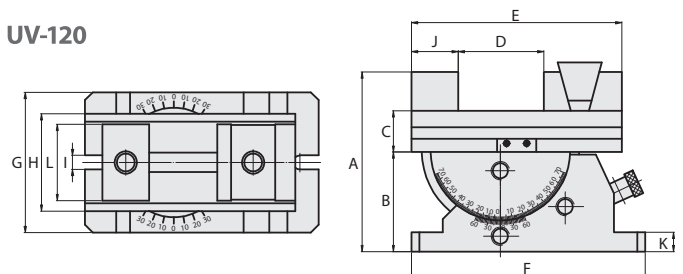
Model	A	B	C	D	E	F	G	H	I	J	K	L	M	N	Weight (kg)
HSAC-160	200	15	300	77	610	139	158	82	63	200	240	190	840	18	58


UV-120

UV-80
STANDARD ACCESSORY:

- 1 pc of Wrench

PRECISION UNIVERSAL VISE
Model: UV-80, 120

- Precision graduation for accurate reading
- Horizontal swivel through 360°
- Tilts 45° vertically
- Its swiveling and tilting features make this unit well suited for straight or inclined surface, angular drilling machining on various machine tools as precision grinding machine, boring and milling machine, electrical discharge machine, etc.

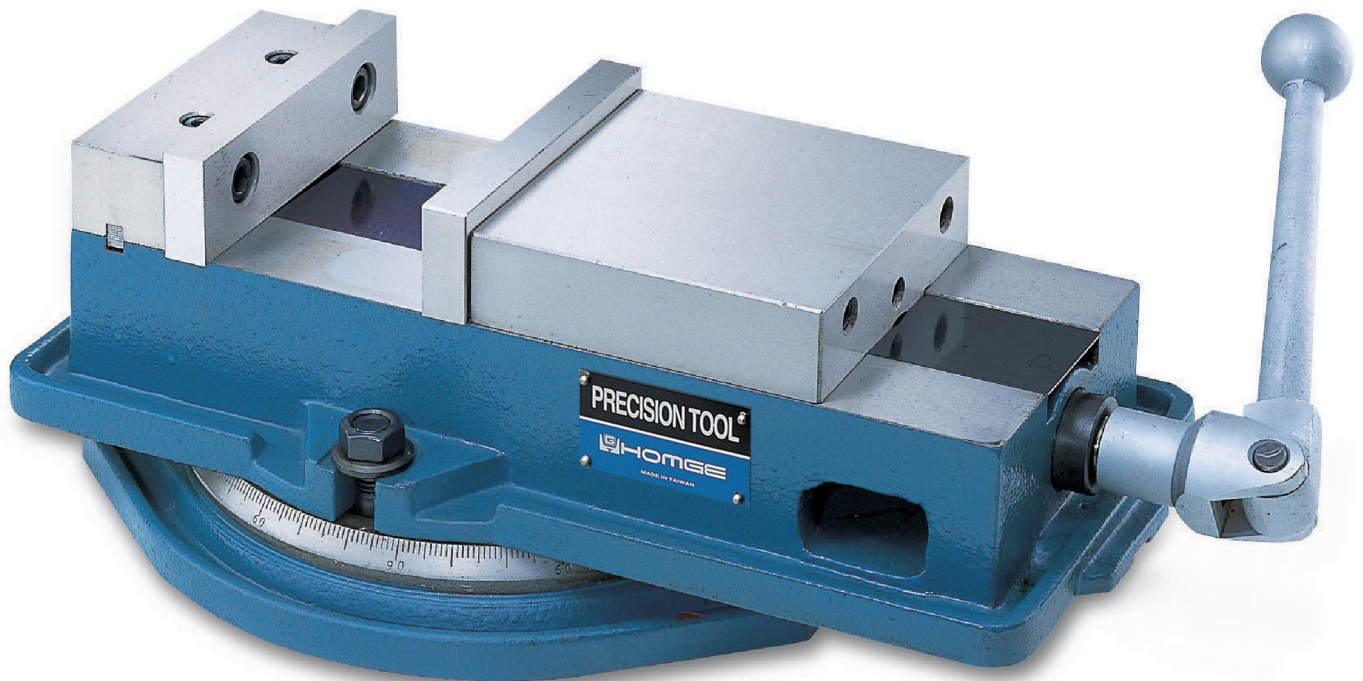
UV-80

UV-120

SPECIFICATIONS (Material: Vise: Steel / Base: FCD 50 Ductile Iron)

Unit: mm

Model	A	B	C	D	E	F	G	H	I	J	K	L	Weight (kg)
UV-80	137	75	32	78	160	180	110	70	16	32	15	-	12
UV-120	231	128	53	150	310	300	180	125	18	60	25	98	54

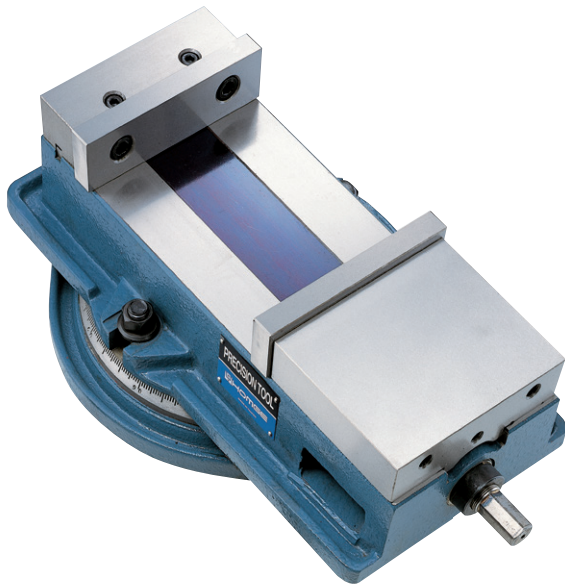
**PRECISION ANGLE LOCK
MACHINE VISE**

Model: HAV-4", 5", 6", 8", 12"

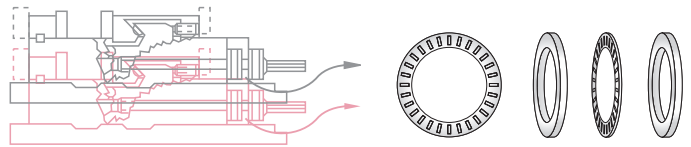
**PRECISION ANGLE LOCK
MACHINE VISE**

Model: 6" SUPER-OPEN 8"

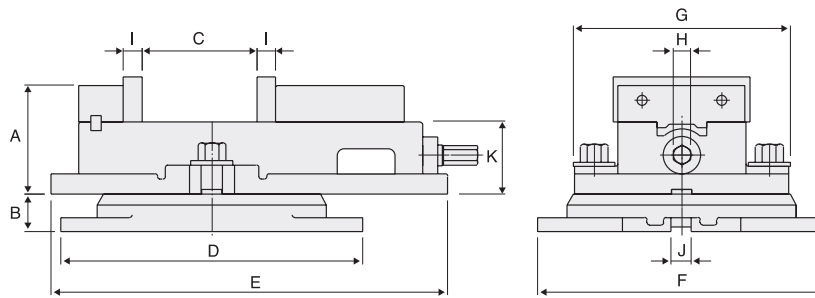
FEATURES



- 1.** Two set screws in the Fixed-Jaw ensure that it does not tilt backwards when a very high clamping force is applied.
- 2.** Iron Leadscrew Cover protects Leadscrew from swarf.
- 3.** Both sides of Slideways are HEAT TREATED .
- 4.** ANGLE LOCK MECHANISM creates downward pressure on Jaw ensuring both jaws are parallel during clamping.
- 5.** Needle Bearing Thrust Collar cuts friction and increases clamping pressures 80%.



DIMENSIONS



SPECIFICATIONS

Unit: mm/inch

Model	A		B		C		D		E		F		G		H		I		J		K		Weight (kg)	
	mm	inch	mm	inch	mm	inch	mm	inch	mm	inch	mm	inch	mm	inch	mm	inch	mm	inch	mm	inch	mm	inch		
HAV-4"	107	4 1/8	154	6 1/16	220	8 9/16	271	10 1/2	87	3 27/64	30	1 1/16	110	4 1/4	163	6 1/2	249	9 3/4	304	12	98	3 55/64	32	1 1/4
HAV-5"	138	5 1/2	201	8	304	12	368	14 1/2	110	4 1/4	40	1 1/2	198	7 3/4	264	10 3/4	402	15 13/16	476	18 3/4	136	5 27/64	55	2 3/16
HAV-8"	320	12 5/8	400	15 3/4	480	18 7/8	560	22	219	8 5/8	-	-												

SPECIFICATIONS (Material: FCD 55 Ductile Iron. Hardness: HRC 45°)

Unit: mm/inch

Model	A		B		C		D		E		F		G		H		I		J		K		Weight (kg)								
	mm	inch	mm	inch	mm	inch	mm	inch	mm	inch	mm	inch	mm	inch	mm	inch	mm	inch	mm	inch	mm	inch									
6" SUPER-OPEN 8"	190	7 1/2"	263	10 3/8"	349	13 3/4"	413	16 1/4"	114	4 1/2	42	1 5/8	198	7 3/4"	336	13 1/4"	433	17"	300	11 3/4"	238	9 3/8"	19	3/4"	18	3/4"	18	3/4"	75	2 63/64"	50



SUPER-OPEN MILLING VISE

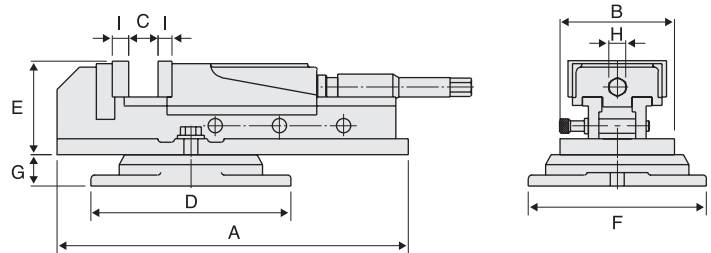
Model: H-400, 600, 800

8" JAW OPENING ON H-400 VISE

11" JAW OPENING ON H-600 VISE

14" JAW OPENING ON H-800 VISE

Except the Hydraulic System, it has almost the same features with HH-Type HYDRAULIC MACHINE VISE.



Unit: mm / inch

SPECIFICATIONS

Model	A		B		C		D		E		F		G		H		I		Weight (kg)
H-400	394	1533/64	148	553/64	200	8	224	813/16	105	4	204	41/8	35	13/8	19	3/4	15	19/32	19
H-600	535	211/16	200	77/8	275	11	280	111/64	142	519/32	256	105/64	32	11/4	19	3/4	15	19/32	45
H-800	605	2313/16	250	10	336	14	336	1315/64	144	543/64	300	1113/16	40	137/64	19	3/4	15	19/32	75

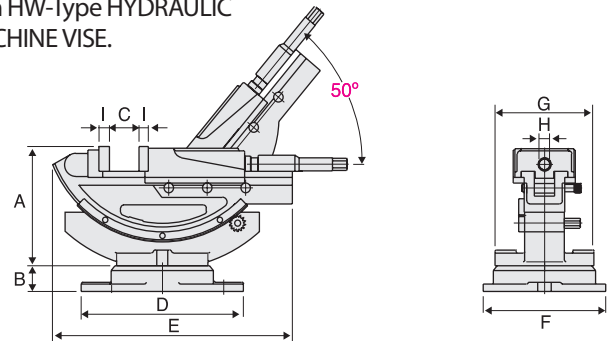


TILTING SUPER-OPEN VISE

Model: HHY-100, 150

Our most popular angle milling vise

- Tilts up and down.
- Base swivels.
- High quality casting with ground finish.
- Easy and light operating, 4 holes can be firmly clamped quickly.
- Type HHY-150 jaw's opening 310mm, 2 times larger than the normal milling vises.
- Except the Hydraulic system, it has almost the same features with HW-Type HYDRAULIC MACHINE VISE.



Unit: mm

SPECIFICATIONS

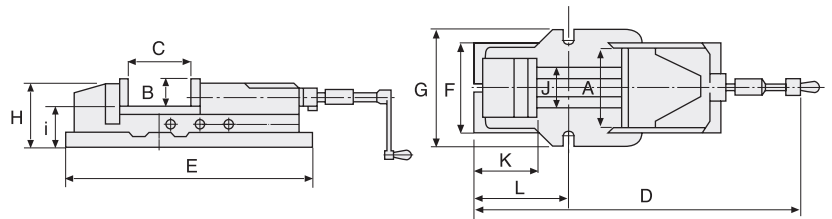
Model	A	B	C	D	E	F	G	H	I	Weight (kg)
HHY-100	195	42	170	270	405	228	168	19	15	37
HHY-150	214	40	310	336	485	300	238	19	15	64



HYDRAULIC MACHINE VISE

Model: HH-100, 125, 150, 200

- Constructed with HYDRAULIC CYLINDER, which absorbs cutting vibration and improves the precision of machining whilst maintaining a high clamping force.
- The clamping force can be adjusted accurately by use of a DIAL.
- Vise Body is made of high tensile cast iron. The Sideways are hardened and ground to ensure rigidity, durability and minimal deformation.
- The vise Jaws are made of a special hardened ALLOY STEEL and are precision ground.



SPECIFICATIONS

Unit: mm

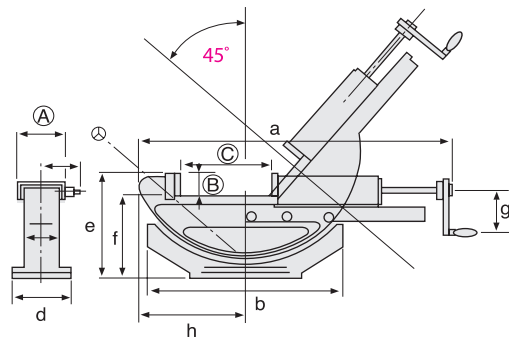
Model	A	B	C	D	E	F	G	H	I	J	K	L	Clamping force	Weight(kg) Body	Weight (kg) Swivel Base
HH-100	105	36	170	525	440	135	170	95	58	80	110	147	2500	21	7
HH-125	130	48	220	670	550	175	207	120	70.5	97	125	195	3000	38	8
HH-150	150	53	300	800	620	182	225	135	82.5	116	130	210	4500	53	11
HH-200	200	62	300	900	680	260	280	162	100	160	159	260	8000	95	13



TILTING HYDRAULIC MACHINE VISE

Model: HW-100, 150

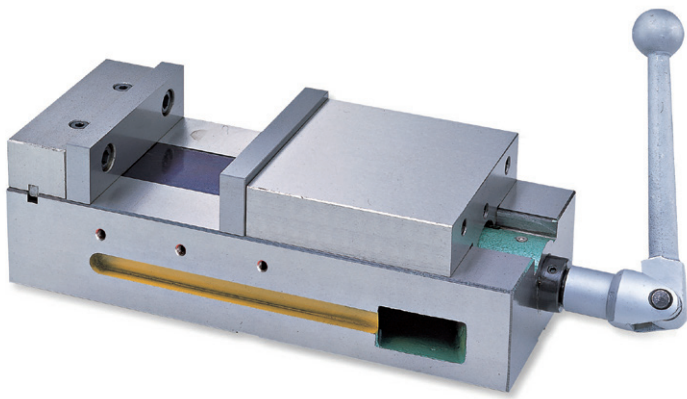
- Constructed with the same specifications as the HH-Type above.
- Having the added tilting function it is particularly well suited to many jig and fixture making applications as well as being more versatile for general machining work.



SPECIFICATIONS

Unit: mm

Model	A	B	C	a	b	d	e	f	g	h	Clamping Force(kg)	Weight(kg) Body	Weight (kg) Swivel Base
HW-100	105	36	170	547	340	165	191	155	80	170	2500	26	7
HW-150	150	53	300	790	435	225	250	197	100	200	4500	70	11

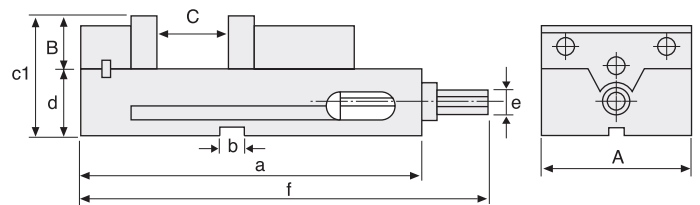


LOCK II MACHINE VISE

Model: HMC-6"

This is the "Just Right" vise for use on all your tape controlled machine tools. What the vise doesn't have is a coolant through. This enables you to anchor a series of these vises snuggle side-by-side on the machine bed. A number of similar parts can be clamped and machined at the same time, with minimum center-to-center machining distance. Up goes your production rate; down goes costs. Both sides are precision ground square to bottom and parallel with each other and so the vise can also be used at vertical position with its vise bed perfectly perpendicular to the machine table.

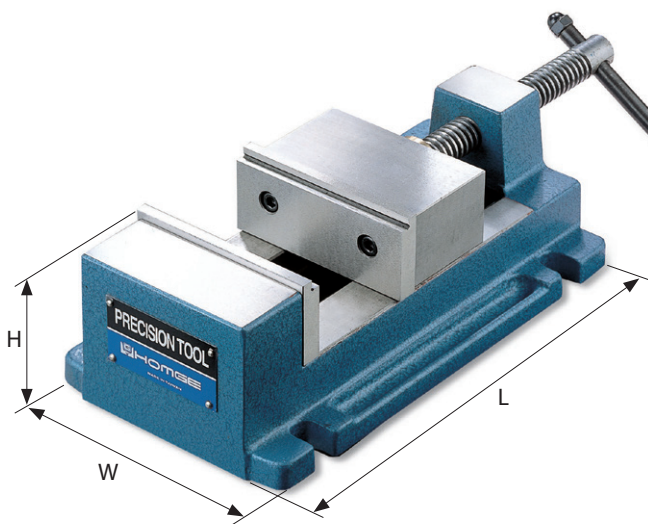
- Can be placed side-by-side on your N/C equipment.
- Permits fast accurate multiple machining.
- **Sides ground.**
- ACCURACY Both sides square to bottom to 0.01mm and parallel with each other to 0.02mm (All others same as HAV-6" Vise.)
- Keyways on bottom to steady jaw plate.



Unit: mm

SPECIFICATIONS (Material: FCD 55 Ductile Iron)

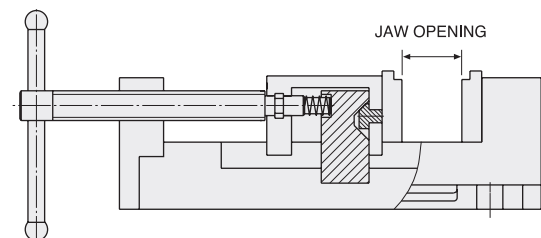
NO	Model	A	B	C	a	b	c1	d	e	f	Weight (kg)
V-66	HMC-6"	156	44	146	370	18	119	75	19	438	32



ANGLE LOCK DRILL PRESS VISE

Model: HDV-100, 130

- ANGLE LOCK MECHANISM produces downward pressure on Jaw during clamping, ensuring that both Jaws are parallel and work is held accurately.
- Built of high tensile (FCD 55) Ductile Iron .
Slideways and underside of vise are precision grounded.
- The Stepped Jaw Plates are hardened to HRC 50° and precision grounded.



SPECIFICATIONS (Material: FCD 55 Ductile Iron)

Unit: mm

Model	L	W	H	Jaw Plate Height	Jaw Plate Width	Jaw Opening	Weight (kg)
HDV-100	277	140	83	43	100	95	6.6
HDV-130	316	175	83	43	130	105	8.2

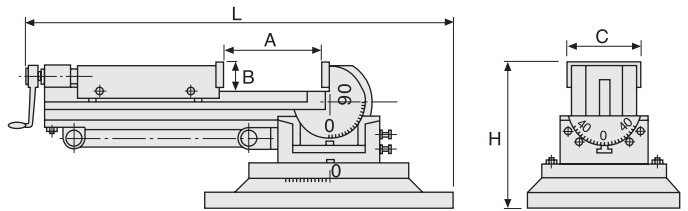
UNIVERSAL 3-WAY TILTING VISE

Model: HY-3", 4", 5"

Material is highest quality **Ductile Iron FCD 55**.

It's durable and won't be broken.

- Angles can be set in three dimensions.
- The 360° tunable base is graduated in degrees.
- The vise can be elevated through 90° from the horizontal to the vertical position, and it can also be tilted on its lower angle setting base up to 45° in both the left and right directions.
- The vise can be securely locked in all of its three settings.



SPECIFICATIONS (Material: FCD 55 Ductile Iron)

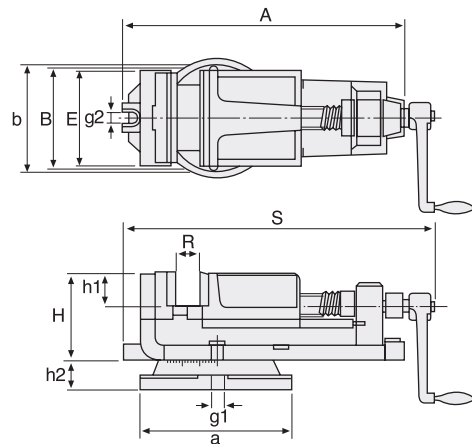
Unit: mm

Model	A	B	C	H	L	Vertical Height	Weight (kg)
HY-3"	90	30	80	150	396	386	17
HY-4"	105	38	106	172	460	470	33
HY-5"	140	40	132	205	625	590	45



K-TYPE MACHINE VISE

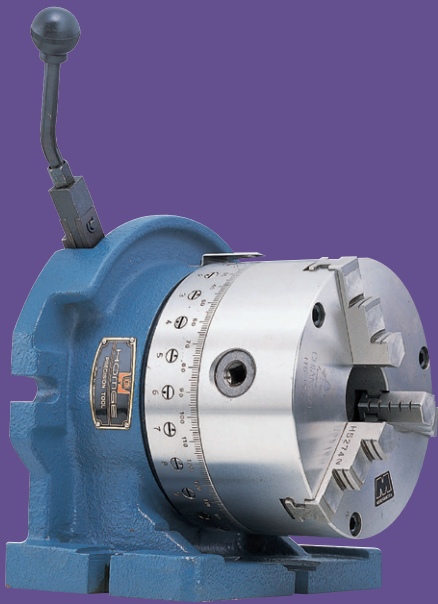
Model: HKV-100, 125, 150, 200



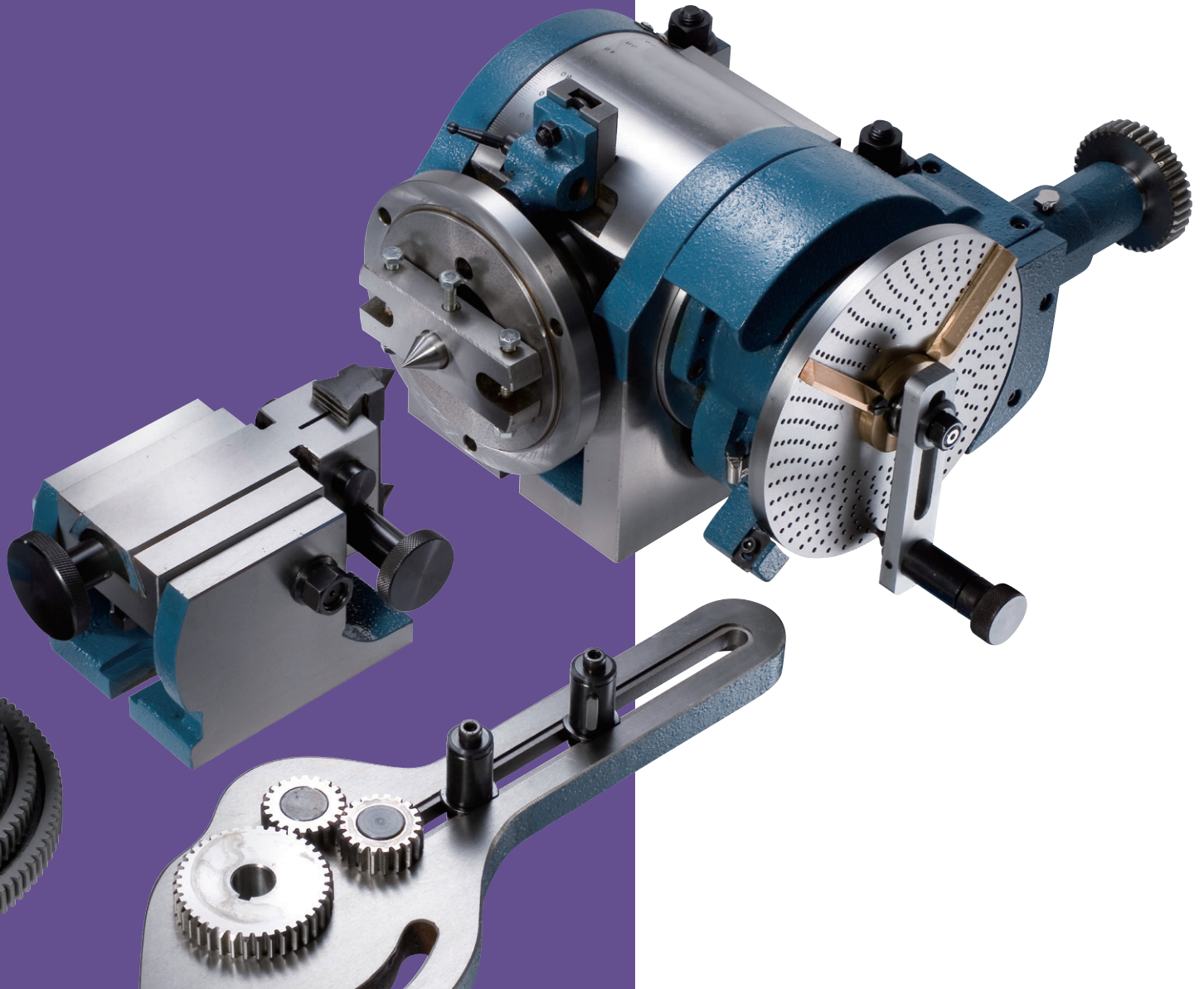
SPECIFICATIONS

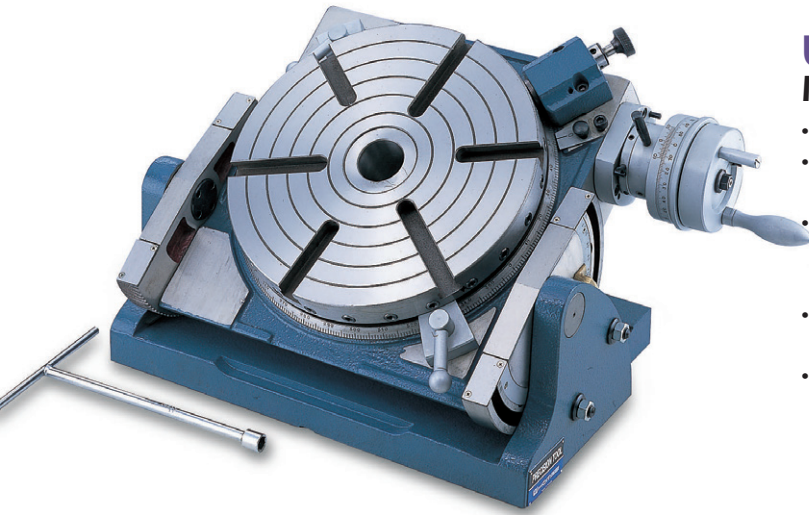
Unit: mm

NO	Model	E	A	B	H	R	S	a	b	h1	h2	g1	g2	Weight (kg)
V-72	HKV-100	100	267	106	75	65	295	160	114	30	25	10	10	10
V-73	HKV-125	125	340	130	99	80	400	210	155	38	23	10	10	16
V-74	HKV-150	150	421	160	105	114	462	245	175	40	40	13	13	26
V-75	HKV-200	200	576	215	144	150	620	340	230	58	45	17	17	52



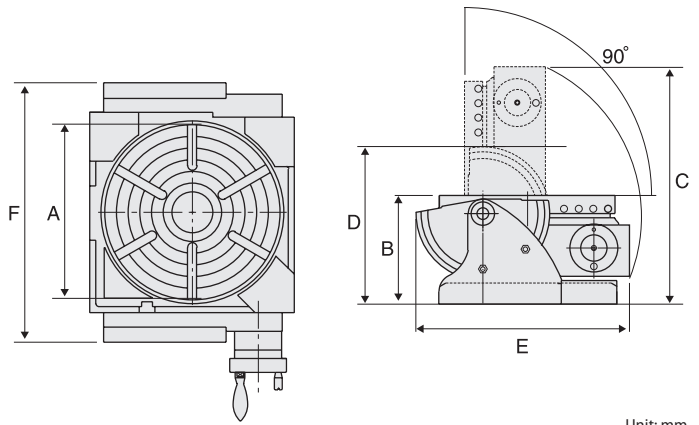
DIVIDING EQUIPMENT





UNIVERSAL TILTING ROTARY TABLE Model: HUT-300

- QUICK MANUAL INDEXING.
- Suitable for milling, boring, shaping, drilling, dividing, setting angles and for circular cutting.
- Tilting range of 90 degrees from horizontal to vertical position. For the tilting operation each turn of the handwheel tilts the table by 3 degrees.
- 24 indexing holes around the edge of the table allow quick manual indexing.
- Graduations are large and clearly marked for quick and easy setting of complex angles.



OPTIONAL ACCESSORIES:

- Tail Stock
- Dividing Plate Set
- 7", 8" or 9" 3-Jaw Chuck

SPECIFICATIONS

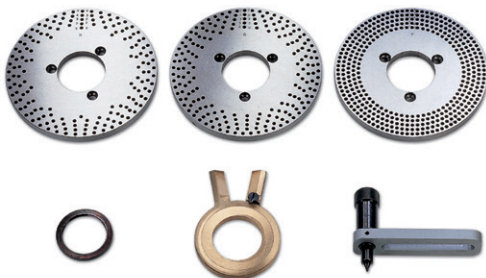
Model	A	B	C	D	E	F	GEAR RATIO	CENTER HOLE	DIRECT INDEXING	Weight (kg)
HUT-300	∅300	185	405	228	336	444	90:1	MT-5	2, 3, 4, 6, 8, 12, 24	93

Unit: mm

Dividing Plate Set

For HUT-300

Model:
HUT-300DP



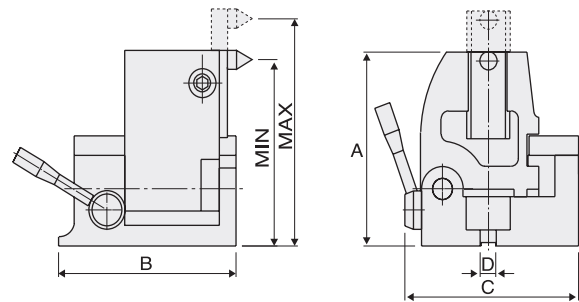
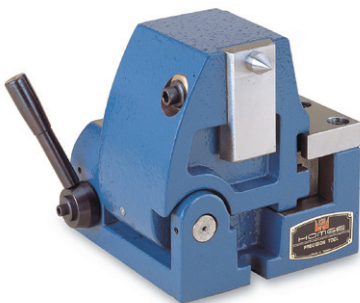
NUMBER OF HOLES:

- A Plate:** 9, 28, 34, 41, 47, 10, 29, 35, 43, 49
- B Plate:** 21, 31, 37, 44, 53, 26, 32, 38, 46, 59
- C Plate:** 61, 71, 77, 83, 91, 67, 73, 79, 89, 97

Tail Stock

For HUT-300

Model:
HUT-300TS



SPECIFICATIONS

Model	A	B	C	Center Height		E	Weight (kg)
				Max	Min		
HUT-300TS	200	196	190	230	113	16	23

Unit: mm

SUPER DIVIDER

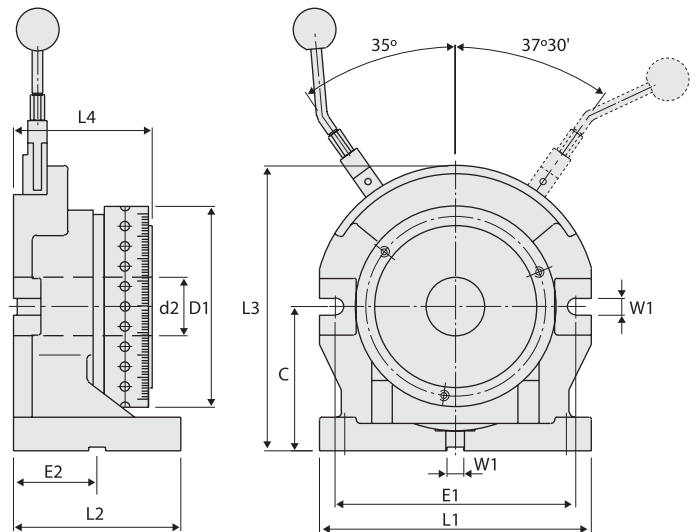
Model: HSD-7"



- Superior accuracy
- "One-Touch" Operation
- Saves energy

OPTIONAL ACCESSORY:

- 7" 3-Jaw Chuck



SPECIFICATIONS (Material: FCD 55, Ductile Iron)

Unit: mm / inch

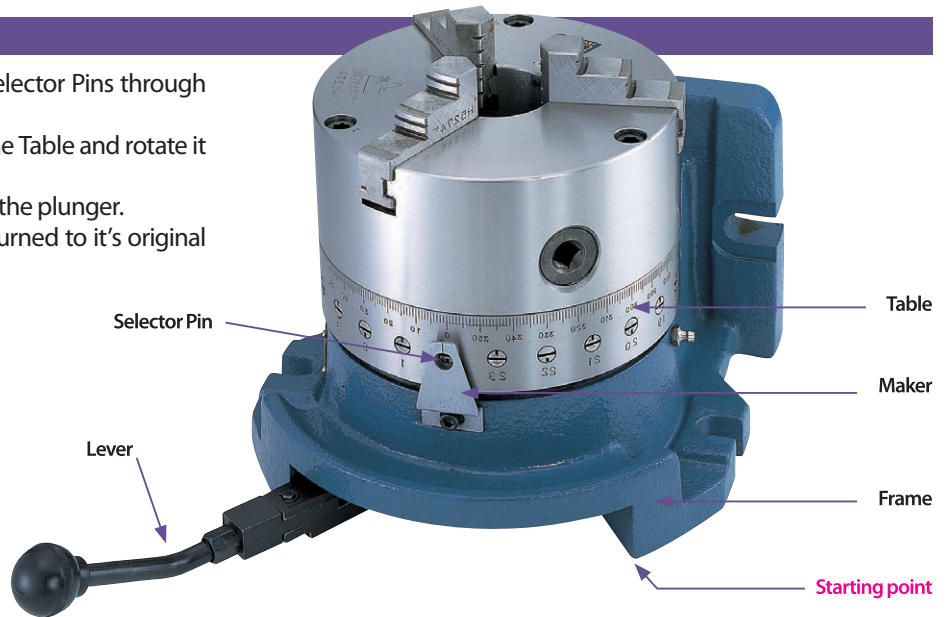
Model	DIRECT INDEXING	C		D1		E1		E2		W1		Weight (kg)
HSD-7"	2, 3, 4, 6, 8, 12, 24	138	57/16"	192	79/16"	230	91/16"	80	35/32"	16	5/8"	36
Model	L1		L2		L3		L4		Internal Dia. (d2)		Permissible Load	
HSD-7"	260	101/4"	160	61/4"	273	103/4"	132	513/64"	Max. 56 (21/4")		Max. 50kg (110 lb)	

IMPORTANT:

For repeated operation, make sure the Lever is always turned back to the starting point after each dividing operation.

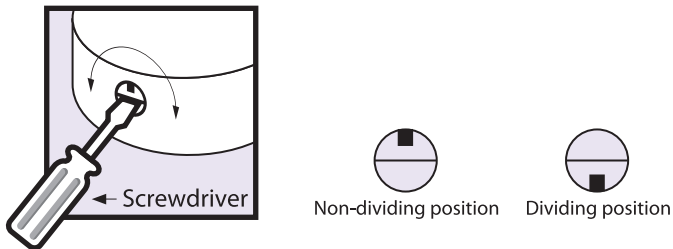
OPERATION

- Set the divisions by turning the required Selector Pins through half a turn with a Screw Driver.
- Moving the Lever clockwise will unclamp the Table and rotate it to the next selected division.
- The Table will be stopped at the division by the plunger.
- The Table is clamped when the Lever is returned to it's original position.



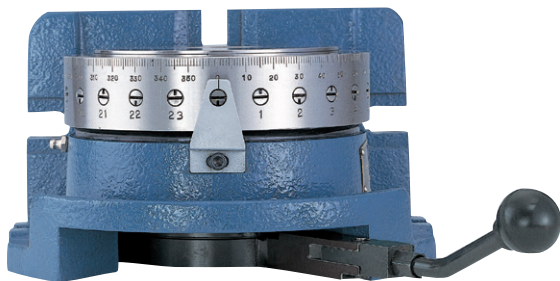
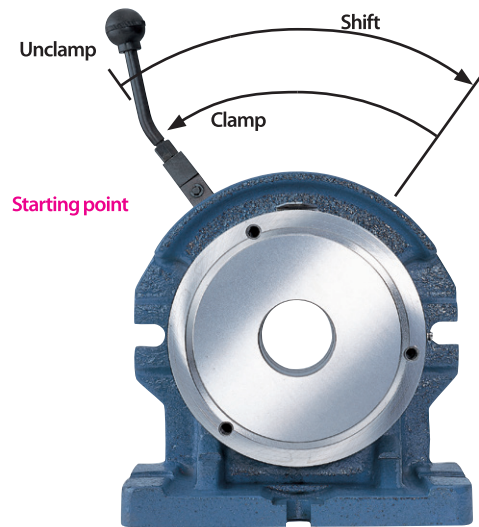
EASY SELECTION OF DIVIDING POSITIONS

The division are easily and quickly set by simply turning the Selector Pins through half a turn with a Screwdriver.



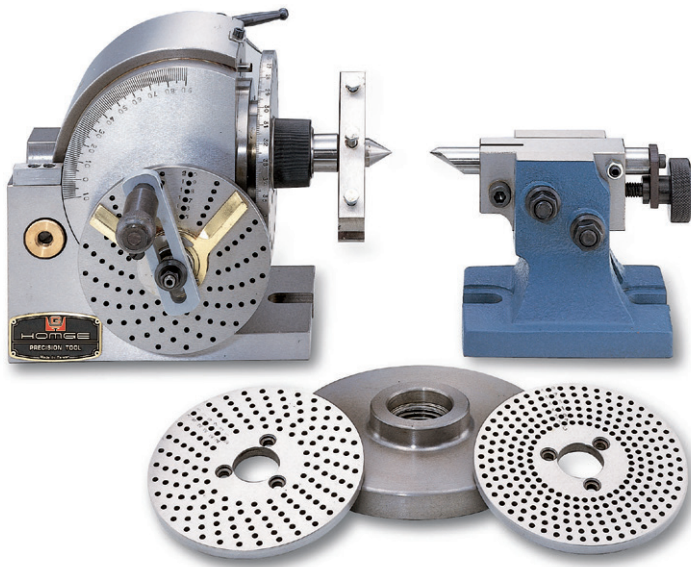
ONE ACTION POSITIONING

Only one hand is required to unclamp, index and clamp the Table due to the unique 'HOMGE' design. Lever action is light and quick.



CAUTION

- Do not move the Lever until the Divider has been fitted on the machine table. The Lever can only be operated once the unit is clamped firmly on the machine.
- Always return the Lever to the clamped position after each movement to prevent jamming.
- Do not force the Lever if it jams through mis-operation, simply turn the Selector Pin to the passing position in order to free the Lever.
- Do not commence machining until the plunger has stopped the Table from rotating and the Lever has been returned to the clamped position.



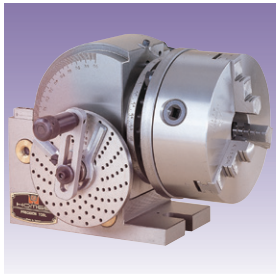
SEMI-UNIVERSAL DIVIDING HEAD

Model: BS-0, BS-1

Semi-Universal Dividing Head is a simplified type of Universal Index Center and can be used for direct and indirect dividing. No accessories for the differential dividing and spiral work are included, but the whole construction of the dividing head and tailstock are identical with those of the universal type.

The unit has a Direct Indexing Plate with 24 holes enabling the direct dividing of 2, 3, 4, 6, 8, 12 and 24 divisions. Three further Indexing Plates are provided as standard to facilitate indirect dividing of all divisions from 2 to 50 and also most useful divisions up to 380.

REMARK: " Operation and Service Manual " is included for reference

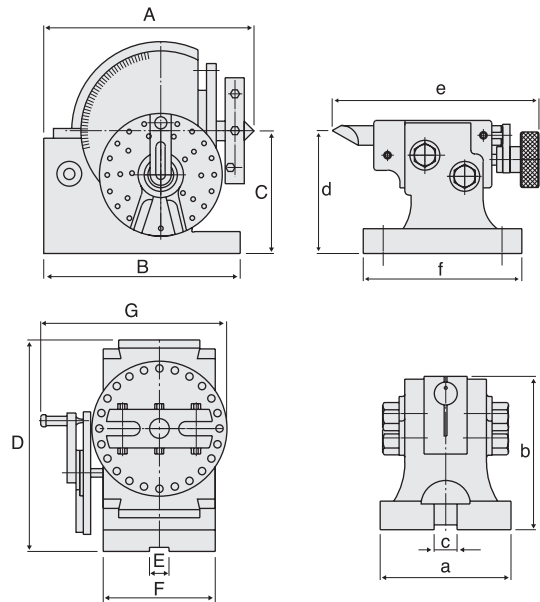


OPTIONAL ACCESSORY:

• 3-Jaw Chuck

4" or 5" 3-Jaw Chuck for BS-0

5" or 6" 3-Jaw Chuck for BS-1



SPECIFICATIONS

Unit: mm / inch

Model	A		B		C		D		E		F		G		Weight (kg)
BS-0	189	77/16	160	619/64	100	315/16	173	613/16	16	5/8	91	337/64	140	533/64	22
BS-1	293	1111/32	210	817/64	128	53/32	220	821/32	16	5/8	114	431/64	156	69/64	32

TAIL STOCK For SEMI-UNIVERSAL DIVIDING HEAD BS-0 & BS-1

Unit: mm / inch

Model	a		b		c		d		e		f		Taper of Center	Diameter of Spindle hole
BS-0	90	335/64	105	49/64	16	5/8	100	315/16	166	634/64	127	5	B&S No.7	18
BS-1	108	41/14	134	518/64	16	5/8	128	53/32	184	71/4	150	529/32	B&S No.9	20

STANDARD ACCESSORIES:

DIVIDING PLATE A, B, C.

NUMBER OF HOLES OF DIVIDING PLATE (WORM GEAR REDUCTION RATIO 40:1)

Number of holes	Plate A	15	16	17	18	19	20
	Plate B	21	23	27	29	31	33
	Plate C	37	39	41	43	47	49

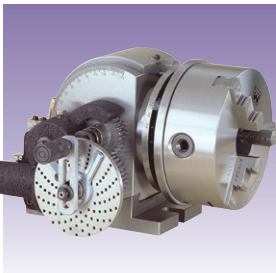
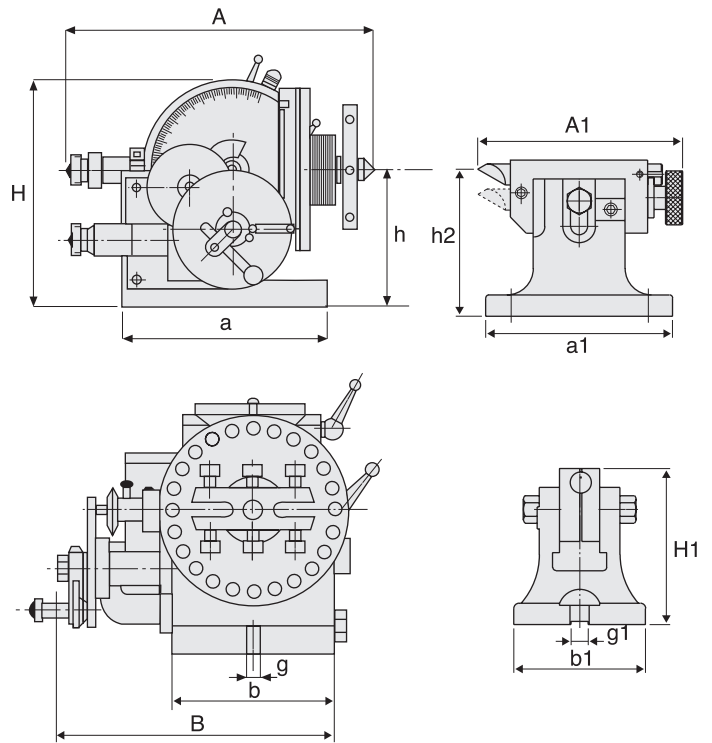


UNIVERSAL DIVIDING HEAD

Model: BS-2

The HOMGE'S Universal Dividing Head is designed for all types of gear cutting. Precision dividing and spiral dividing (except Type BS-0, and BS-1) work with greater precision and efficiency than has been possible before. The center face can be tilted from a horizontal position of 90° down to -10° from vertical, and inclinations can be read off a scale graduated in degrees. The center is built to the highest engineering standards and is factory inspected and tested to ensure complete satisfaction. The ratio of worm to gear is 40:1.

REMARK: " Operation and Service Manual " is included for reference



OPTIONAL ACCESSORY:

- 3-Jaw Chuck
- 6" or 7" 3-Jaw Chuck for BS-2

SPECIFICATIONS

Unit: mm / inch

Model	A		B		H		h		a		b		g		Taper of center	Weight (kg)
BS-2	365	1413/32	272	1045/64	236	919/64	132.7	515/64	213	825/64	134	59/32	16	5/8	B&S No.10	63

TAIL STOCK for UNIVERSAL DIVIDING HEAD BS-2

Unit: mm / inch

Model	A1	a1		b1		g1		H1	Center Height (h2)			
BS-2	194	741/64	177	662/64	125	459/64	16	5/8	147	550/64	Max. 138	Min. 115

STANDARD ACCESSORIES:

DIVIDING PLATE A, B, C.

NUMBER OF HOLES OF DIVIDING PLATE (WORM GEAR REDUCTION RATIO 40:1)

Number of holes	Plate A	15	16	17	18	19	20
	Plate B	21	23	27	29	31	33
	Plate C	37	39	41	43	47	49



OPTIONAL ACCESSORIES:

• Tail Stock.

TS-4 for CC-6"

TS-5 for CC-8"

• 3-Jaw Chuck

6" 3-Jaw Chuck for CC-6"

8" 3-Jaw Chuck for CC-8"

SIMPLE INDEXING SPACER

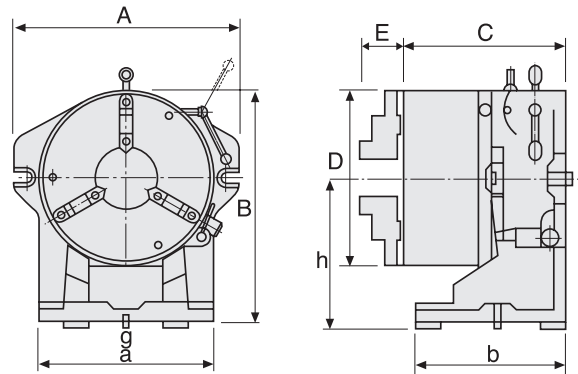
Model: CC-6", CC-8"

The Simple Indexing Spacer can be mounted on milling machines, drilling machines and other machine tool where an indexing facility is required. The 3-jaw chucks of both the CC-6" and the CC-8" models have a large through bores of 44mm and 63mm respectively.

These Indexing Spacers are designed for using in horizontal or vertical positions. The master Indexing plate has 24 divisions and is permanently fixed inside the indexer. Divisions of 2, 3, 4, 6, 8 and 12 can also be achieved by the use of the sub-plates, which can be installed quickly following these steps:

1. Open Rear Cover
2. Insert Plate
3. Close Cover
4. Loosen Locking Handle
5. Move Dividing Pin so as to separate it from the Master Plate.
6. Turn the Chuck. When the Master Plate and Sub Plate are aligned the Pin will lock into the slot automatically.
7. Fasten Locking Handle ready for machining.

REMARK: "Operation and Service Manual" is included for reference



SPECIFICATIONS

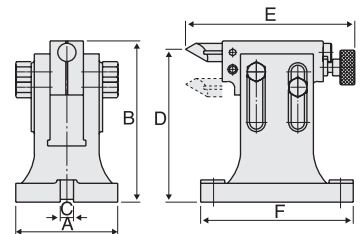
Model	DIRECT INDEXING	A	B	C	D	E	a	b	h	g	Diameter of hole(turret)	Weight (kg)
CC-6"	2,3,4,6	260	218	133	167	27	190	110	125	16	44	23
CC-8"	8,12,24	312	270	157	210	28	220	135	150	16	63	41



TAIL STOCK FOR CC, CS-TYPE

Model: TS-4, 5

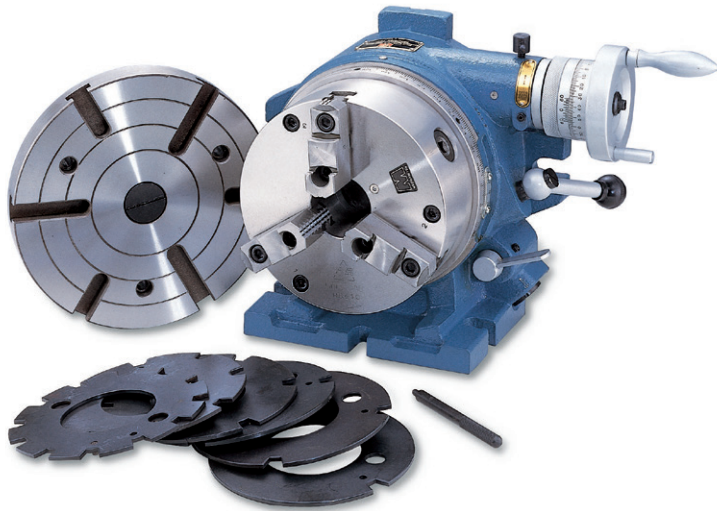
When using indexing spacers in vertical position, these Tail Stocks can be used to support the workpiece and ensure accurate alignment.



SPECIFICATIONS

Model	Suitable for	A	B	C	Center Height		E	F	Weight (kg)
					Max.	Min.			
TS-4	CC-6"/CS-6"	125	147	16	138	115	194	177	8.2
TS-5	CC-8"/CS-8"	123	194	16	170	130	204	184	8.6

Unit: mm

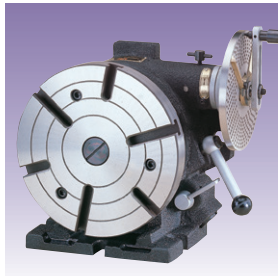


SUPER INDEXING SPACER

Model: CS-6", CS-8"

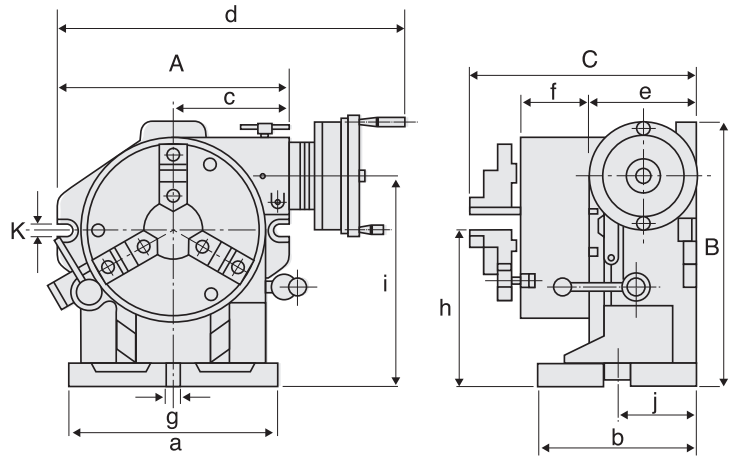
In addition to all of the features of the Simple Indexing Spacer, the Super Indexing Spacer incorporates a Worm Gear and is supplied with a Face Plate. With the further addition of the optional Dividing Plate Set, it can also be used as a Dividing Head. The WORM is hardened and precision ground to minimize the wear out of the WORM GEAR.

REMARK: "Operation and Service Manual" is included for reference



OPTIONAL ACCESSORIES:

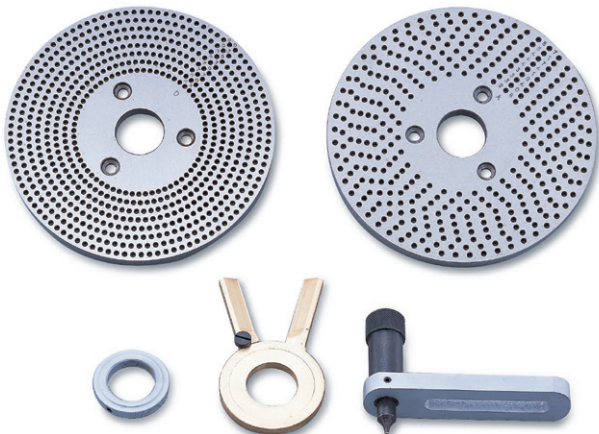
- **Tail Stock**
TS-4 for CS-6"
TS-5 for CS-8"
- **Dividing Plate Set**
DP-4 for CS-6"
DP-5 for CS-8"
- **3-Jaw Chuck**
6" 3-Jaw Chuck for CS-6"
8" 3-Jaw Chuck for CS-8"



SPECIFICATIONS

Unit: mm

Model	DIRECT INDEXING	A	B	C	a	b	c	Face plate	
								Outer diameter	Thickness
CS-6"	2, 3, 4, 6, 8, 12, 24	250	244	190	190	140	117	203	50
CS-8"		310	295	212	225	160	142	258	58
Model	d	e	f	g	h	i	j	k	Weight (kg)
CS-6"	420	97	65	16	130	198	84	18	35
CS-8"	460	108	76	16	160	245	95	18	70



DIVIDING PLATE SET

Model: DP-4, 5

NUMBER OF HOLES:

DP-4, 5

A Plate..... 26, 28, 30, 32, 34, 37, 38, 39, 41, 43, 44, 46, 47, 49, 51, 53, 57, 59

B Plate..... 61, 63, 67, 69, 71, 73, 77, 79, 81, 83, 87, 89, 91, 93, 97, 99

DP-4 for CS-6"

DP-5 for CS-8"

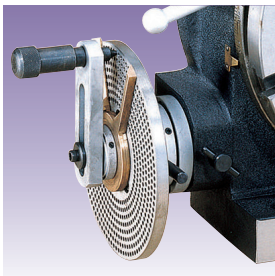
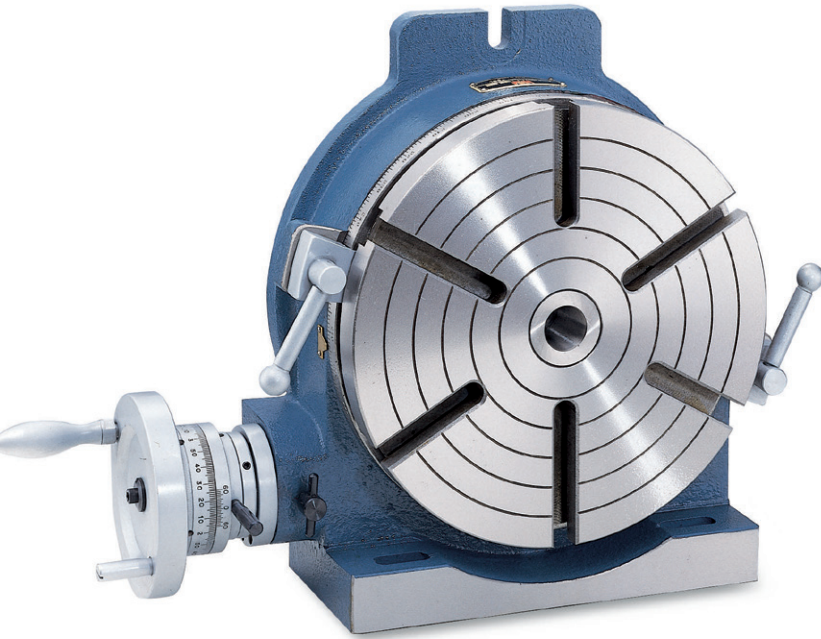
HORIZONTAL / VERTICAL ROTARY TABLE

Model: HHV-150, 200, 250, 300, 350, 400

The work table is graduated 360 degrees around its circumference and is driven by a precision Worm and Gear providing a 90:1 reduction ratio. One turn of the Handle moves the Table through 4 degrees. The dial is graduated in divisions of 1 min. and the vernier scale allows readings down to 10 seconds.

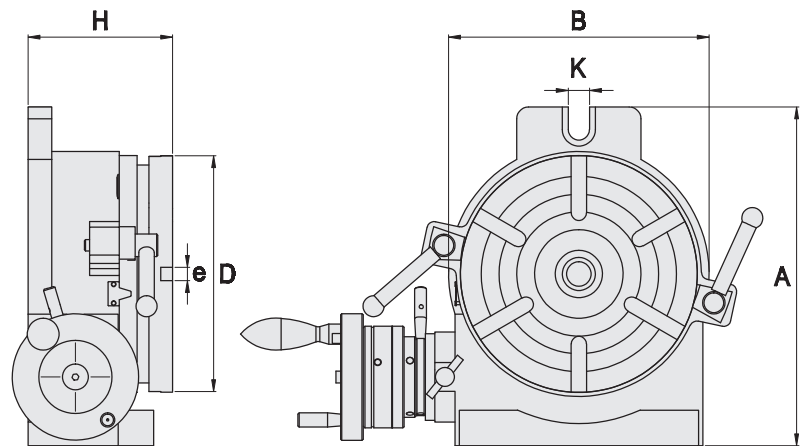
- The Worm is hardened and precision ground to minimize wear out of the WORM GEAR.
- Both the upper and the lower surface of the ROTARY PLATES are precision ground.

REMARK: "Operation and Service Manual" is included for reference



OPTIONAL ACCESSORIES:

- Tail Stock
- Dividing Plate Set
- 3-Jaw Chuck



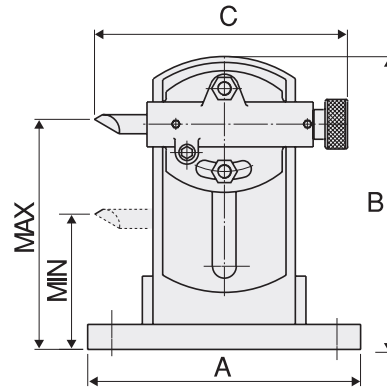
SPECIFICATIONS

Unit: mm

Model	Table		Base dimension		Bolt slots	T-SLOT		Center sleeve	Worm gear ratio	Vertical Load Weight	Horizontal Load Weight	Weight (kg)
	D	H	A	B		e	Type					
HHV-150	150	92	220	160	18	11	⊕	90 : 1	20	39	13	
HHV-200	200	120	310	225	18	13	⊗		44	87	29	
HHV-250	250	120	320	280	18	13	⊗		62	123	41	
HHV-300	300	140	410	325	18	16	⊗		98	195	65	
HHV-350	350	140	460	380	18	16	⊗		147	294	98	
HHV-400	400	140	510	435	18	16	⊗		195	390	130	

TAIL STOCK Model: TS-1, 2, 3

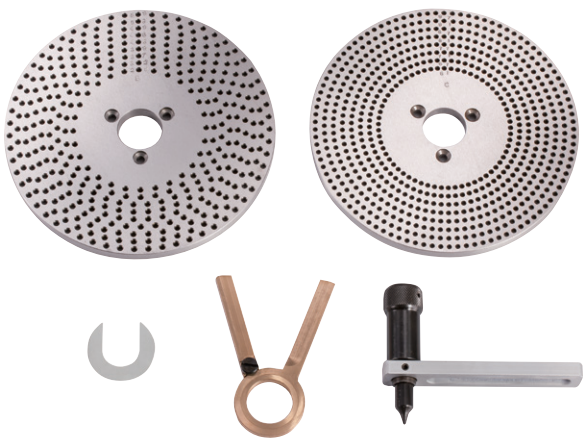
This TAIL STOCK can be used for accurate centering when the Rotary Table is used in vertical position.



SPECIFICATIONS

Unit: mm

Model	Suitable for	A	B	C	Center Height		Weight (kg)
					Max	Min	
HHV-150TS	HHV-150	127	110	166	113	100	5
TS-1	HHV-200 / HHV-250	230	247	210	190	110	13
TS-2	HHV-300	230	280	210	220	140	15
TS-3	HHV-350 / HHV-400	230	330	210	264	184	17



DIVIDING PLATE SET Model: DP-1, 2, 3

The DIVIDING PLATE SET is consist of 2 Indexing Plates, a Sector and a Handle with Plunger. Using this DIVIDING PLATE SET, the indexing of 2 to 100 divisions can be attained quickly and accurately.

NUMBER OF HOLES:

DP-1 A Plate / 15, 16, 17, 18, 19, 20

B Plate / 21, 23, 27, 29, 31, 33

C Plate / 37, 39, 41, 43, 47, 49

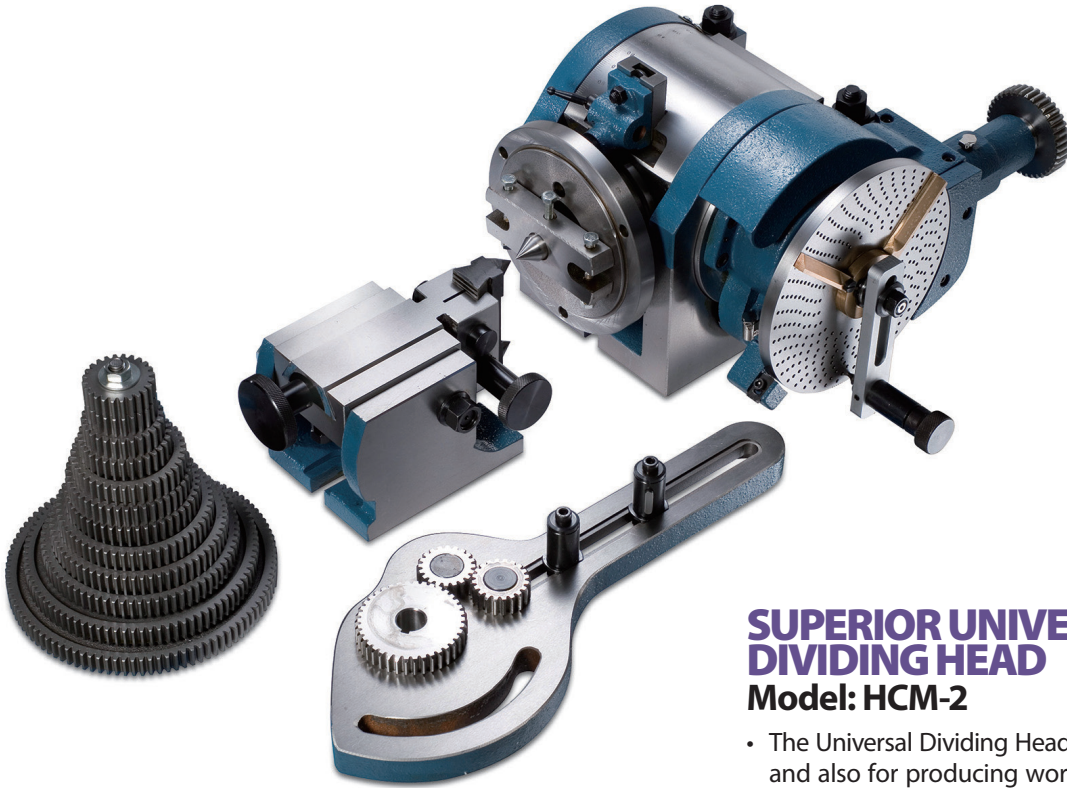
DP-2, 3 A Plate / 26, 28, 30, 32, 34, 37, 38, 39, 41, 43, 44, 46, 47, 49, 51, 53, 57, 59

B Plate / 61, 63, 67, 69, 71, 73, 77, 79, 81, 83, 87, 89, 91, 93, 97, 99

SPECIFICATIONS

Unit: mm / inch

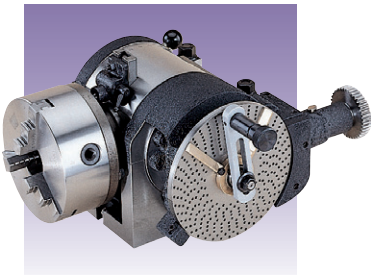
Model	Suitable for	Dividing plate set screw	Inner diameter of sector arm		Outer diameter of spring clip		Grove width in handle plate		Weight (kg)
DP-1	HHV-150	PCD. $\frac{32}{1.26} \varnothing$	21	0.83	18	0.71	9	0.03	2.5
DP-2	HHV-200, 250	PCD. (3holes) $\frac{53}{2.09}$	29	1.14	23	0.91	10	0.39	4
DP-3	HHV-300, 350, 400	PCD. (3holes) $\frac{62.5}{2.46}$	33	1.30	-	-	12	0.48	4



SUPERIOR UNIVERSAL DIVIDING HEAD

Model: HCM-2

- The Universal Dividing Head can be used for Simple Dividing and also for producing worms, by changing gears and gear quadrant. A particular feature of the HOMGE design is the 55.5mm through bore and MT6 taper. Furthermore, the unit can also be tilted from 0 to 90 degrees.
- The Spindle, Worm and Gear are made of a high grade steel, hardened and ground for high accuracy and durability.
- The Tail Stock is designed with a dovetail construction for high rigidity and can be adjusted in each direction to achieve the correct alignment.
- The Worm and Gear provide a reduction ratio of 40:1 and the unit is supplied with a double sided Dividing Plate.
- Providing divisions on face A of 24, 25, 28, 30, 34, 37, 39, 41, 42 & 43 and on face B of 46, 47, 49, 51, 53, 54, 57, 58, 59, 62 & 66.
- The Change Gears supplied are 24, 28, 32, 38, 40, 44, 48, 56, 64, 72, 86 & 100 Teeth. Thus, a very wide and comprehensive range of indexing is achievable.
- Each Universal Dividing Head is supplied complete with center, carrier, change gear quadrant, set of change gears, Tail Stock and Dividing Plate.

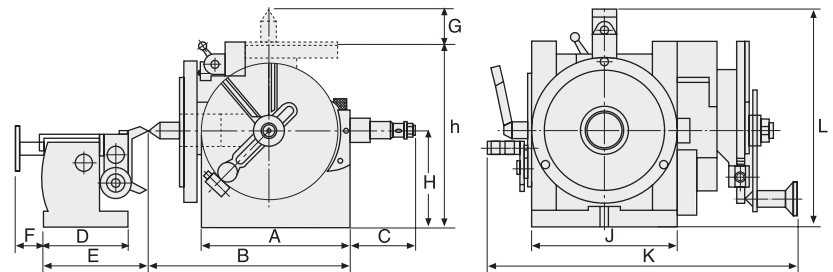


OPTIONAL ACCESSORY:

- 7" 3-Jaw Chuck

Center Height of Tail Stock

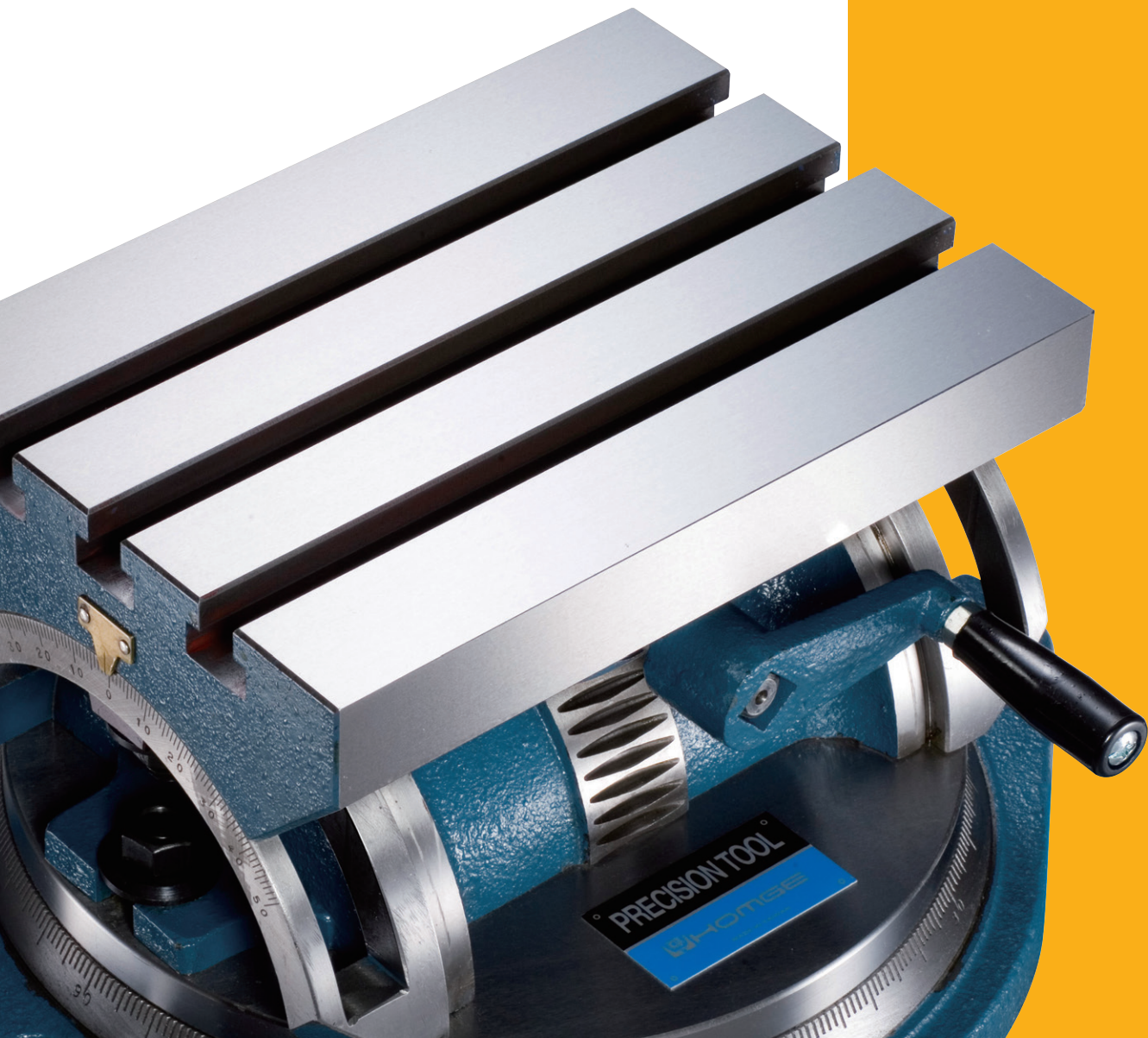
Max. 165 mm
Min. 38 mm



SPECIFICATIONS

Model	A		B		C		D		E		F		G	
HCM-2	245	921/23	335	133/16	152	6	166	617/32	198	725/32	50	115/16	52	21/16
Model	H		h		J		K		L		Weight (kg)			
HCM-2	143	55/8	285	117/32	194	75/8	465	185/16	265	107/16	132			

ANGLE FIXTURES

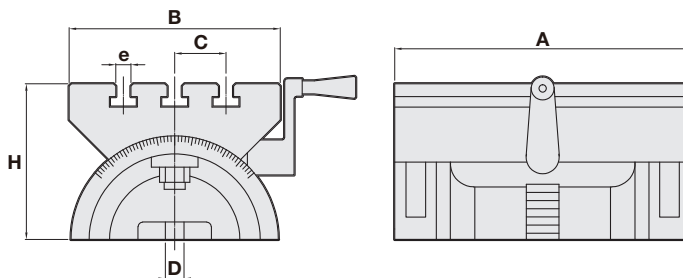




TILTING TABLE

Model: HAP-180, 250, 380, 600

- Worm and Crank Handle for easy adjustment
- Adjustable 43-45 degrees
- Angle markings are accurate and easy to read
- Swivel Base available



SPECIFICATIONS

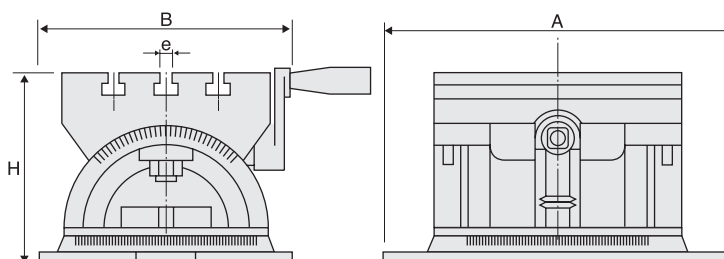
Unit: mm

Model	A	B	C	D	H	T-SLOT	Weight (kg)
						e	
HAP-180	181	130	33	13	92	12	7.5
HAP-250	254	181	44	16	131	13	22.5
HAP-380	380	253	66	16	181	16	69
HAP-600	600	310	82	18	211	18	132



TILTING TABLE with SWIVEL BASE

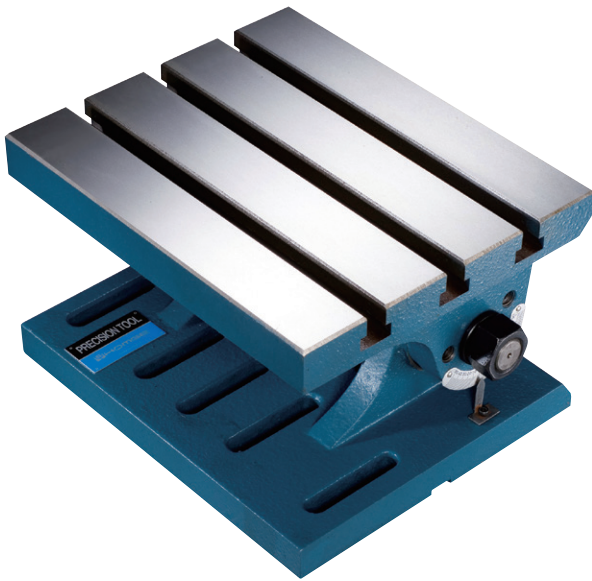
Model: HAP-180S, 250S, 380S



SPECIFICATIONS

Unit: mm

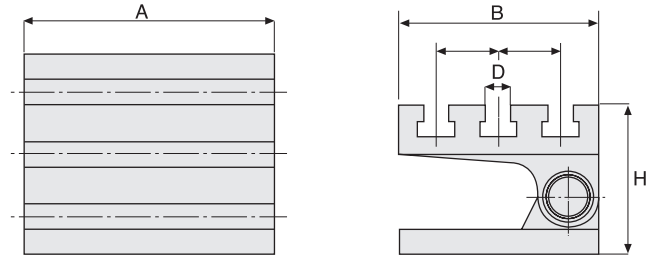
Model	B	A	H	T-SLOT	Weight (kg)
				e	
HAP-180S	220	265	135	12	12
HAP-250S	305	350	185	13	40
HAP-380S	436	490	240	16	100



TILTING ANGLE PLATE

Model: HSAP-1, 2, 3, 4

These Tilting Angle Plates are available in a range of sizes. They are designed primarily for simple, quick angle adjustment and angle setting on Drilling and Milling Machines.



SPECIFICATIONS

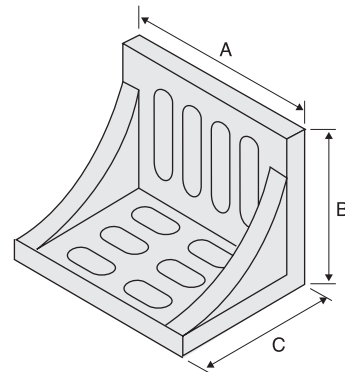
Unit: mm

Model	A	B	C	D	H	Weight (kg)
HSAP-1	204	154	46	13	116	12
HSAP-2	256	204	64	16	170	26
HSAP-3	306	254	68	16	193	45
HSAP-4	386	308	80	16	210	78



SLOTTED ANGLE PLATE (PRECISION GROUND)

Model: HL-4", 6", 8", 10", 12"



SPECIFICATIONS

Unit: mm / inch

Model	A	B	C	Weight (kg)
HL-4"	4½"	3½"	3"	2
HL-6"	6"	5"	4½"	3.5
HL-8"	8"	6"	5"	7
HL-10"	10"	8"	6"	12
HL-12"	12"	9"	8"	25



MILLING ATTACHMENTS



RIGHT ANGLE MILLING HEAD

Model: R8, NT-30, NT-40

- Precision berel gear
- Rigid design
- Quick and simple to fit and detach
- Weight: R8 / 13kgs, NT30 / 13kgs, NT40 / 21kgs



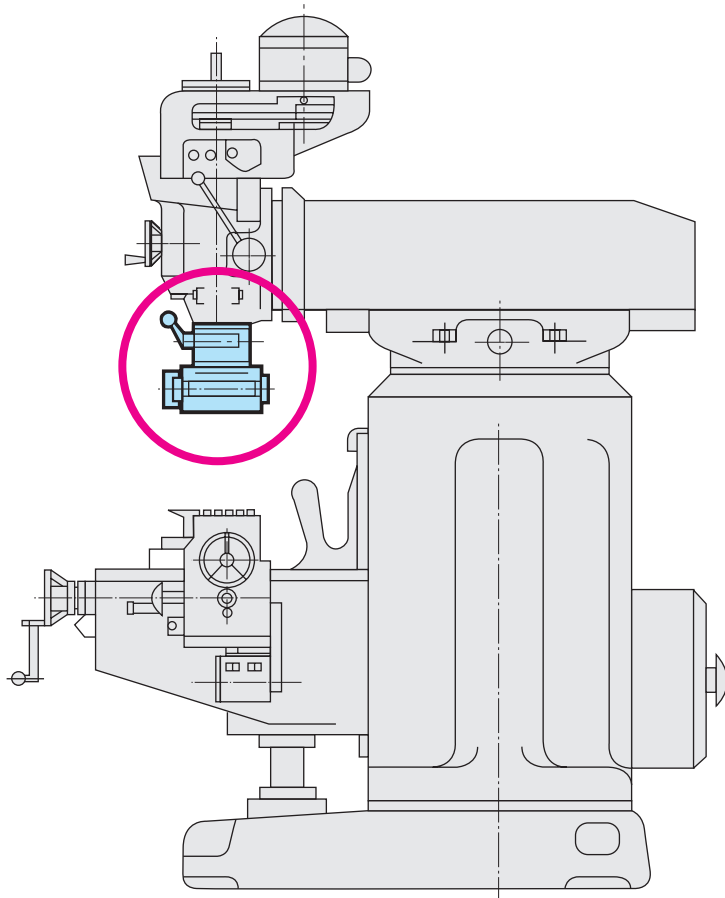
HORIZONTAL MILLING ATTACHMENT

(Right Angle Milling Head+Arbor+Support)

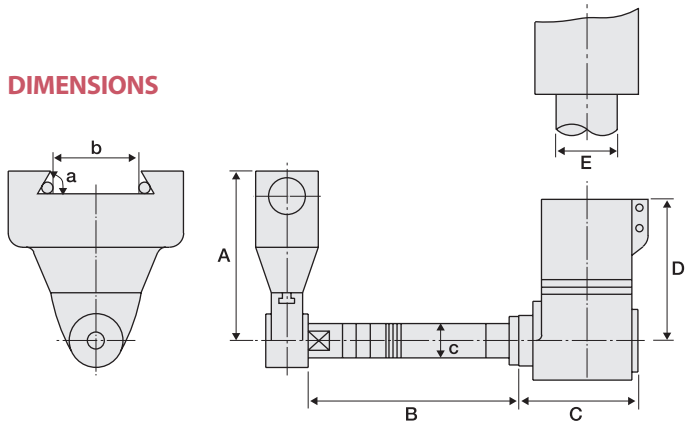
Model: R8, NT-30, NT-40

Arbor (1" or 25mm or 27mm)
Support (Dove Tial 50 or 60)

- Weight: R8 / 25kgs, NT30 / 30kgs, NT40 / 32kgs



DIMENSIONS



SPECIFICATIONS

Unit: mm

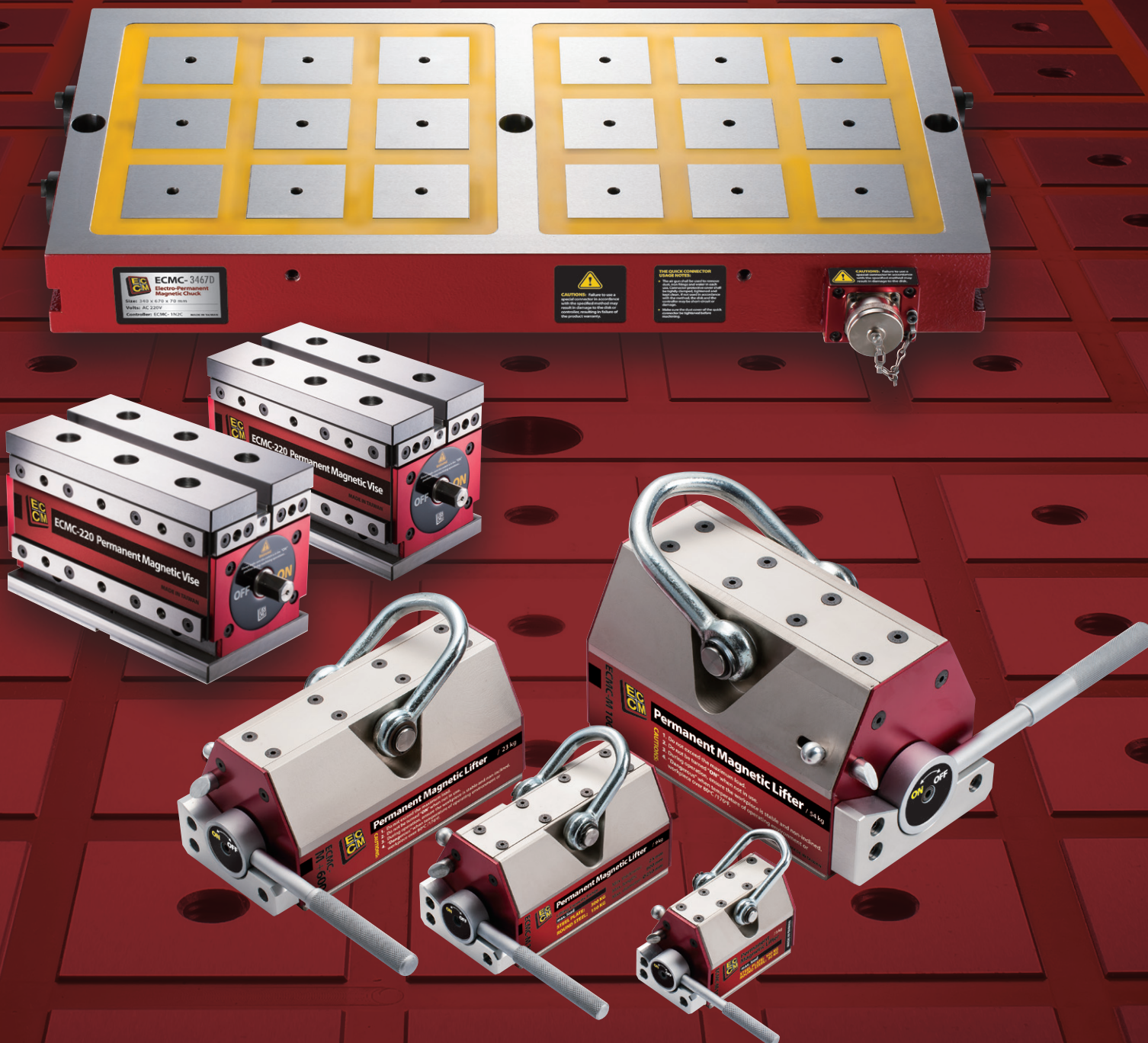
Model	A	B	C	D	E
R-8	225	230	137	180	85.725~86
NT-30	225	230	155	173	85.725~86
NT-40	225	230	185	178	85.725~115

SPECIFICATIONS

a	Suitable M/C Ran devotion width (b)	c
50°	140~170	1" or 27mm
55°	140~170	1" or 27mm
60°	140~170	1" or 27mm

PERMANENT MAGNETIC SERIES:

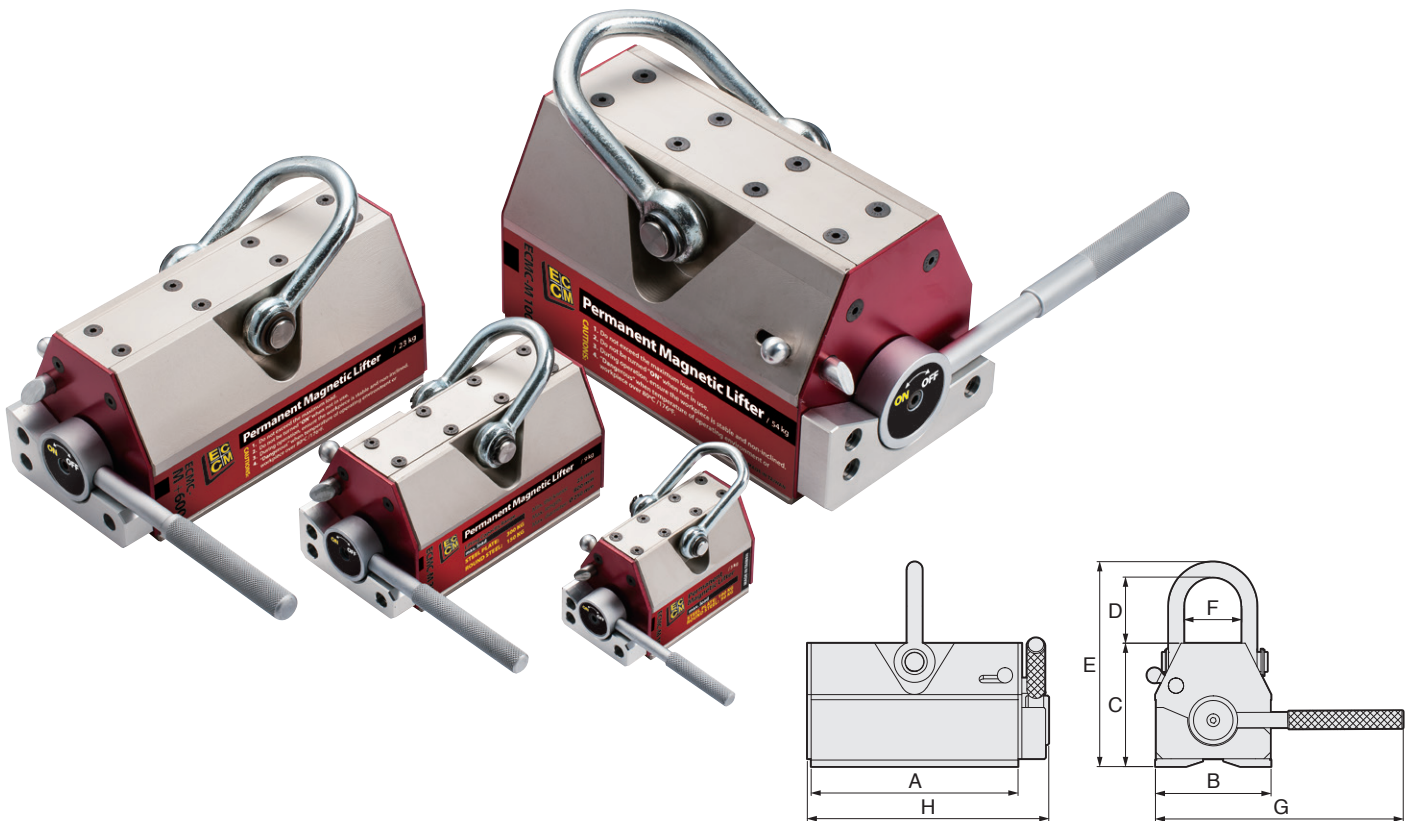
- Electro-Permanent Magnetic Chuck
- Electro-Permanent Magnetic Column
- Electro-Permanent Magnetic Index Table
- Permanent Magnetic Vise
- Permanent Magnetic Lifter



PERMANENT MAGNETIC LIFTER

Model: ECMC-M 100, M 300, M+600, M 1000, M 2000

- Made of permanent Neodymium magnet, no electricity, no power outage risk.
- The safety factor is 3.5 times. Permanent Magnetic Lifter provides strong and stable magnetic force with easy operation and increase productivity.
- The special V-type design at the bottom of Permanent Magnetic Lifter can lift the steel plate and round steel...etc.
- Suitable for moving workpiece and molds that made of magnetic material steel, iron and cast iron. Applicable areas: Steel industries, foundries, fabrication factories, shipyards and transport industries.



SPECIFICATIONS

Unit: mm / inch

Model	A		B		C		D		E		F		G		H		Safety factor	Weight	
	mm	inch	mm	inch	mm	inch	mm	inch	mm	inch	mm	inch	mm	inch	kg	lbs			
ECMC-M 100	90	3.5	60	2.4	75	3	46	1.8	130	5.1	32	1.3	136	5.4	116	4.6	× 3.5	3	6.6
ECMC-M 300	161	6.3	90	3.5	96	3.8	51	2	160	6.3	45	1.8	193	7.6	189	7.4		9	19.8
ECMC-M+600	234	9.2	120	4.7	123	4.8	74	2.9	213	8.4	64	2.5	261	10.3	263	10.4		23	50.6
ECMC-M 1000	269	10.6	170	6.7	170	6.7	94	3.7	285	11.2	100	3.9	376	14.8	301	11.9		54	118.8
ECMC-M 2000	390	15.4	216	8.5	215	8.5	105	4.1	348	13.7	121	4.8	512	20.2	432	17		121	266.2

Model	Steel Plate Max. load		Min. thickness		Round Steel Max. load		Ø Max. diameter		Max. length	
	kg	lbs	mm	inch	kg	lbs	mm	inch	mm	inch
ECMC-M 100	100	220	15	0.6	50	110	150	5.9	500	19.7
ECMC-M 300	300	660	25	1	150	330	250	9.8	800	31.5
ECMC-M+600	600	1320	30	1.2	300	660	350	13.8	1200	47.2
ECMC-M 1000	1000	2200	40	1.6	500	1100	450	17.7	1500	59
ECMC-M 2000	2000	4400	55	2.2	1000	2200	550	21.7	1800	70.9



ELECTRO-PERMANENT MAGNETIC CHUCK

ECMC- A, B, C, D Series



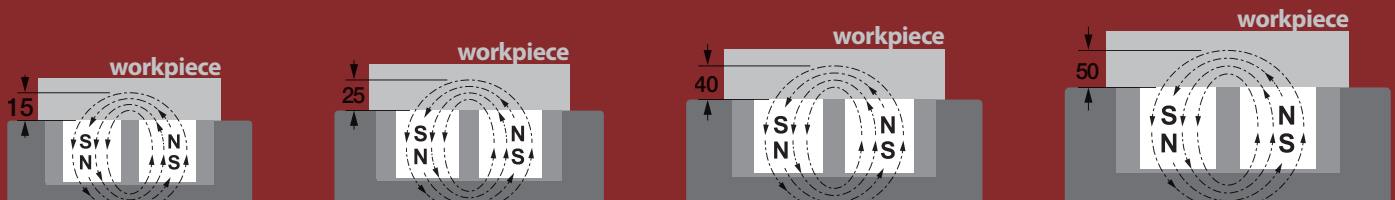
Features:

1. Electro-Permanent Magnetic Chuck structure design, use the natures of different permanent magnetic materials, through electronic control system control and convert the distribution of internal magnetic circuit, magnetize the magnetic disk (i.e. in tight clamping state), and demagnetize (i.e. in loose state).
2. Magnetization and demagnetization time is only 3~12 seconds. After completion, it does not need to continuously supply power to produce safe and strong magnetic force. It does not have the problem with temperature rise. It can last for a long time. The maintenance is easy. No repair is needed. It is both economic and environment friendly.
3. Shorten workpiece installation time, fast mold change, save work time, increase productivity.
4. Strong and stable magnetic force, assure tight fastening of workpiece, high processing precision.

Use and Applicable Areas:

1. General cutting and processing for all kinds of iron parts, rapid mold change, suitable for CNC vertical computer milling machine and horizontal computer milling machine, general milling machine precision machining; the Electro-Permanent Magnetic Chuck is highly mobile, suitable for any machine.
2. Workpiece thickness requirement
ECMC-A Series: above 15mm
ECMC-B Series: above 25mm
ECMC-C Series: above 40mm
ECMC-D Series: above 50mm
3. As workpiece is clamped, strongest magnetic force is achieved when the contact is from more than 4 magnetic poles.
4. Magnetic pole dimensions 50 x 50mm, suitable for general cutting and processing for small and medium workpiece.
5. Magnetic pole dimensions 70 x 70mm, suitable for general cutting and processing for medium and large workpiece.
6. Work with various magnetic soft jaws and moveable spring pads, flexible adjustment and configuration according to processing needs.

Magnetic Amplitude & Workpiece Thickness



ECMC- A Series

Magnetic Pole: 35x35mm
 Magnetic amplitude 15mm
 Suitable for small workpiece

ECMC- B Series

Magnetic Pole: 50x50mm
 Magnetic amplitude 25mm
 Suitable for medium workpiece

ECMC- C Series

Magnetic Pole: 70x70mm
 Magnetic amplitude 40mm
 Suitable for medium to large workpiece

ECMC- D Series

Magnetic Pole: 91x91mm
 Magnetic amplitude 50mm
 Suitable for large workpiece

ECMC-CONTROLLER

for Electro-Permanent Magnetic Chuck
 Electro-Permanent Magnetic Column
 Electro-Permanent Magnetic Index Table



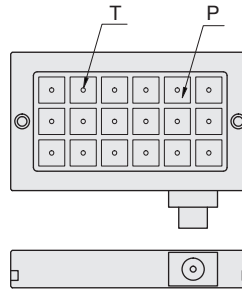
SPECIFICATIONS

Unit: mm

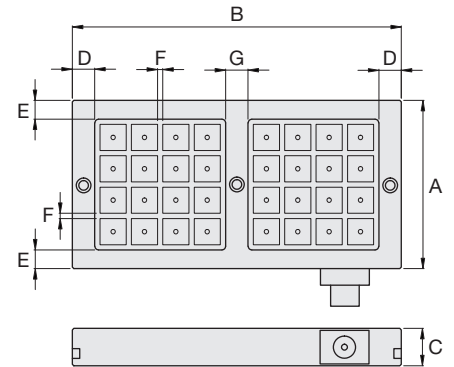
Model	VOLTAGE (Single Phase)	Dimensions			Weight (kg)
		W	L	H	
1N1C	AC 220V/AC380V ~ 440V	192	280	130	4.1
1N2C					4.1
1N3C					4.1
1N4C					4.1

ECMC-A Series

Pole Size: 35x35mm



Model length 320mm



Model length above 440mm

SPECIFICATIONS POLE SIZE:35x35mm, MAGNETIC FORCE: 580 ± 5% kgf/49cm² (4 POLES)

Unit: mm

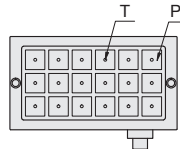
Model - A	A	B	C	D	E	F	G	POLE P	NO. OF POLE	T	Net weight (KG)	Voltage (Single phase)	Controller (Included)
ECMC-1530	185	320	52	30.5	26	7	-	35X35	18	M6	23	AC 220V ~ 440V	1N1C
ECMC-2340	225	440		30	25		30		32		39		1N1C
ECMC-2560	225	610		31	25		30		48		54		1N2C
ECMC-3131	310	320		30.5	25.5		-		36		39		1N1C
ECMC-3140	310	440		30	25.5		30		48		53		1N2C
ECMC-3160	310	610		31	25.5		30		72		74		1N2C
ECMC-4344	435	440		30	25		30		72		75		1N2C
ECMC-4350	435	525		30.5	25		30		90		90		1N4C
ECMC-4359	435	610		31	25		30		108		104		1N4C

We Accept Order for customized specifications.

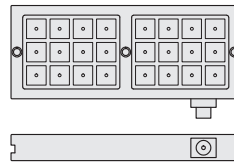


ECMC-B Series

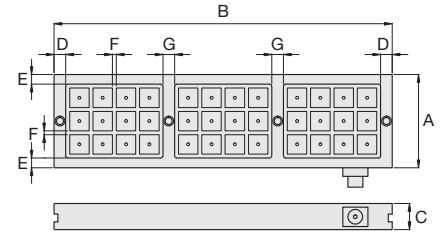
Pole Size: 50x50mm



Model length 300~400mm



Model length 600mm



Model length above 800mm

SPECIFICATIONS POLE SIZE: 50x50mm, MAGNETIC FORCE: 1250±5% kgf/100cm² (4 POLES)

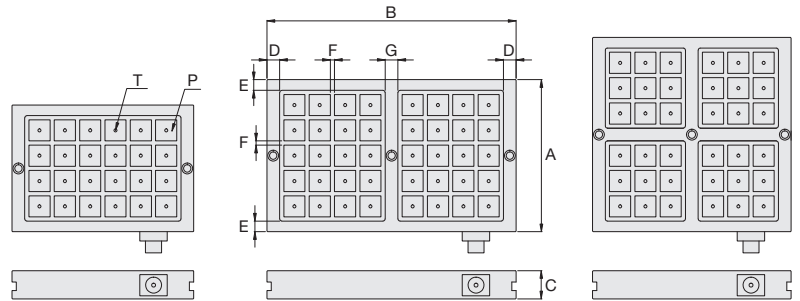
Unit: mm

MODEL - B	A	B	C	D	E	F	G	POLE P	NO. OF POLE	T	N.W. (KG)	Voltage (Single phase)	Controller (Included)	Voltage (Single phase)	Controller (Included)
ECMC-1919	180	180	62	25			-		4		16		1N1C		1N1C
ECMC-2525	240	250	62				-		9		29		1N1C		1N1C
ECMC-2531	240	310	62				-		12		36		1N1C		1N1C
ECMC-2543	240	430	62				-		18		52		1N1C		1N1C
ECMC-2550	240	490	62				-		21		57		1N1C		1N1C
ECMC-2559	240	590	62				30		24		71		1N1C		1N1C
ECMC-2582	240	810	62				30		33		95		1N1C		1N1C
ECMC-2587	240	870	62				30		36		101		1N1C		1N1C
ECMC-2599	240	990	62				30		42		115		1N2C		1N2C
ECMC-3031	300	310	62				-		16		46		1N1C		1N1C
ECMC-3043	300	430	62				-		24		63		1N1C		1N1C
ECMC-3059	300	590	62				30		32		85		1N1C		1N1C
ECMC-3082	300	810	62				30		44		120		1N2C		1N2C
ECMC-3087	300	870	62				30		48		127		1N2C		1N2C
ECMC-3099	300	990	62				30		56		143		1N2C		1N2C
ECMC-4343	420	430	62	30	25	10	-	50X50	36	M8	87	AC 220V	1N1C	AC 380V ~ 440V	1N1C
ECMC-4349	420	490	62				-		42		102		1N2C		1N2C
ECMC-4359	420	590	62				30		48		120		1N2C		1N2C
ECMC-4382	420	810	62				30		66		164		1N2C		1N2C
ECMC-4387	420	870	62				30		72		175		1N2C		1N2C
ECMC-4399	420	990	62				30		84		200		1N3C		1N3C
ECMC-4959	480	590	62				30		56		131		1N2C		1N2C
ECMC-4982	480	810	66				30		77		206		1N3C		1N3C
ECMC-4987	480	870	66				30		84		219		1N3C		1N3C
ECMC-4999	480	990	66				30		98		245		1N3C		1N3C
ECMC-5959	600	590	66				30		72		184		1N2C		1N2C
ECMC-6082	600	810	66				30		99		242		1N3C		1N3C
ECMC-6087	600	870	66				30		108		269		1N3C		1N3C
ECMC-5999	600	990	66				30		126		307		1N4C		1N4C
ECMC-7582	750	810	66		40		30		121		305		1N4C		1N4C



ECMC-C Series

Pole Size: 70x70mm



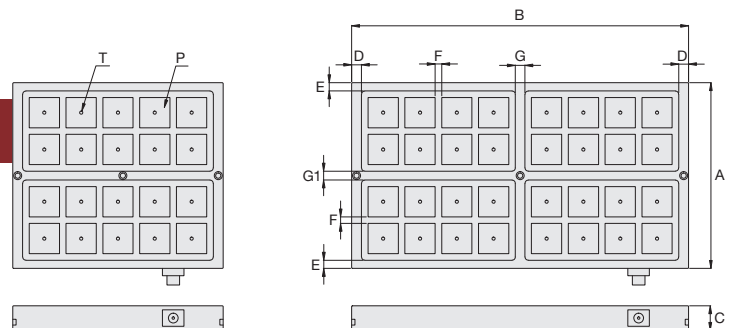
SPECIFICATIONS POLE SIZE:70x70mm, MAGNETIC FORCE: 2800 ± 5% kgf/196cm² (4 POLES)

Unit: mm

MODEL - C	A	B	C	D	E	F	G	POLE P	NO. OF POLE	T	N.W. (KG)	Voltage (Single phase)	Controller (Included)	Voltage (Single phase)	Controller (Included)
ECMC-34677	340	670	70	30	25	20	30	70X70	18	M10	126	AC 220V	1N2C	AC 380V ~ 440V	1N1C
ECMC-4353C	430	530	70				-		20		126		1N2C		1N1C
ECMC-43677	430	670	70				30		24		159		1N2C		1N1C
ECMC-43857	430	850	70				30		32		202		1N4C		1N2C
ECMC-52678	520	670	80				30		40		279		1N2C		1N2C
ECMC-52858	520	850	80				30		36		280		1N4C		1N2C
ECMC-66678	660	670	80				30		48		354		1N4C		1N2C
ECMC-66858	660	850	80				30		64		451		1N8C		1N4C
ECMC-84858	840	850	80				30								

ECMC- D Series

Pole Size: 91x91mm



Model length 640mm

Model length above 800mm

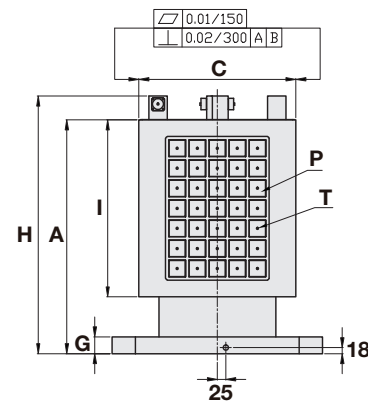
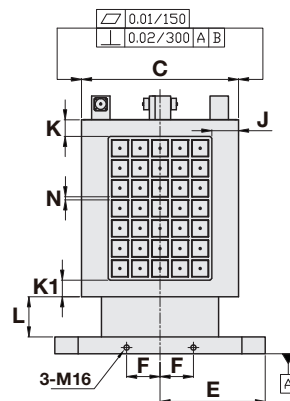
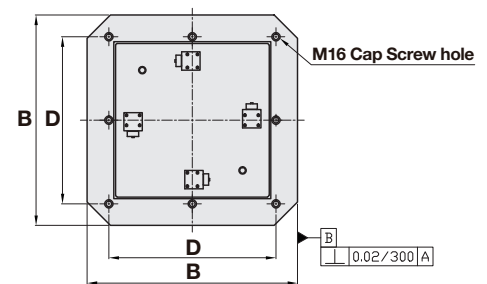
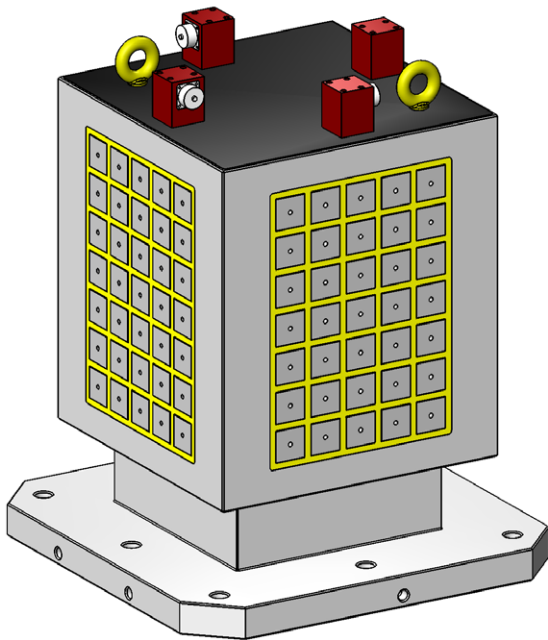
SPECIFICATIONS POLE SIZE: 91x91mm, MAGNETIC FORCE: 4800 ± 5% kgf/338cm² (4 POLES)

Unit: mm

MODEL - D	A	B	C	D	E	F	G	G1	POLE P	NO. OF POLE	T	N.W. (KG)	Voltage (Single phase)	Controller (Included)
ECMC-5959	565	640	75	30	25	20	-	27	91X91	20	M10	214	AC 380V ~ 440V	1N2C
ECMC-59100	565	1025					29			32		343		1N2C
ECMC-59130	565	1250					30			40		418		1N4C
ECMC-8080	790	800					28			36		374		1N4C
ECMC-82100	790	1025					29			48		480		1N4C
ECMC-82130	790	1250					30			60		585		1N4C

M/C SQUARE ELECTRO-PERMANENT MAGNETIC COLUMN

- Applicable to all kinds of horizontal computer processing machine.
- Magnetic force as high as 1250kgf/100cm² ± 5%. (4 magnetic poles)
- Able to provide five-sided processing, effectively save the processing time, improve processing efficiency.
- Workpiece thickness requirement above 25mm.



SPECIFICATIONS

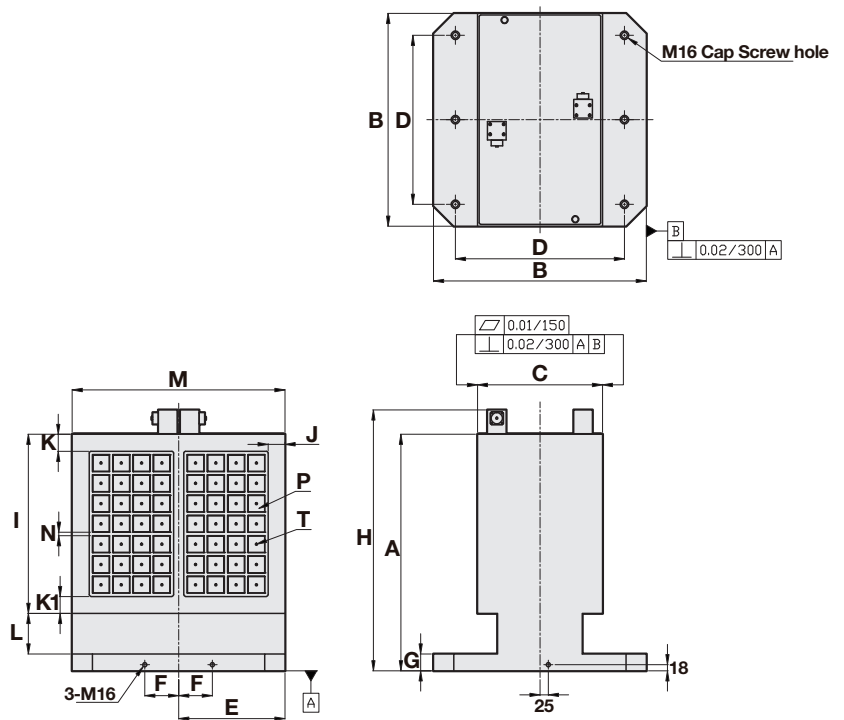
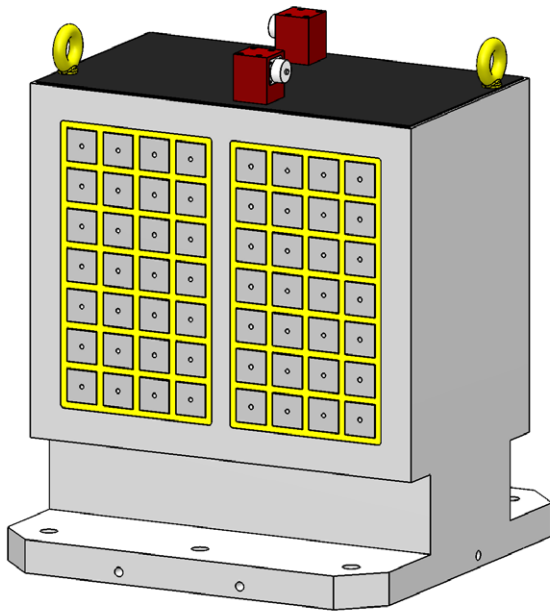
Unit: mm

Model	A	B	C	D	E	F	G	H	I	J	K	K1	L	Magnetic surface	N
ECMC-HSF-400	500	400	370	320	200	55	50	571	330	60	40	40	120	330X370	10
ECMC-HSF-500	620	500	470	400	250	75	50	710	450	50	40	40	118	450X470	
ECMC-HSF-630	700	630	470	500	315	100	50	771	530	80	50	50	120	530X470	
ECMC-HSF-800	800	800	620	640	400	135	50	871	630	65	70	70	120	630X620	

Model	T	P	Number of magnetic pole	Total magnetic force (single side) kgf±5%	Weight (kg)	Voltage	Controller (Included)	Voltage	Controller (Included)
ECMC-HSF-400	M8	50X50	16X4	5000	390	AC 220V	1N1C	AC 380V ~ 440v	1N1C
ECMC-HSF-500			36X4	11200	510		1N1C		1N1C
ECMC-HSF-630			35X4	10900	760		1N1C		1N1C
ECMC-HSF-800			64X4	20000	1380		1N2C		1N2C

M/C DOUBLE-SIDED ELECTRO-PERMANENT MAGNETIC COLUMN

- Applicable to all kinds of horizontal computer processing machine.
- Magnetic force as high as 1250kgf/100cm² ± 5%. (4 magnetic poles)
- Able to provide five-sided processing, effectively save the processing time, improve processing efficiency.
- Workpiece thickness requirement above 25mm.



SPECIFICATIONS

Unit: mm

Model	A	B	C	D	E	F	G	H	I	J	K	K1	L	M	Magnetic surface	N
ECMC-HDF-400	500	400	270	320	200	55	50	571	370	45	30	30	80	400	370X400	10
ECMC-HDF-500	600	500	320	400	250	75	50	690	430	35	30	30	118	500	430X500	
ECMC-HDF-630	700	630	370	500	315	100	50	771	530	50	50	50	120	630	530X630	
ECMC-HDF-800	800	800	420	640	400	135	50	871	650	75	50	50	100	800	650X800	

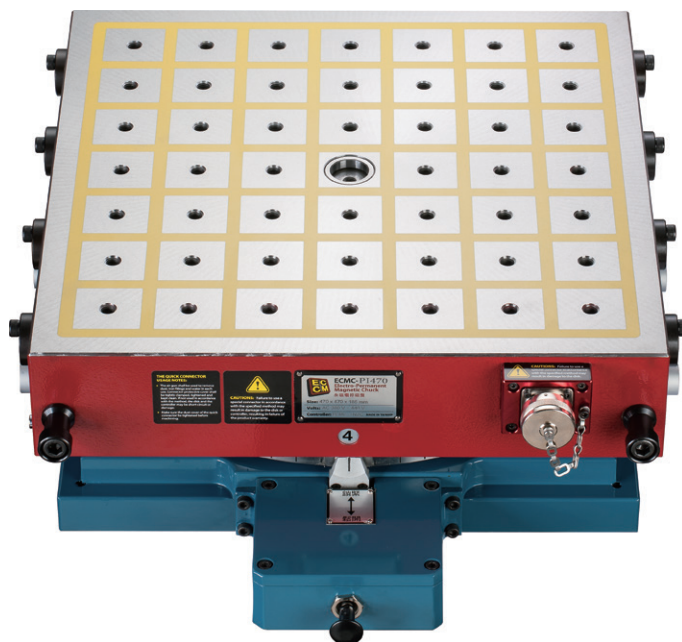
Model	T	P	Number of magnetic pole	Total magnetic force (single side) kgf±5%	Weight (kg)	Voltage	Controller (Included)	Voltage	Controller (Included)
ECMC-HDF-400	M8	50X50	25X2	7800	310	AC 220V	1N1C	AC 380V ~ 440v	1N1C
ECMC-HDF-500			42X2	13100	480		1N2C		1N2C
ECMC-HDF-630			56X2	17500	700		1N2C		1N2C
ECMC-HDF-800			90X2	28100	1150		1N3C		1N3C

ELECTRO-PERMANENT MAGNETIC INDEX TABLE



Features:

- Special pneumatic cylinder design, as massive load is on disk, it reduces friction and assures high accuracy and repeatability.
- Coupling gear is made of high quality bearing steel, high rigidity, high precision, accuracy does not change with the hours of use.
- Magnetic force as high as $1250 \pm 5\% / 100\text{cm}^2$ (4 magnetic poles).
- No need to continuously supply power when in use, no wire interference, no temperature rise, good for continued use in a long time.
- Magnetic force is adjustable.
- Strong tightening device, heavy load cutting.



Applicable Range:

- Most suitable for boring bed, milling machine, surface grinder, precision division.
- Workpiece thickness requirement above 10mm.
- Holding workpiece requires contact from at least 4 magnetic poles.
- Provide five-sided processing, one time processing step.

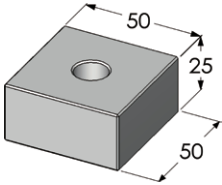
SPECIFICATIONS

Model		ECMC-PI300	ECMC-PI470	ECMC-PI600	ECMC-PI800
1	Length x Width	300X300mm	470X470mm	600X600mm	800X800mm
2	Height	188	185	229	304
3	Drive mode	Vertical	Pressure 5 ~ 8kgs/cm ²		
		Turning	Manual		
4	Theoretical maximum vertical load value	1200	2400	3400	4500
5	Allowable load weight (kg)	500	1000	2000	3000
6	Equal division	2,3,4,6,8,12,24	2,3,4,6,8,9,12,18,24,36,72		
7	Disk turning direction	Clockwise and counterclockwise			
8	Division degree	15°/mark	5°/mark		
9	Weight (kg)	110	235	462	993
10	Magnetic pole dimensions	50X50 mm			
11	Number of magnetic pole	16	48	72	144
12	Total magnetic force kgf $\pm 5\%$	5000	15000	22500	45000
13	Voltage (single phase)	AC 220V			
14	Controller	1N1C	1N2C	1N2C	1N4C
15	Voltage (single phase)	AC 380V ~ 440V			
16	Controller	1N1C	1N2C	1N2C	1N4C

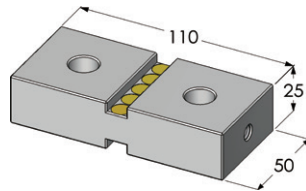
OPTIONAL ACCESSORIES

(For Pole Size: 50x50mm)

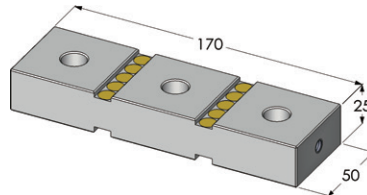
Magnetic Soft Jaws
ECMC-MSJ125B



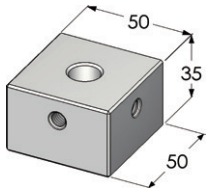
ECMC-MSJ225B



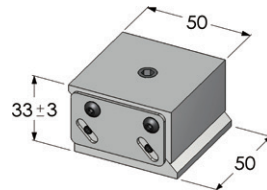
ECMC-MSJ325B



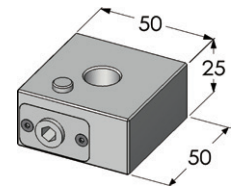
Fixed Soft Jaws
ECMC-FSJ50B



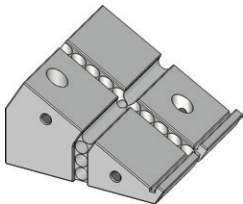
Moveable Spring Pads
ECMC-MSP50B



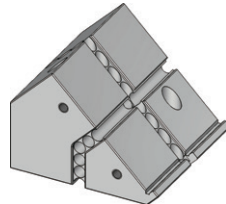
Top Pin Soft Jaws
ECMC-TP50B



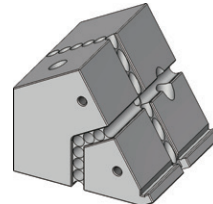
Magnetic Angle Soft Jaws
30°
ECMC-ANG30B



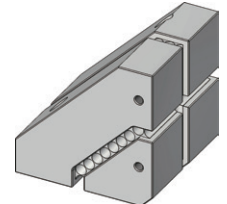
45°
ECMC-ANG45B



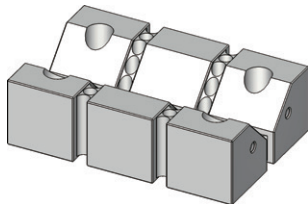
60°
ECMC-ANG60B



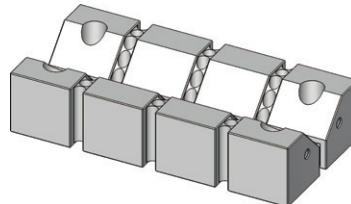
90°
ECMC-ANG90B



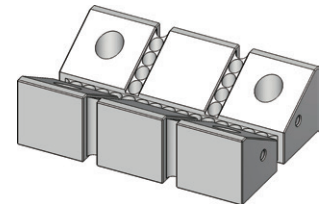
Magnetic Angle Soft V Jaws
90° (3)
ECMC-ANG90V3B



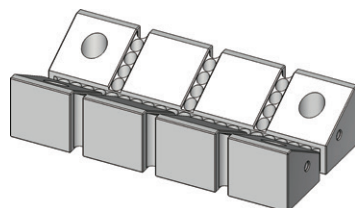
90° (4)
ECMC-ANG90V4B



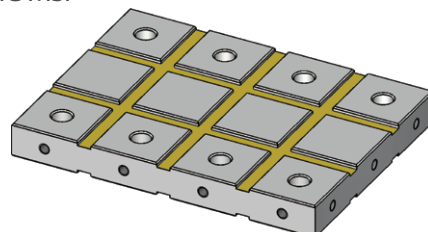
120° (3)
ECMC-ANG120V3B



120° (4)
ECMC-ANG120V4B



Magnetic Angle Soft V Jaws
ECMC-MSP



PERMANENT MAGNETIC VISE

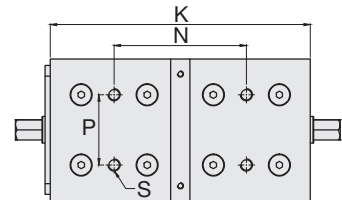
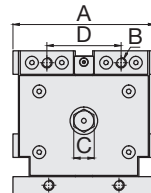
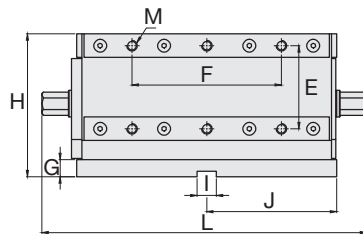
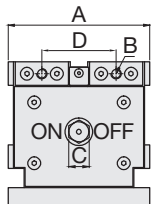
Model: ECMC-220, 130

- Suitable for the magnetic material processing
- Quick clamping the workpiece and provide five-sided processing
- Work with various magnetic soft jaws, flexible adjustment and configuration according to processing needs



STANDARD ACCESSORIES:

- 2 pcs of Stopping Block
- 4 pcs of Clamp
- 1 pc of Handle
- 2 pcs of Alignment Wedge



SPECIFICATIONS

Unit: mm

Model	A	B	C	D	E	F	G	H	I	J	K	L
ECMC-220	133	M10	19	69.5	78	140	15	134	18	122	244	305
ECMC-130	108	M8	13	56.5	62	95	12	108	18	99	198	230

Model	M	N	P	S	Holding magnetic force	Minimum workpiece thickness requirement	Weight (kg)
ECMC-220	M10	124	66	M12	2100kgf±5%	30	39
ECMC-130	M8	100	48	M10	1200kgf±5%	20	20

Application Example:

